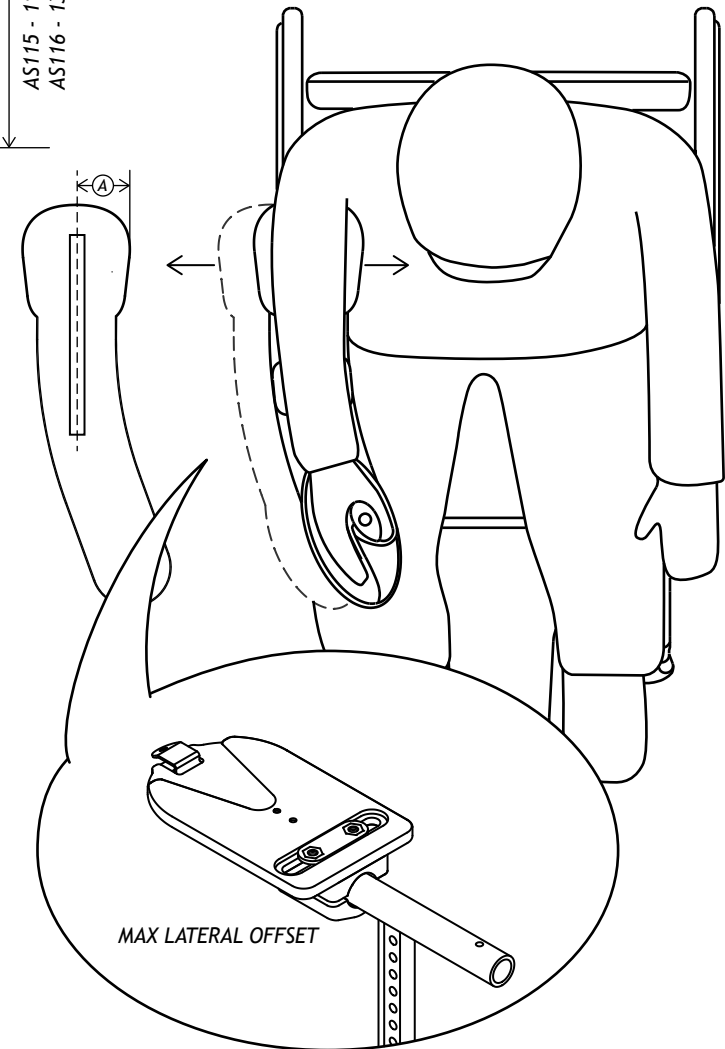
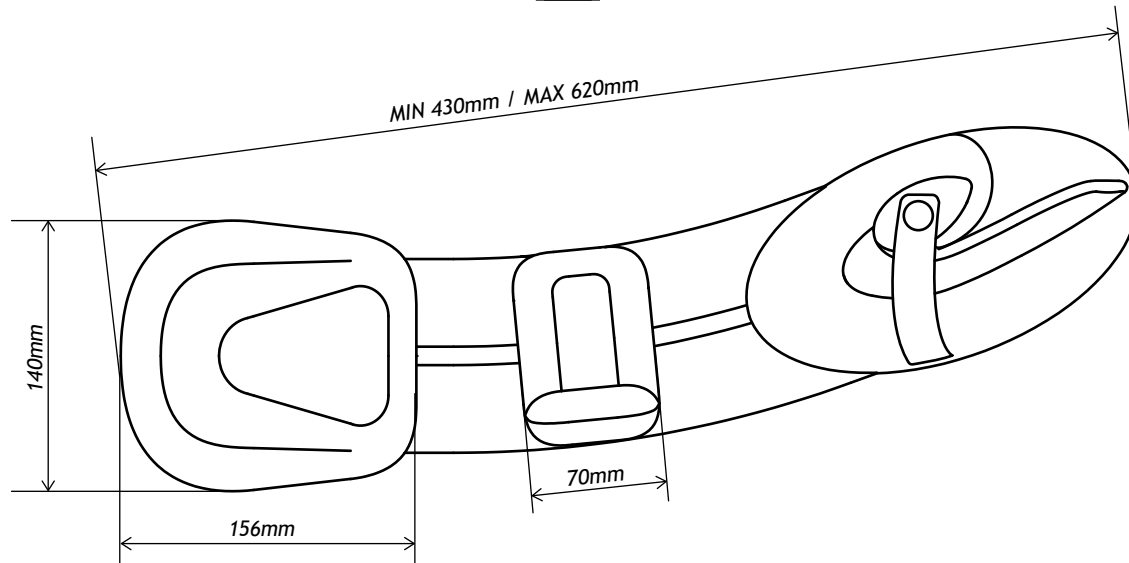


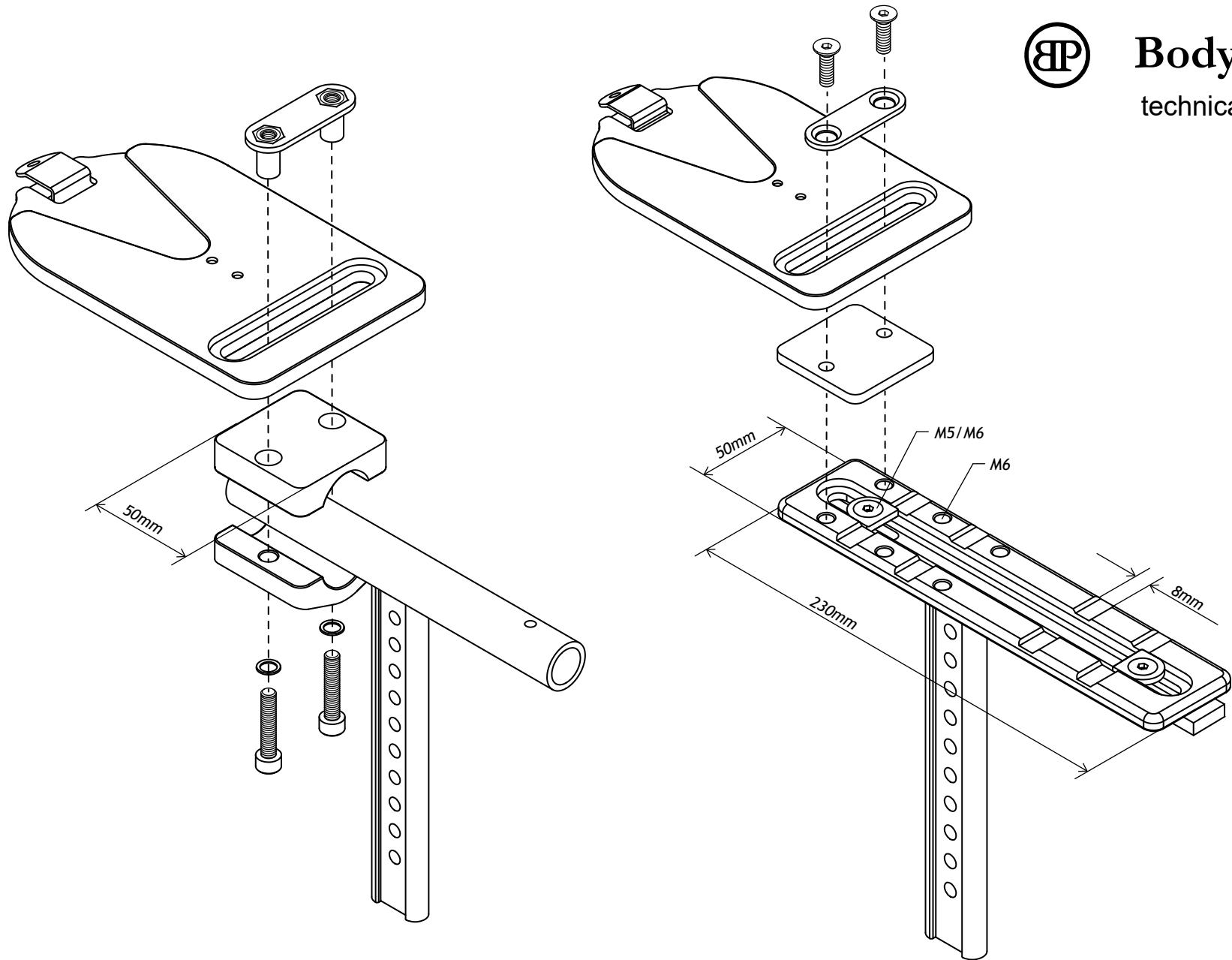
Ⓐ MIN 52mm / MAX 88mm  
FROM TUBE CENTERLINE



description

**DYNAMIC ARM SUPPORT, TECHNICAL BULLETIN**

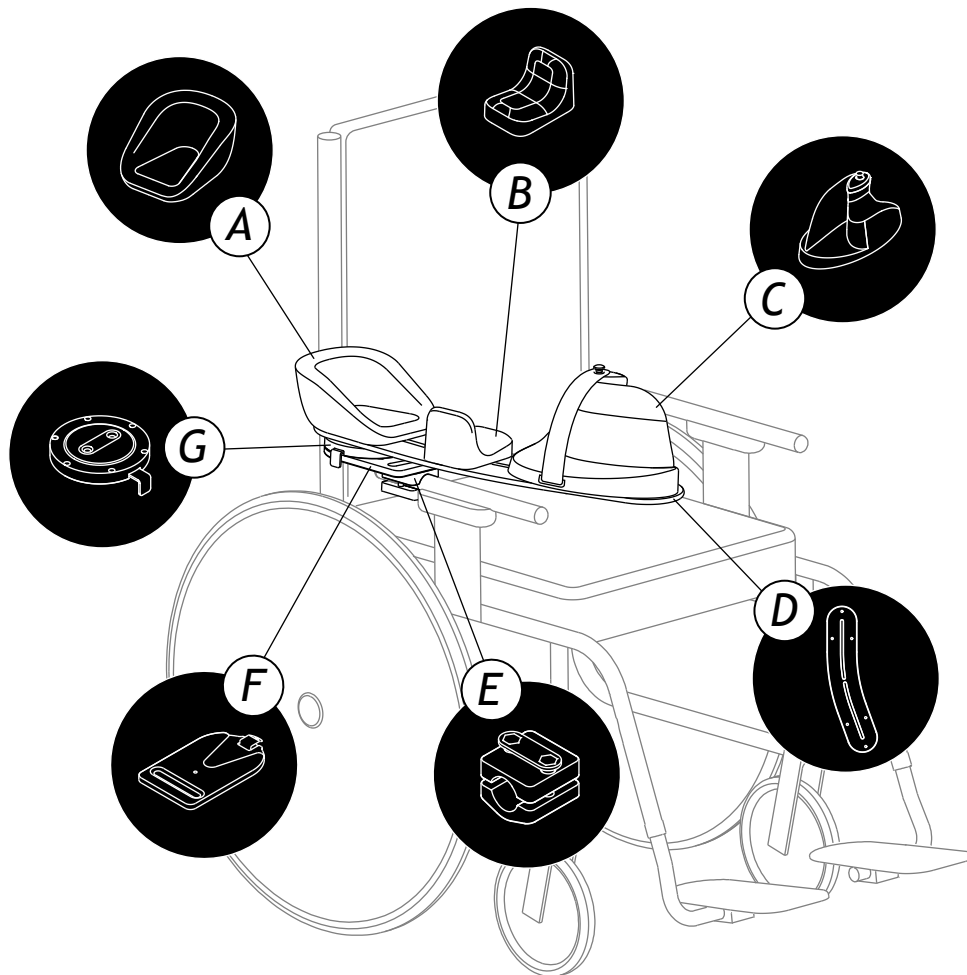
drawing no.	date originated	drawn by	page	rev.
D22-1006-20	10/06/2022	K.DURANT	1/3	C.00



description

***DYNAMIC ARM SUPPORT, TECHNICAL BULLETIN***

drawing no. <b>D22-1006-20</b>	date originated <b>10/06/2022</b>	drawn by <b>K.DURANT</b>	page <b>2/3</b>	rev. <b>C.00</b>
-----------------------------------	--------------------------------------	-----------------------------	--------------------	---------------------



### COMPONENTS & MATERIALS

A	SELF-SKINNED POLYURETHANE FOAM
B	SELF-SKINNED POLYURETHANE FOAM
C	MOLDED POLYURETHANE
D	ALUMINUM, MACHINED & POWDER COATED
E	ALUMINUM, MACHINED & ANODIZED
F	ALUMINUM, MACHINED & ANODIZED
G	ALUMINUM/DELRIN/STAINLESS STEEL, MACHINED
FASTENERS	STAINLESS STEEL OR PLATED STEEL

description

### *DYNAMIC ARM SUPPORT, TECHNICAL BULLETIN*

drawing no.	date originated	drawn by	page	rev.
<b>D22-1006-20</b>	<b>10/06/2022</b>	<b>K.DURANT</b>	<b>3/3</b>	<b>C.00</b>