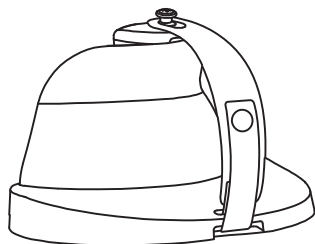


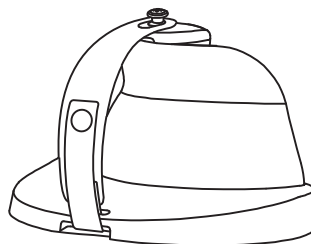
Dynamic Arm Support

Assessment Kit Contents

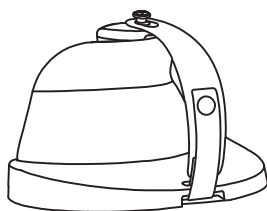
ART NOS.: AS001



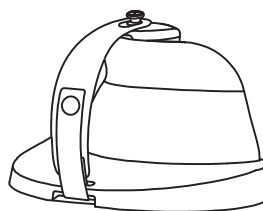
AS116L



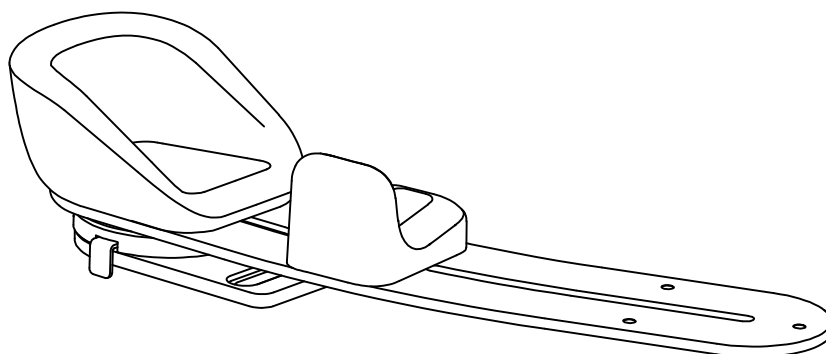
AS116R



AS115L



AS115R



AS200R



BP Bodypoint®

558 1st Avenue South
Suite 300
Seattle, WA 98104, USA

EC REP

Bodypoint Europe BV
Kerkstraat 29
7396 PG Terwolde, NL

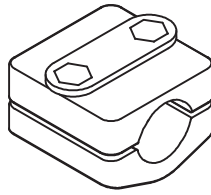


206.405.4555
800.547.5715



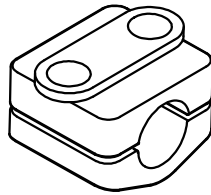
www.bodypoint.com





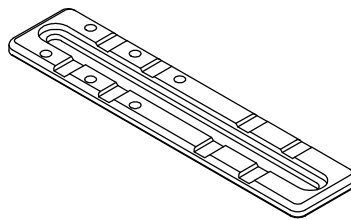
AS118

Ø22/25mm [7/8"/1"]



AS119

Ø19mm [3/4"]



 M6x20mm			 M5x35mm
 M6x35mm			 M5
 M6	 M5	 M6	

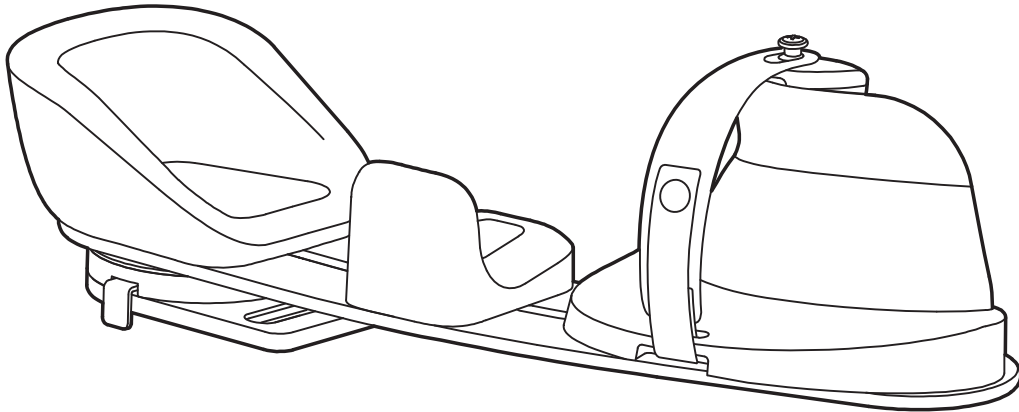
AS120

Dynamic Arm Support

ART NOS.: AS201L, AS201R, AS202L, AS202R, AS200L, AS200R

INSTALLATION AND USER'S INSTRUCTIONS

These instructions provide important information for the safe use and maintenance of Bodypoint® Arm Supports. Give these instructions to the user or their caregiver.



INTENDED USE:

The Dynamic Arm Support is a dynamic, mobile support for the elbow, forearm, and hand that attaches to a manual or power wheelchair. It provides upper extremity support, functional dynamic range of motion at the shoulder, and an innovative, flexible hand support that promotes hand function and helps to minimize flexor tone and contractures.

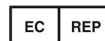
This product includes modular components that can be adjusted for a customized orthotic fit. A pivot mechanism allows users to exercise the shoulder in a functional, dynamic range of motion. The flexible hand support helps to position the wrist, hand and fingers in neutral alignment and minimize flexor tone and contractures.

This product is designed to be mounted on a variety of wheelchair models with height adjustable armrests and can be easily removed for transfers by utilizing the quick-release function. To ensure the best clinical outcome, users should consult with a qualified healthcare professional before using the product.



Bodypoint®

558 1st Avenue South
Suite 300
Seattle, WA 98104, USA



Bodypoint Europe BV
Kerkstraat 29
7396 PG Terwolde, NL



206.405.4555
800.547.5715



www.bodypoint.com



⚠WARNING! This product should be installed and fitted by a qualified rehab technician.

⚠WARNING! This product should only be used for positioning a person's arms in a wheelchair. The misuse of this product is unauthorized and unsafe.

⚠WARNING! The user's arm must be positioned properly in the Arm Support. A poorly adjusted Arm Support could allow the user's arm to slip out and dislocate the shoulder or worsen hand flexor tone. Have your therapist or technician demonstrate its proper adjustment and use.

⚠WARNING! If the user's physical or cognitive abilities prevent them from safely operating this product, a caregiver must be always present during its use. Ensure that all caregivers know how to correctly operate the product.

⚠WARNING! This product may change the way a person sits. Continue to practice regular pressure relief activities and skin integrity checks. If increased skin redness or irritation occurs, discontinue use and consult your qualified healthcare professional.

⚠WARNING! Always monitor the user when the Pivot Plate is unlocked to rotate. The Pivot Plate should always be locked when driving the wheelchair or transporting it in a vehicle to prevent damage or injury that could result from striking doorways or other obstacles near the side of the chair.

⚠WARNING! When mounting, check that the Arm Support is securely locked into the Quick-Release Adapter Plate. The installer should hear an audible "click" sound.

⚠WARNING! If a serious incident occurs related to the use of this product, it should be reported to the manufacturer (Bodypoint, Inc.) and the local Competent Authority.

⚠WARNING! It is safest to transfer out of your wheelchair and into a manufacturer-installed vehicle seat, and use the vehicle's crash-tested occupant restraint system. Failure to use the appropriate equipment for restraint in a vehicle can result in serious injury or death.

PERIODIC SAFETY AND PERFORMANCE CHECKS:

To ensure user safety, this product must be checked periodically for function and signs of wear. If the product does not function correctly or if significant wear is found in the parts, stop using it and contact your supplier for qualified repair or replacement by Bodypoint®. Under no circumstance should this product be altered or repaired by unqualified persons.

CLEANING:

This product can be cleaned by wiping with disinfectant or a cloth soaked in warm water and soap. Dry with a towel or air dry. A mild disinfectant can be applied to the surface. For cleaning the Hand Strap, machine wash, hot, 60°C (140°F). Do not bleach. Tumble dry, low temperature, or drip dry. Do not iron.



SCRAP/DISPOSAL:

This product is made of materials which can be disposed of safely without special precautions at the end of its useful life.

WARRANTY:

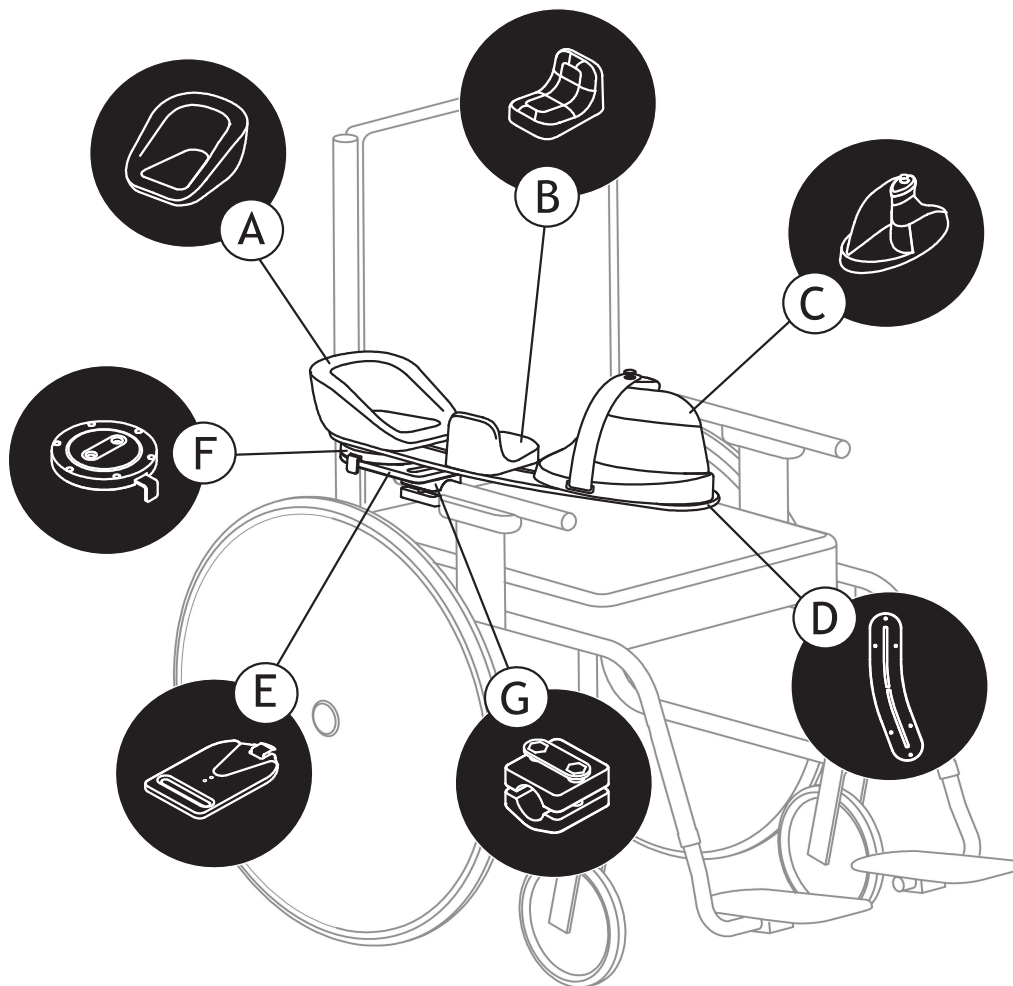
This product carries a limited lifetime warranty against defects in workmanship and materials arising under normal use by the original consumer. Contact your supplier or Bodypoint® for warranty claims. For more information on Bodypoint® products and information on distributors outside the USA go to www.bodypoint.com.

TOOLS REQUIRED

4mm Hex Key	3mm Hex Key For Optional Fine-Tuning the Quick-Release Latch
	

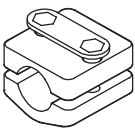
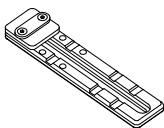
PACKAGE CONTENTS

A	B	C	D	E	F
Elbow Pad	Forearm Pad	Hand Block and Strap	Base Board	Quick-Release Adapter Plate	Pivot Plate

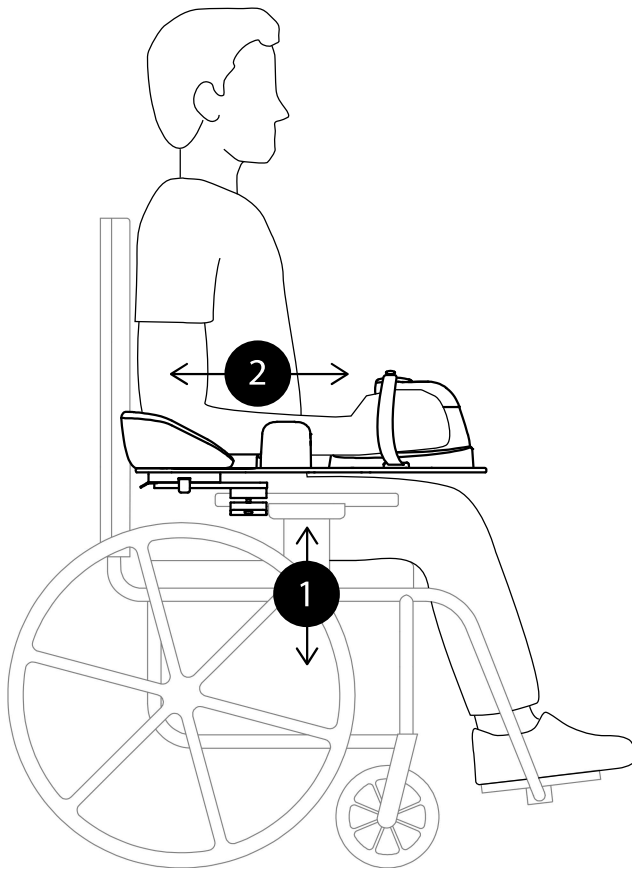


MOUNTING HARDWARE

OPTIONAL CLAMP OR PLATE SOLD SEPARATELY
ARMREST MOUNTING CLAMP SHOWN ABOVE

G	H
Armrest Mounting Clamps Compatible with $\varnothing 19\text{mm}$ [3/4"] or $\varnothing 22/25\text{mm}$ [7/8"/1"] Round Armrest Tubing	Armrest Mounting Plate Compatible with Flat Armrests
	

POSITIONING THE ARM SUPPORT FOR THE USER



1. Height

The use of a height-adjustable armrest is recommended for optimal positioning.

Adjust the height of the armrest to support the elbow for even pressure distribution of the arm without lifting the shoulder.

2. Depth

To adjust the Arm Support forwards or backwards, loosen the screws located on the armrest mounting hardware.

Slide the Arm Support forwards or backwards on the armrest into the correct position.

For more information see:
"ADDITIONAL FINE TUNING OF THE PIVOT PLATE: **ADDITIONAL DEPTH ADJUSTMENTS.**"

3. Lateral

To adjust the Arm Support closer or further away from the user, loosen the screws that attach the Quick-Release Adapter Plate to the armrest mounting hardware.

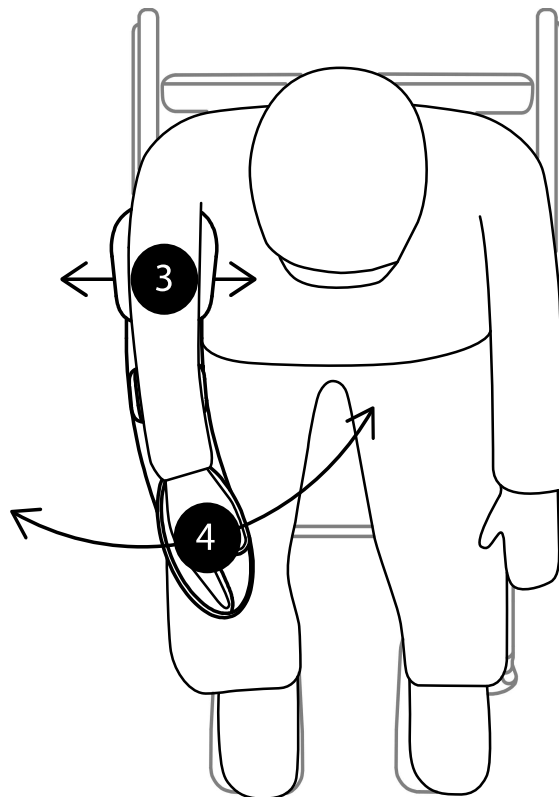
Slide the Arm Support inwards or outwards and securely re-tighten both screws.

4. Angle

The Pivot Plate allows a 60° range of internal to external rotation. To choose the angle of the Arm Support, pull out the Pivot Plate Tab and position the Arm Support.

Push the Pivot Plate Tab in to lock at the desired angle in 5° increments.

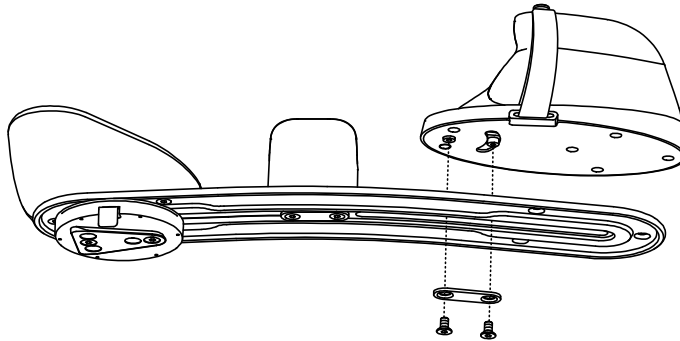
For more information see:
"ADDITIONAL FINE TUNING OF THE PIVOT PLATE: **ADDITIONAL INTERNAL AND EXTERNAL ROTATION LIMITS.**"



INSTALLING THE ARM SUPPORT

Prior to installation, remove the Quick-Release Receiver from the Arm Support. For more information see: *"USING THE QUICK-RELEASE ADAPTER PLATE."*

1. Mount the Quick-Release Receiver to the wheelchair armrest using optional armrest mounting hardware. Partially tighten the mounting screws to allow for adjustment. See instructions included with optional mounting hardware for details.

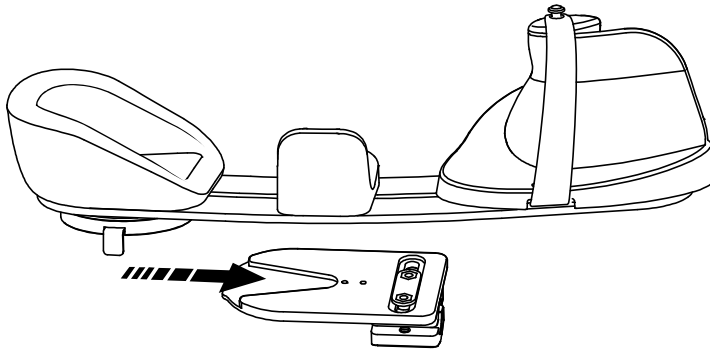


2. Mount the Hand Block to the Base Board using the Washer Plate and the included M6 screws (2).

Note: Do not fully tighten the screws until the final adjustments have been made to fit the user.

3. Slide the Arm Support into the Quick-Release Adapter Plate—the Quick-Release Latch should lock with an audible "click!"

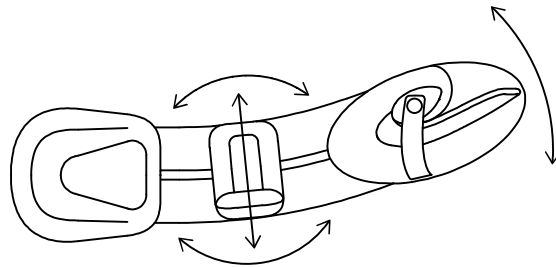
Note: The Quick-Release Latch can be adjusted to remove any play by loosening the M5 screws (2) on the bottom using a 3mm hex key. Push the Quick-Release Latch tightly against the back edge of the Quick-Release Wedge while retightening the screws to secure it in place.



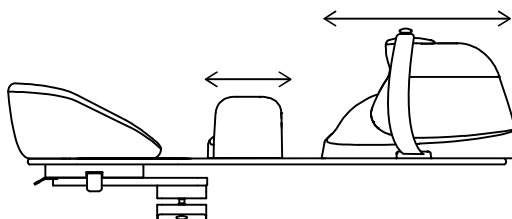
ADJUSTING THE FOREARM PAD AND HAND BLOCK

Begin by positioning the user's elbow in the Elbow Pad.

To adjust the Hand Block, loosen the M6 screws (2) and slide the Hand Block along the Base Board to prevent shifting of the user's forearm. Tighten the rear screw until it is snug, then adjust the angle of the Hand Block 0-30° to properly position the hand and wrist. Fully tighten both screws to secure the Hand Block in place.



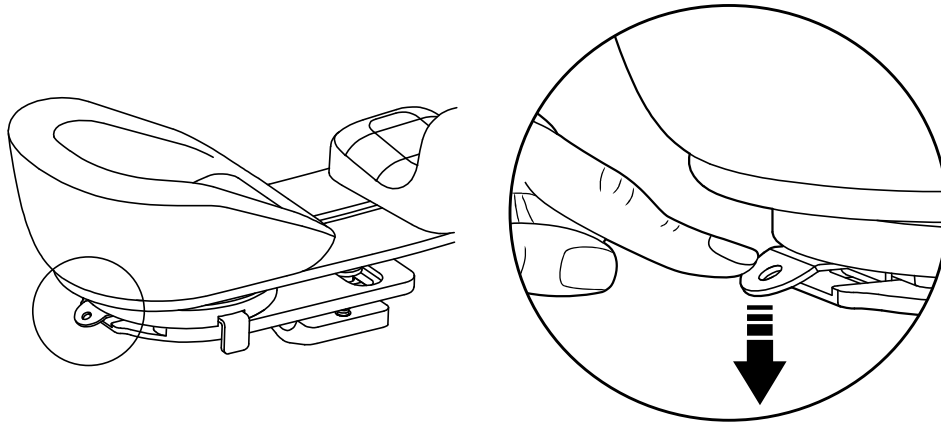
To adjust the Forearm Pad loosen the M6 screws (2) and slide the Forearm Pad along the Base Board to cradle the user's arm behind the wrist. It can be adjusted in or out, rotated, or reinstalled in the opposite direction to support or limit arm movement. Re-tighten the screws.



USING THE QUICK-RELEASE ADAPTER PLATE

Press down on the Quick-Release Latch to unlock for removal.

To reinstall, slide the Arm Support into the Quick-Release Receiver until it engages with an audible "click!"

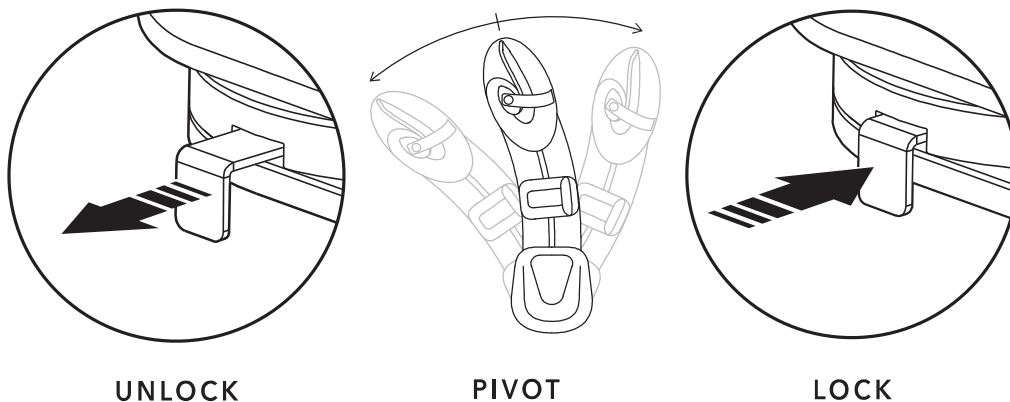


LOCKING/UNLOCKING THE PIVOT PLATE

The Arm Support can be unlocked to allow for dynamic movement or locked to maintain a fixed arm position.

To unlock, pull out the Pivot Plate Tab. The Arm Support can now rotate freely through a 60° internal-to-external range.

To lock, push in Pivot Plate Tab. The Arm Support can be locked in 5° increments.



UNLOCK

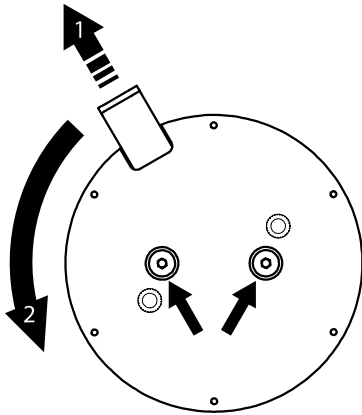
PIVOT

LOCK

⚠WARNING! Always monitor the user when the Pivot Plate is unlocked to rotate. The Pivot Plate should always be locked when driving the wheelchair or transporting it in a vehicle to prevent damage or injury that could result from striking doorways or other obstacles near the side of the chair.

ADDITIONAL FINE TUNING OF THE PIVOT PLATE

ADDITIONAL DEPTH ADJUSTMENTS



Additional adjustments can be made by repositioning the Pivot Plate up to 20mm forward on the Base Board.

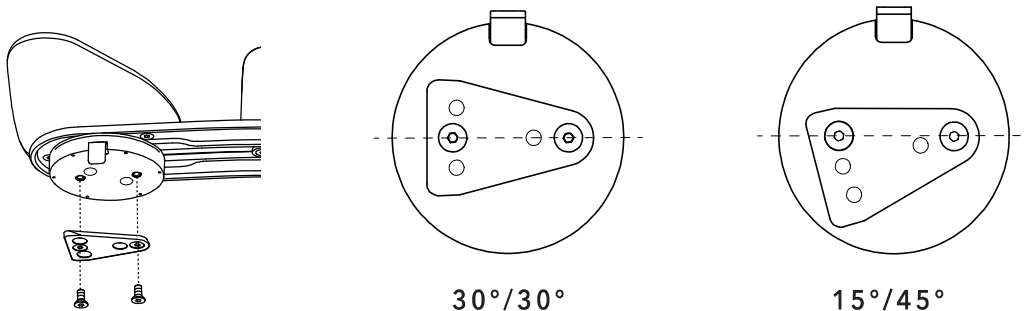
To access the mounting screws, remove the Quick-Release Wedge and pull out the Pivot Plate Tab to unlock and rotate it until the M6 mounting screws are visible through the two access holes.

Loosen both screws to slide the Pivot Plate forward, then fully re-tighten both screws and reattach the Quick-Release Wedge.

ADDITIONAL INTERNAL AND EXTERNAL ROTATION LIMITS

The standard setting of the Pivot Plate allows for 30° internal/30° external rotation from the neutral position (aligned with the armrest of the chair). This provides the same function whether installed on the right or left hand side.

Some users are capable of a greater range of internal arm rotation, which can be accommodated by repositioning the Quick-Release Wedge on the bottom of the Pivot Plate to allow 45° internal/15° external rotation.



SAFETY AND PERFORMANCE CHECKS

User must be seated in wheelchair before performing safety check.

1. NORMAL OPERATION

Check for any pinch-points or loose parts.

2. COMFORT

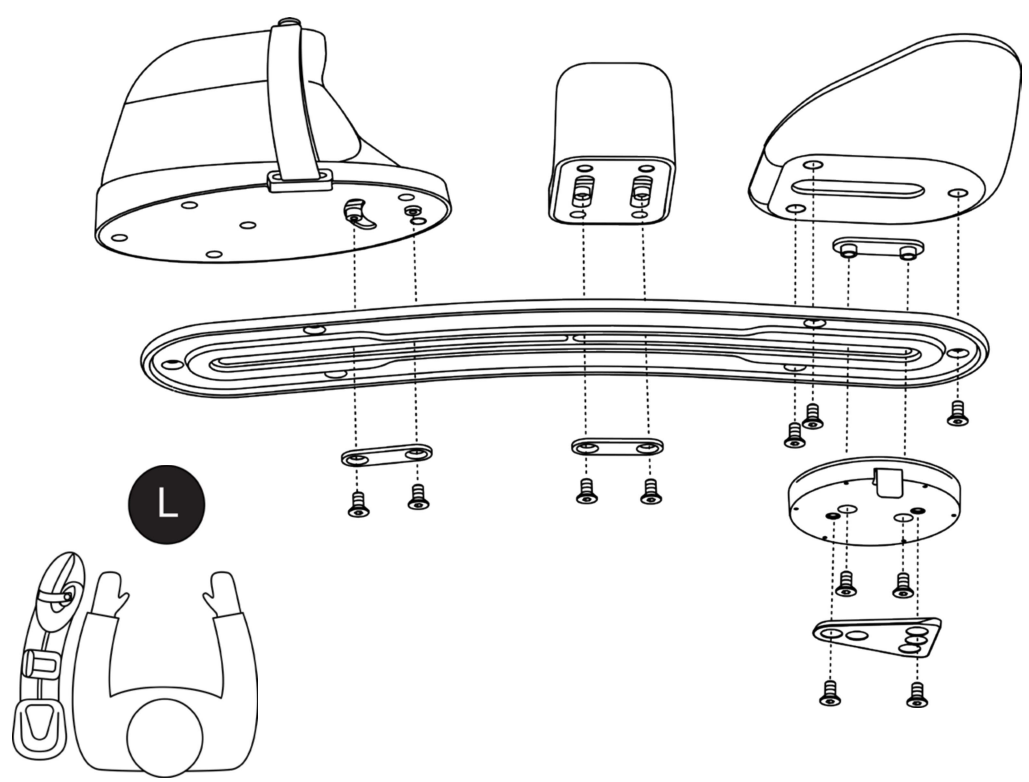
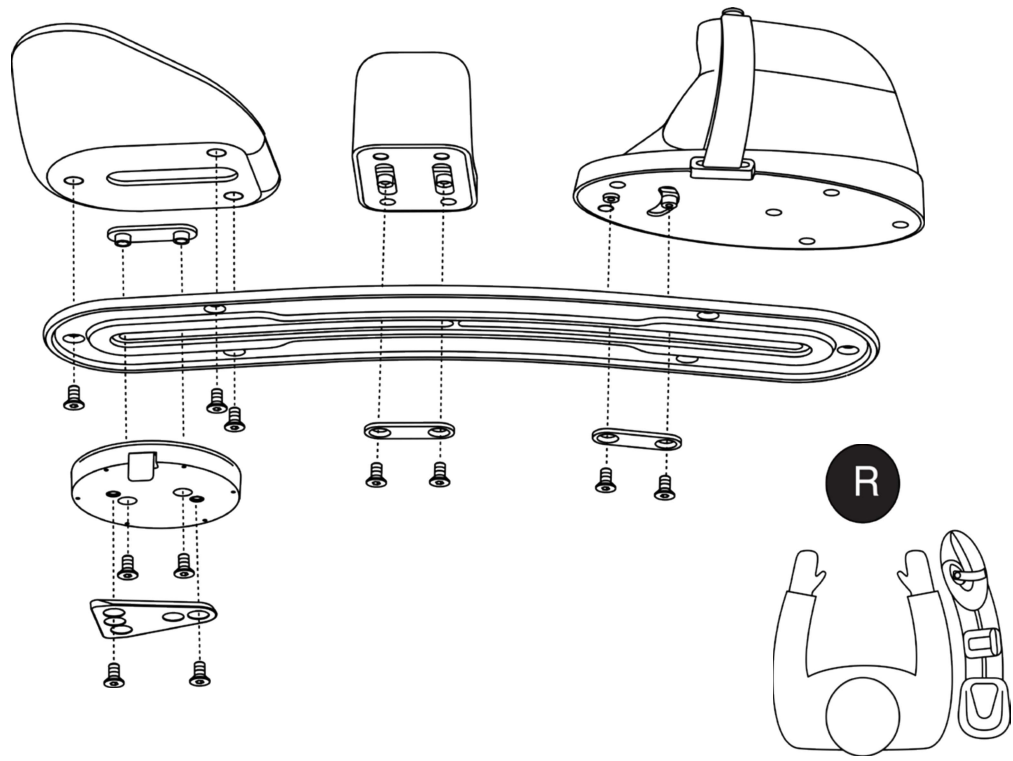
Look for areas of irritation.

3. POSITION

Confirm correct position of user's upper body and shoulders.

4. ADDITIONAL

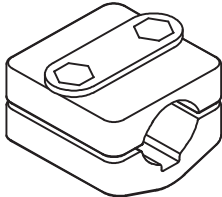
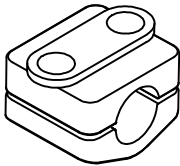
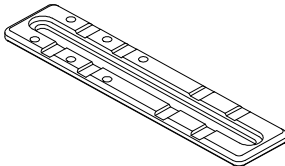
Move the chair through full range of motion, including tilt, folding, and rolling, and check for any interference and adjust the Arm Support if necessary.



Dynamic Arm Support

Mounting Hardware Instructions

ART NOS.: AS118, AS119, AS120

		
AS118	AS119	AS120
Armrest Mounting Clamp	Armrest Mounting Clamp	Armrest Mounting Plate
Compatible with Ø22/25mm [7/8"/1"] Round Armrest Tubing	Compatible with Ø19mm [3/4"] Round Armrest Tubing	Compatible with Flat Armrests

⚠WARNING! This product should be installed and fitted by a qualified rehab technician.

⚠WARNING! When mounting, check that the Arm Support is securely locked into the Quick-Release Adapter Plate. The installer should hear an audible "click" sound.

⚠WARNING! If a serious incident occurs related to the use of this product, it should be reported to the manufacturer (Bodypoint, Inc.) and the local Competent Authority.

PERIODIC SAFETY AND PERFORMANCE CHECKS:

To ensure user safety, this product must be checked periodically for function and signs of wear. If the product does not function correctly or if significant wear is found in the parts, stop using it and contact your supplier for qualified repair or replacement by Bodypoint®. Under no circumstance should this product be altered or repaired by unqualified persons.

WARRANTY:

This product carries a limited lifetime warranty against defects in workmanship and materials arising under normal use by the original consumer. Contact your supplier or Bodypoint® for warranty claims. For more information on Bodypoint® products and information on distributors outside the USA go to www.bodypoint.com.



BP Bodypoint®

558 1st Avenue South
Suite 300
Seattle, WA 98104, USA



Bodypoint Europe BV
Kerkstraat 29
7396 PG Terwolde, NL



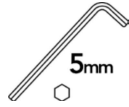
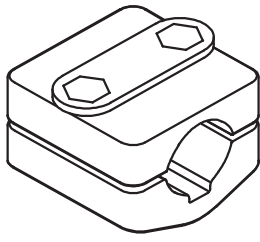
206.405.4555
800.547.5715



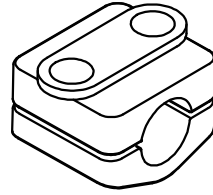
www.bodypoint.com



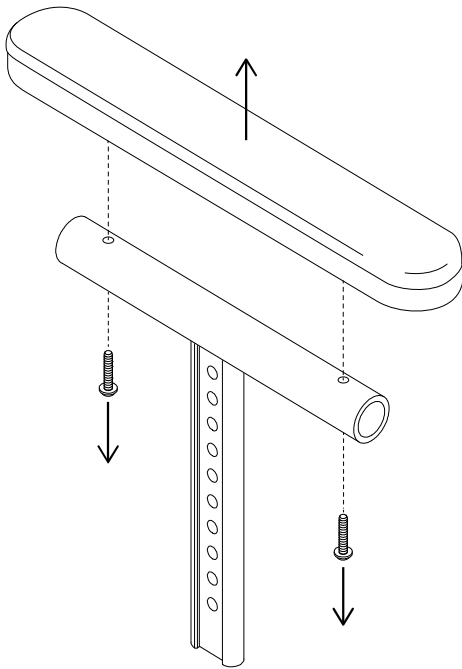
AS118



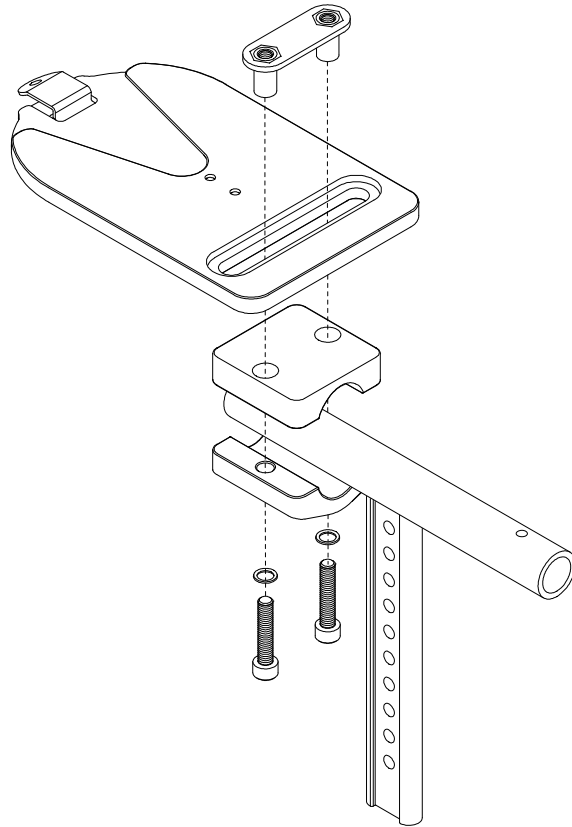
AS119



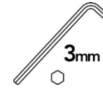
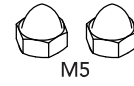
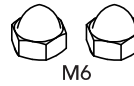
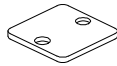
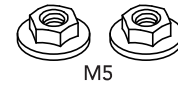
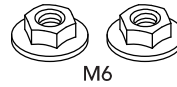
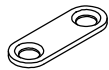
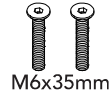
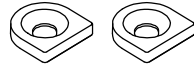
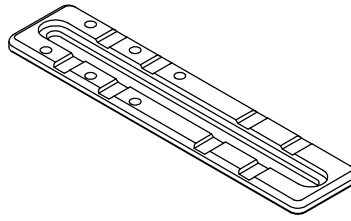
1



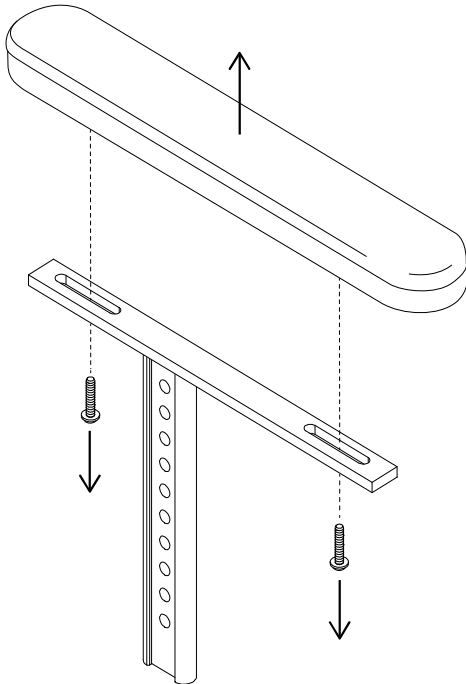
2



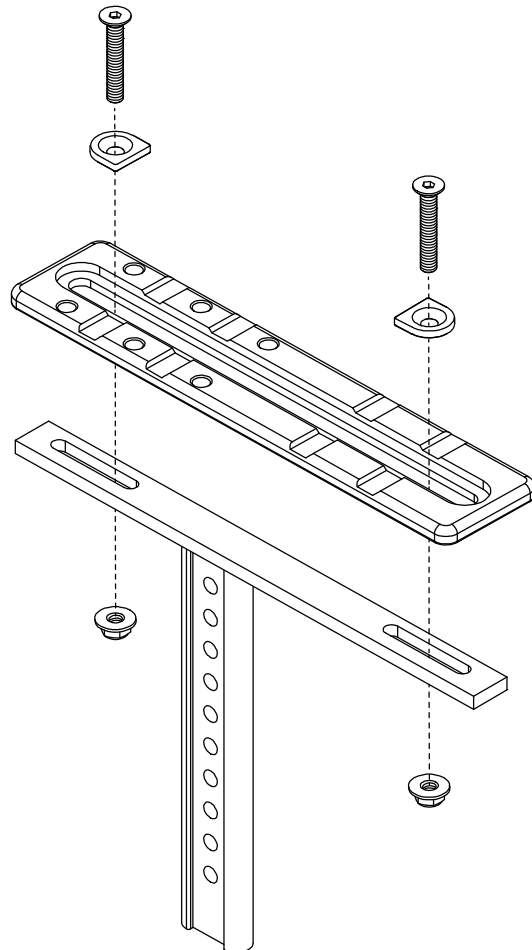
AS120



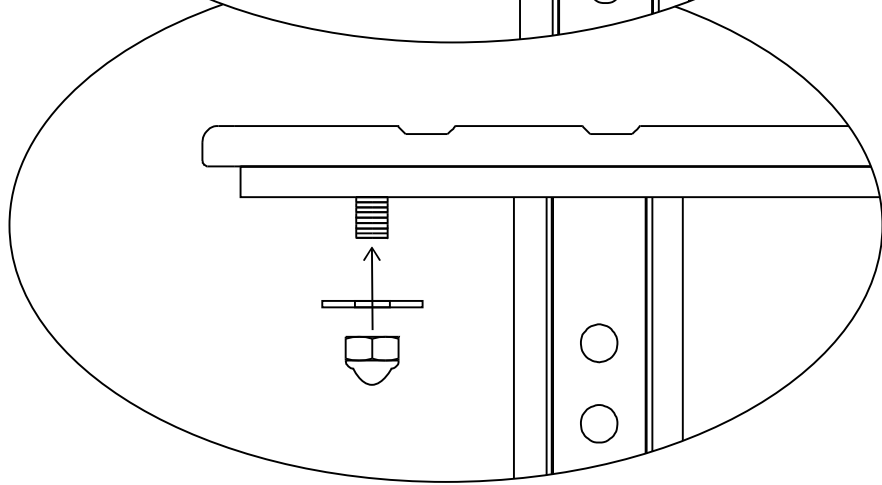
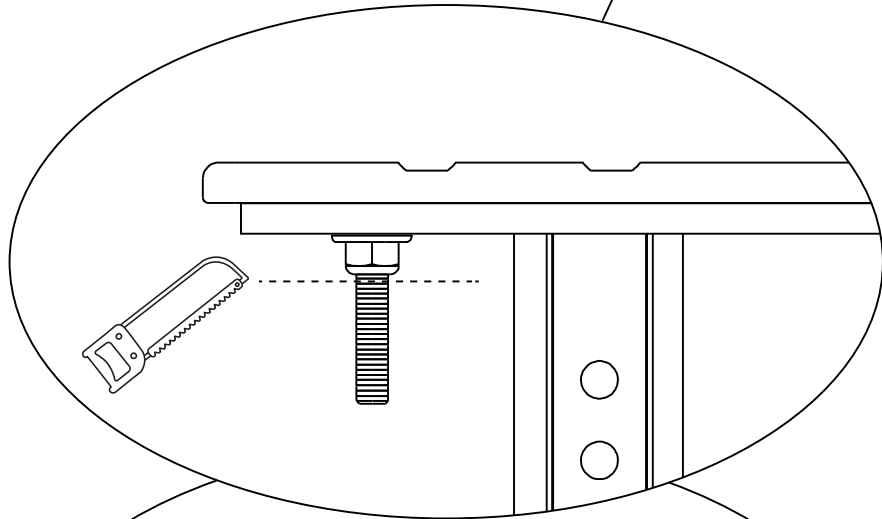
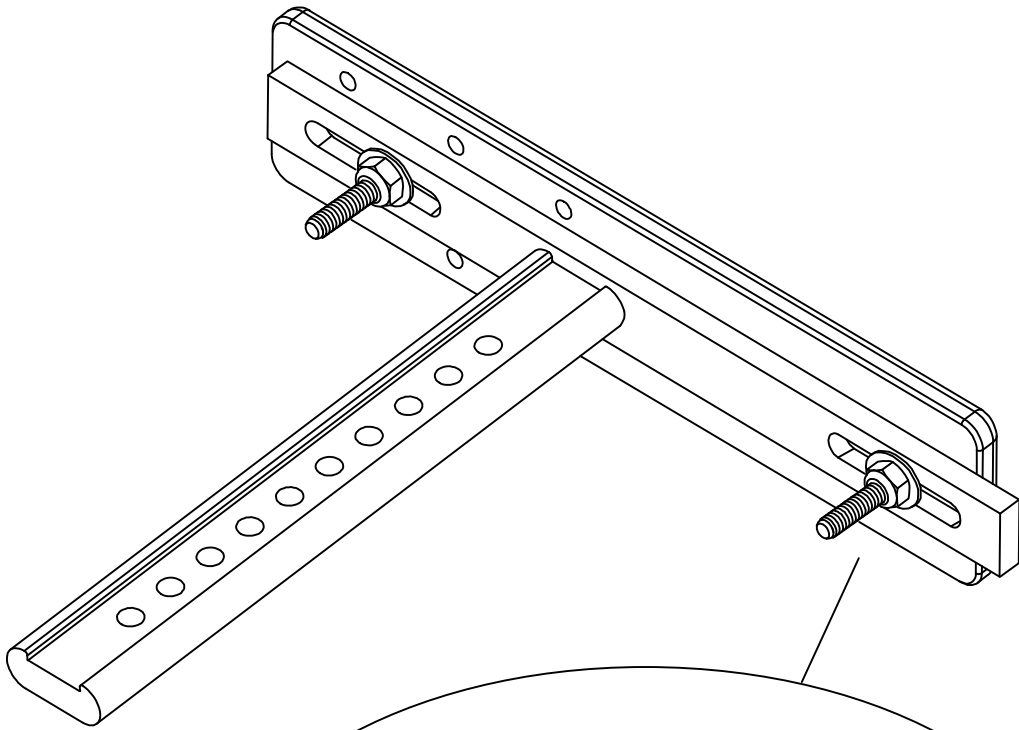
1



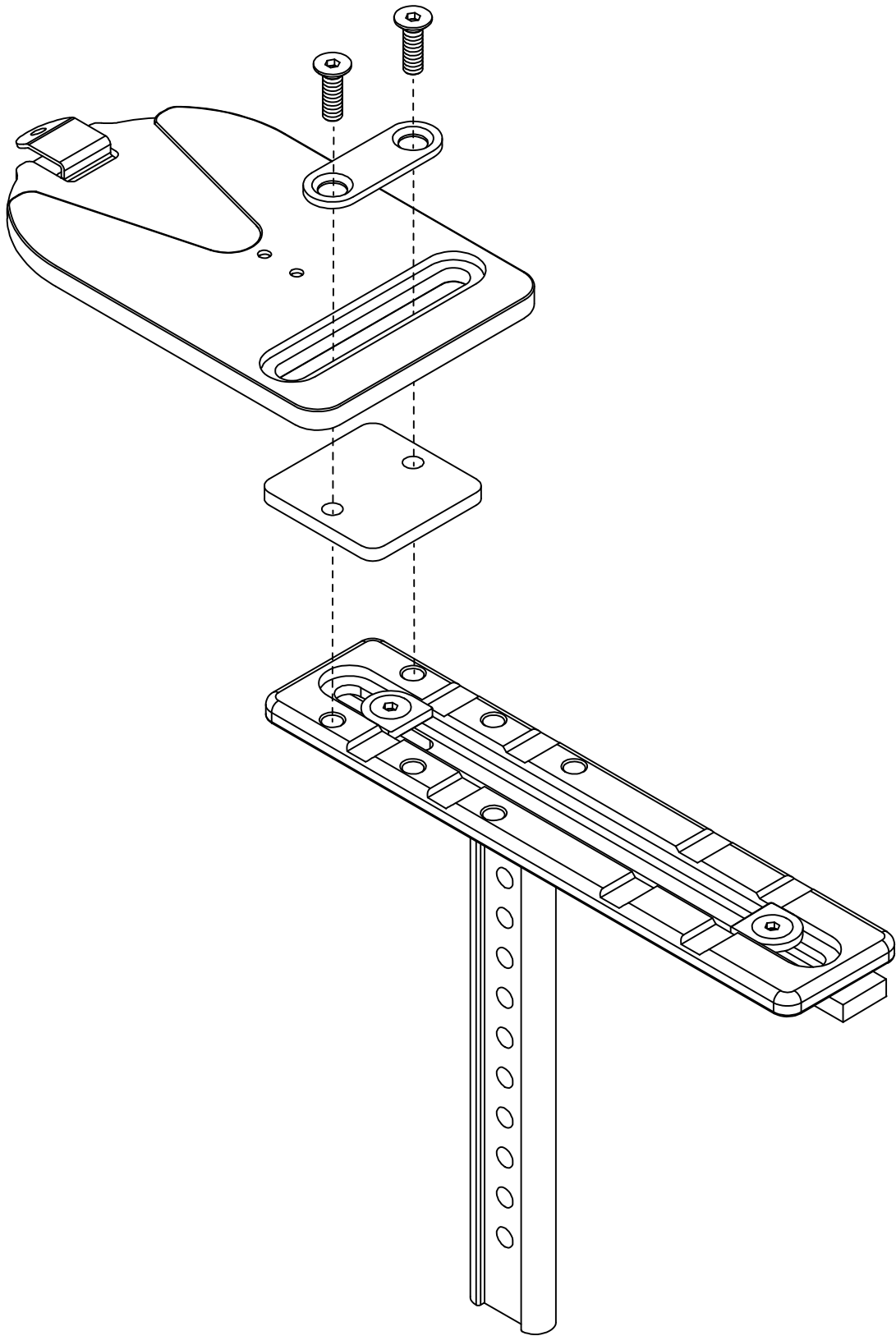
2

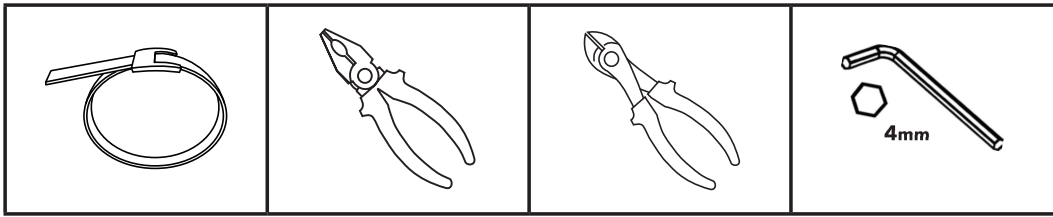


3

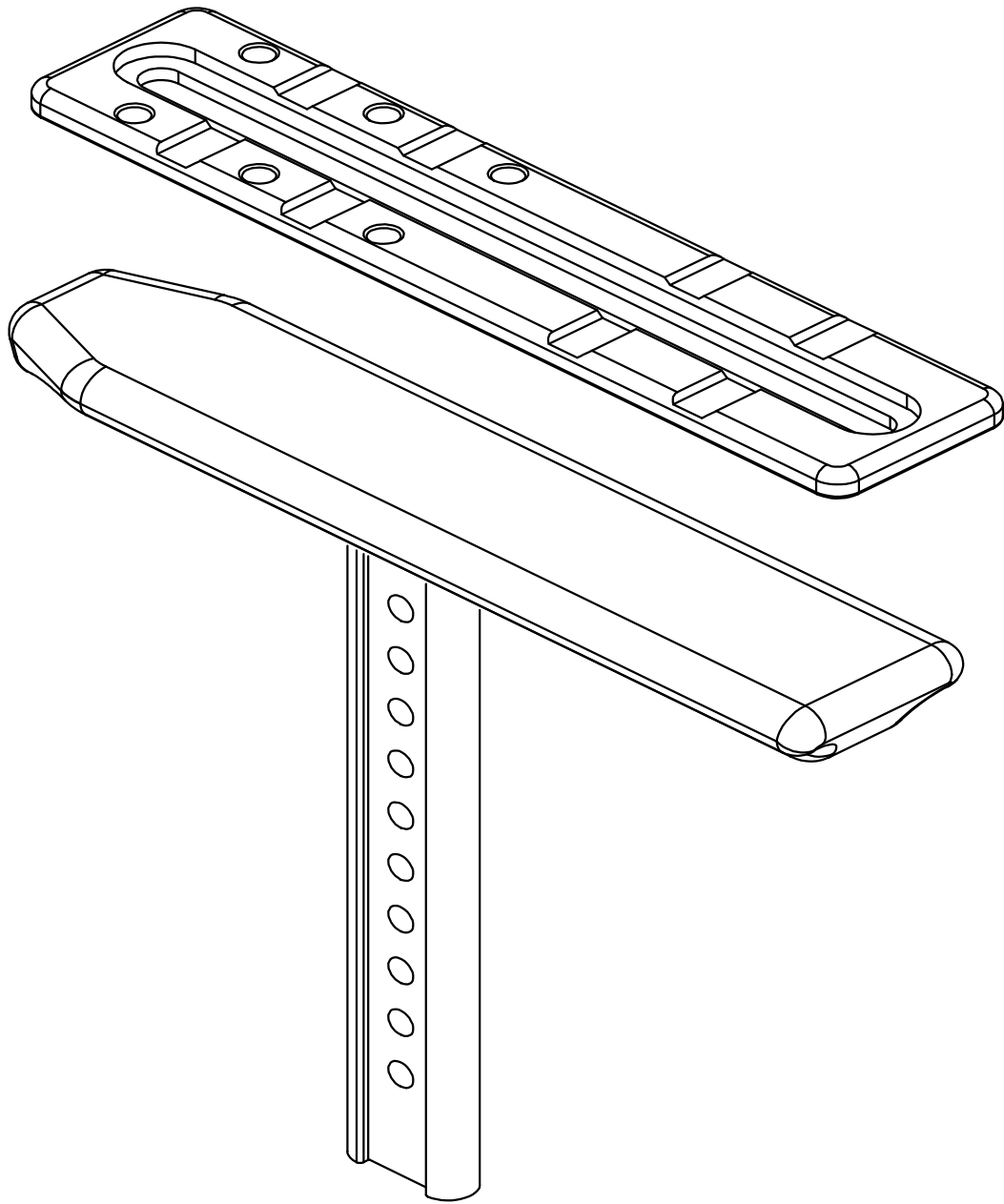


4

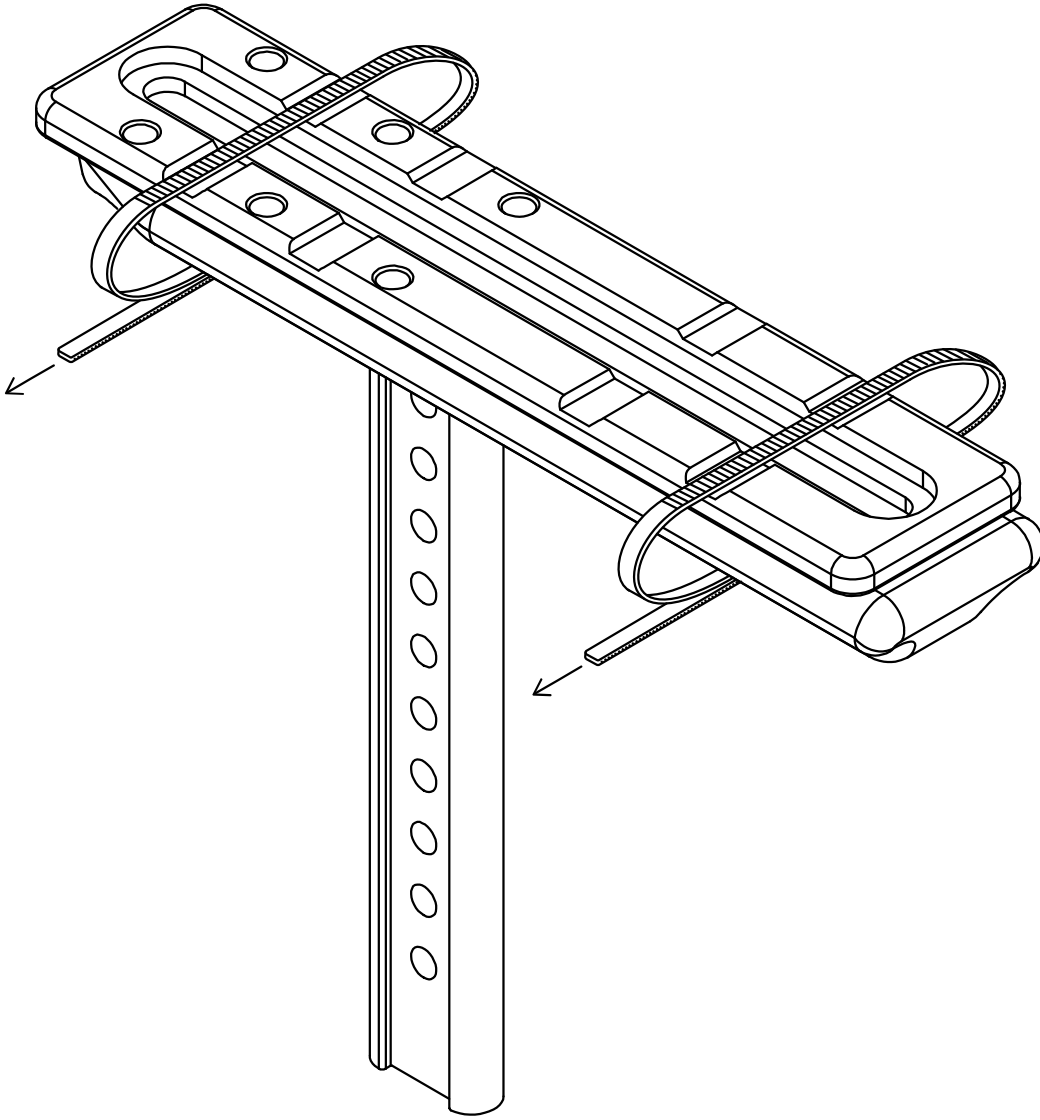




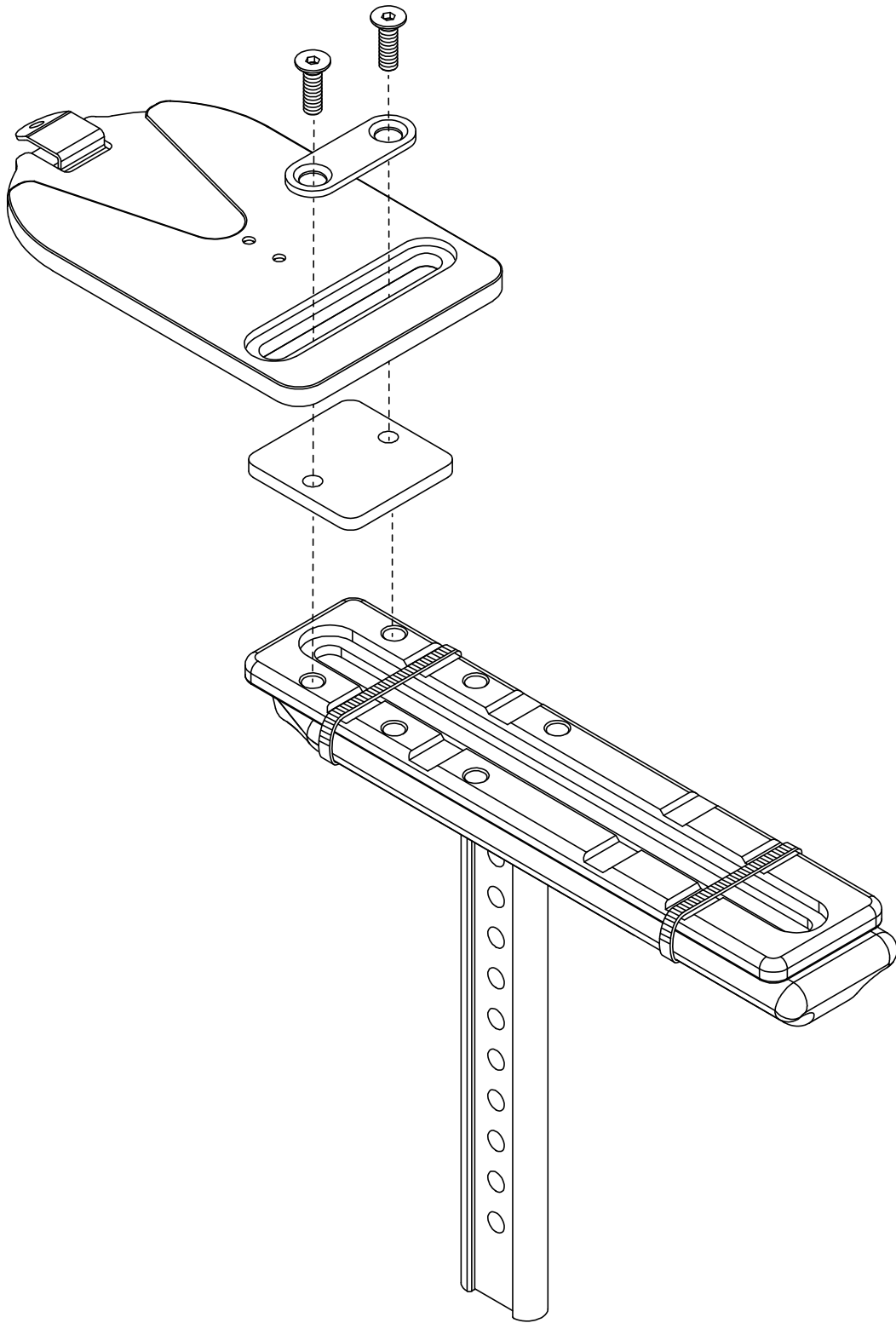
1



2



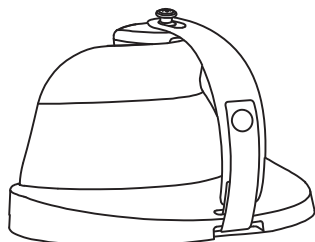
3



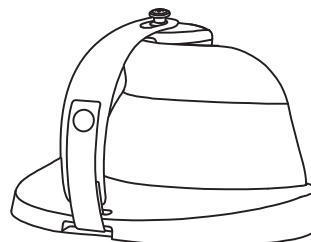
dynamisk armstøtte

PAKKENS INDHOLD

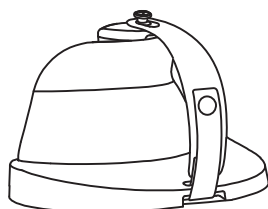
ART NOS.: AS001



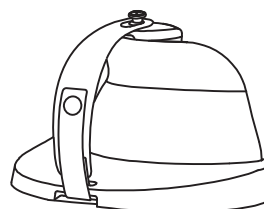
AS116L



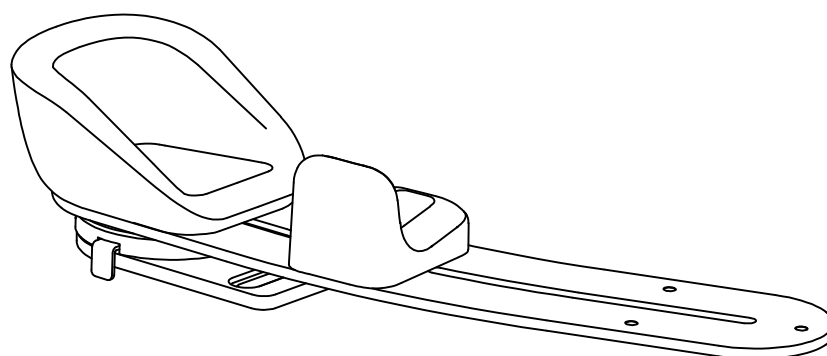
AS116R



AS115L



AS115R



AS200R



BP Bodypoint®

558 1st Avenue South
Suite 300
Seattle, WA 98104, USA



206.405.4555
800.547.5715

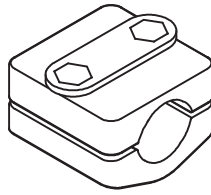


www.bodypoint.com



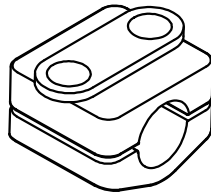
Bodypoint Europe BV
Kerkstraat 29
7396 PG Terwolde, NL





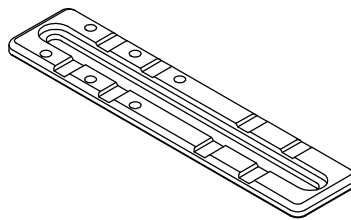
AS118

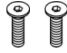

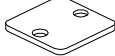
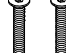
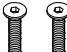
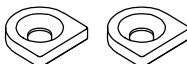






Ø22/25mm [7/8"/1"]



AS119

Ø19mm [3/4"]



 M6x20mm			 M5x35mm
 M6x35mm			 M5
 M6	 M5	 M6	 X4

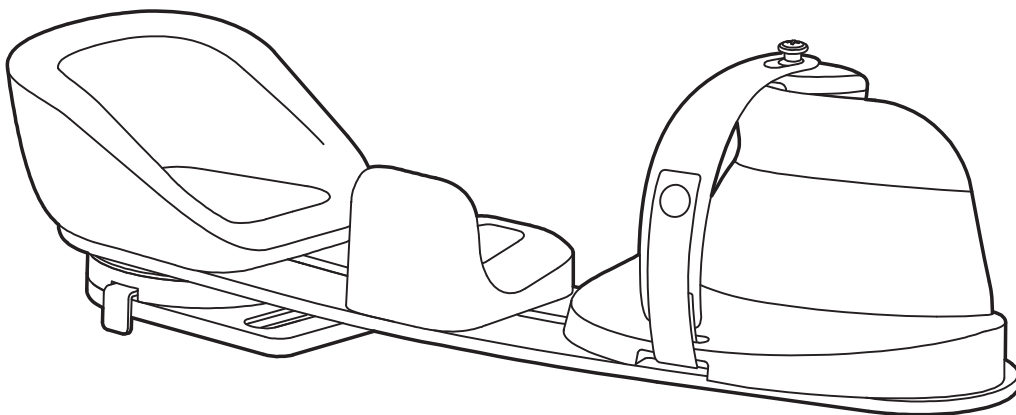
AS120

dynamisk armstøtte

Artikel numre: AS201L, AS201R, AS202L, AS202R, AS200L, AS200R

INSTALLATIONS- OG BRUGERVEJLEDNING

Disse vejledninger giver vigtig information til sikker brug og vedligeholdelse af Bodypoint® armstøtter. Giv disse vejledninger til brugeren eller dennes pårørende, og gennemgå dem for at sikre, at de er forstået.



ANVENDELSESFORMÅL :

dynamisk armstøtte er en dynamisk, mobil støtte til albuen, underarmen og hånden, der fastgøres til en manuel eller el-kørestol. Den giver støtte til øvre ekstremiteter, funktionelt dynamisk bevægelsesområde ved skulderen og en innovativ, fleksibel håndstøtte, der fremmer håndens funktion og hjælper med at minimere flexar tonus og kontrakturer.

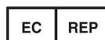
Dette produkt inkluderer modulære komponenter, der kan justeres til en skræddersyet ortotisk pasform. En drejemekanisme giver brugerne mulighed for at træne skulderen i et funktionelt, dynamisk bevægelsesområde. Den fleksible håndstøtte hjælper med at positionere håndled, hånd og fingre på en naturlig linje og minimere flexar tonus og kontrakturer.

Dette produkt er designet til at blive monteret på en række forskellige kørestolsmodeller med højdejusterbare armlæn og kan nemt fjernes for overflytning ved at bruge quick-release funktionen. For at sikre det bedste kliniske resultat bør brugere rådføre sig med en kvalificeret sundhedsperson, før produktet tages i brug.



BP Bodypoint®

558 1st Avenue South
Suite 300
Seattle, WA 98104, USA



Bodypoint Europe BV
Kerkstraat 29
7396 PG Terwolde, NL



206.405.4555
800.547.5715



www.bodypoint.com



⚠ADVARSEL! Dette produkt skal installeres og monteres af en kvalificeret genoptræningstekniker.

⚠ADVARSEL! Dette produkt bør kun bruges til at placere en persons arme i en kørestol. Misbrug af dette produkt er uautoriseret og usikkert.

⚠ADVARSEL! Brugerens arm skal placeres korrekt i armstøtten. En dårligt justeret armstøtte vil kunne tillade brugerens arm at glide ud og forskyde skulderen eller forværre håndens flexare tonus. Få din terapeut eller tekniker til at demonstrere dens korrekte justering og brug.

⚠ADVARSEL! Hvis brugernes fysiske eller kognitive evner forhindrer dem i at betjene dette produkt sikkert, skal en omsorgsperson altid være til stede under brugen. Sørg for, at alle omsorgspersoner ved, hvordan produktet betjenes korrekt.

⚠ADVARSEL! Dette produkt kan ændre den måde, en person sidder på. Fortsæt med at udøve regelmæssige trykafastende aktiviteter og hudintegritetstjek. Hvis der opstår øget rødme eller irritation af huden, skal brugen

afbrydes og din kvalificerede sundhedsperson kontaktes.

⚠ADVARSEL! Overvåg altid brugeren, når drejepladen er låst op for at rotere. Drejepladen skal altid være låst, når der køres med kørestolen eller den transporteres i et køretøj, for at forhindre skader eller kvæstelser, der kan opstå som følge af at støde på døråbninger eller andre forhindringer i nærheden af stolens sider.

⚠ADVARSEL! Ved montering skal det kontrolleres, at armstøtten er sikkert låst i Quick-Release adapterpladen. Installatøren skal høre en hørbar "klik"-lyd.

⚠ADVARSEL! Hvis der opstår en alvorlig hændelse relateret til brugen af dette produkt, skal det rapporteres til producenten (Bodypoint, Inc.) og den lokale kompetente myndighed.

⚠ADVARSEL! Det er mest sikkert, at du bliver flyttet ud af din kørestol og over i et producentinstalleret køretøjssæde og her bruger køretøjets kollisionsstede sikkerhedssystem. Manglende brug af passende sikkerhedsseleudstyr i et køretøj kan resultere i alvorlig personskade eller dødsfald.

PERIODISK SIKKERHEDS OG YDEEVNE KONTROL:

For at sikre brugerens sikkerhed skal dette produkt kontrolleres med jævne mellemrum for funktionalitet og tegn på slid. Hvis produktet ikke fungerer korrekt, eller hvis der er betydelig slitage på delene, skal brugen stoppes og din leverandør kontaktes for kvalificeret reparation eller udskiftning af Bodypoint®. Dette produkt må under ingen omstændigheder ændres eller repareres af ukvalificerede personer.

RENGØRING:

Dette produkt kan rengøres ved at tørre med desinfektionsmiddel eller en klud dyppet i varmt vand og sæbe. Tør med et håndklæde eller lufttør. Et mildt desinfektionsmiddel kan påføres overfladen. Til rengøring af håndstrappen, maskinvask, varm, 60°C. Må ikke bleges. Tørretumbling, lav temperatur eller dryptør. Må ikke stryges.

SKROTNING/BORTSKAFFELSE:

Dette produkt er fremstillet af materialer, som kan bortskaffes sikkert uden særlige forholdsregler ved slutningen af dets levetid.

GARANTI:

Dette produkt har en begrænset livstidsgaranti mod defekter i udførelse og materialer, der opstår ved normal brug af den oprindelige forbruger. Kontakt din leverandør eller Bodypoint® med garantikrav. For mere information om Bodypoint®-produkter og information om distributører uden for USA, se www.bodypoint.com.

NØDVENDIGT VÆRKTØJ

4 mm unbraco nøgle

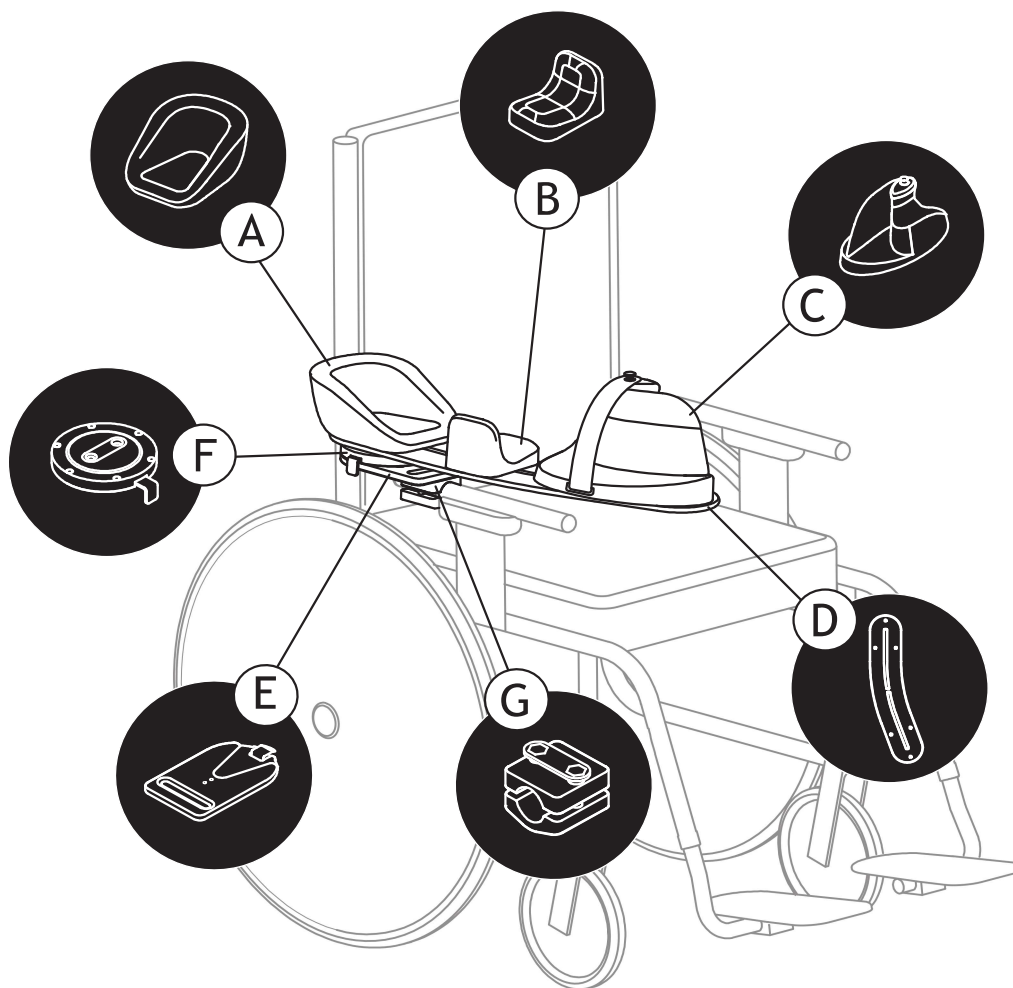
3 mm unbraco nøgle

Til valgfri finjustering af Quick-Release låsen



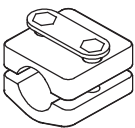
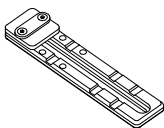
PAKKENS INDHOLD

A	B	C	D	E	F
Albuepude	Underarm-spude	Håndspærre og rem	Grundplade	Quick-Release adapterplade	Drejeplade

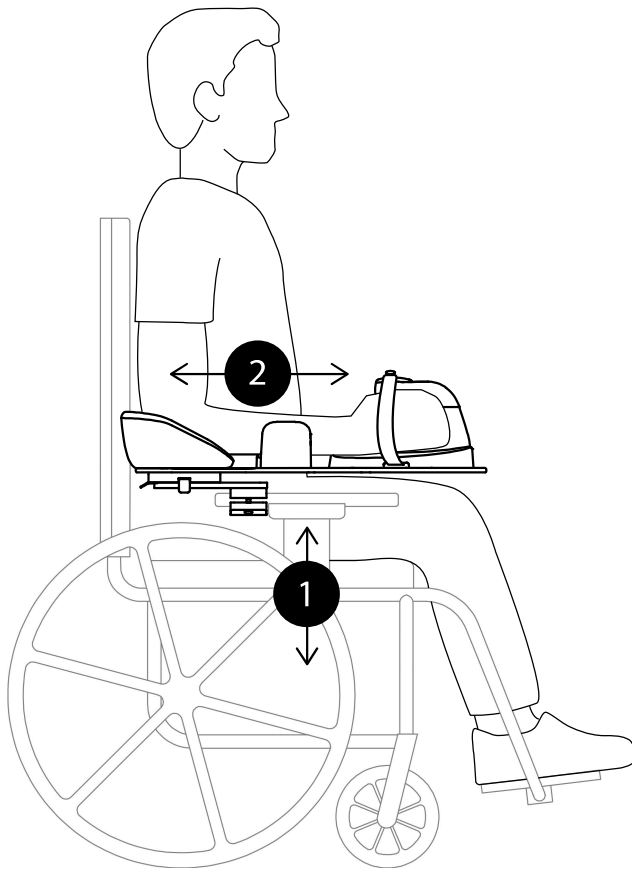


MONTERINGSBESLAG

VALGFRI KLEMME ELLER PLADE SÆLGES SEPARAT
ARMLÆNSMONTERINGSKLEMME ER VIST HEROVER

G	H
<p>Armlæns monteringsklemmer Kompatibel med Ø19 mm eller Ø22/25 mm runde armlænsrør</p>	<p>Armlæns monteringsplade Kompatibel med flade armlæn</p>
	

PLACERING AF ARMSTØTTEN FOR BRUGEREN



1. Højde

Det anbefales at bruge et højdejusterbart armlæn for optimal positionering.

Juster højden på armlænet for at støtte albuen, for jævn trykfordeling på armen uden at løfte skulderen.

2. Dybde

For at justere armstøtten fremad eller bagud skal skrueene på armlænets monteringsbeslag løsnes.

Skub armstøtten frem eller tilbage på armlænet til den korrekte position.

For mere information se:
"YDERLIGERE FININDSTILLING
AF DREJEPLADEN, YDERLIGERE
DYBDEJUSTERINGER."

3. Tværgående

For at justere armstøtten tættere på eller længere væk fra brugeren løsnes skrueene, der fastgør Quick-Release adapterpladen til armlænets monteringsbeslag.

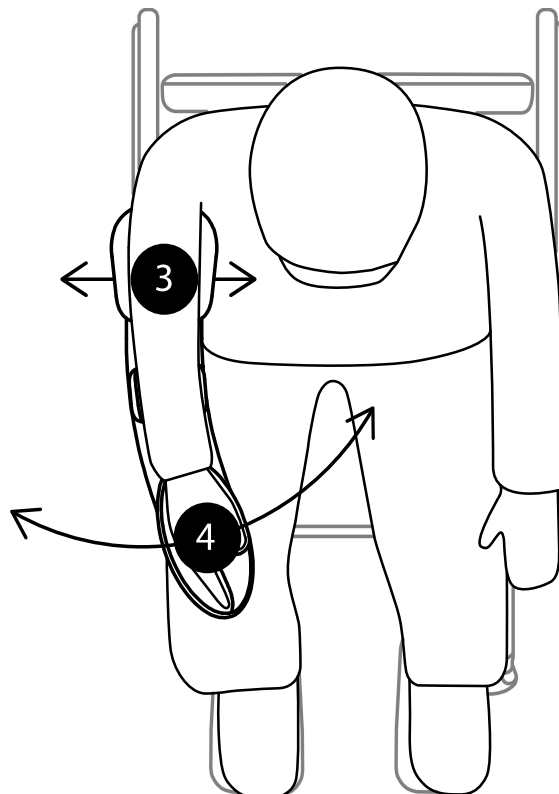
Skub armstøtten indad eller udad, og spænd begge skrueer forsvarligt igen.

4. Vinkel

Pivotpladen tillader et 60°-interval af indre til ydre rotation. For at vælge vinklen på armstøtten, trækkes drejepladetappen ud og armstøtten positioneres.

Skub drejepladetappen ind for at låse i den ønskede vinkel i intervaller på 5°.

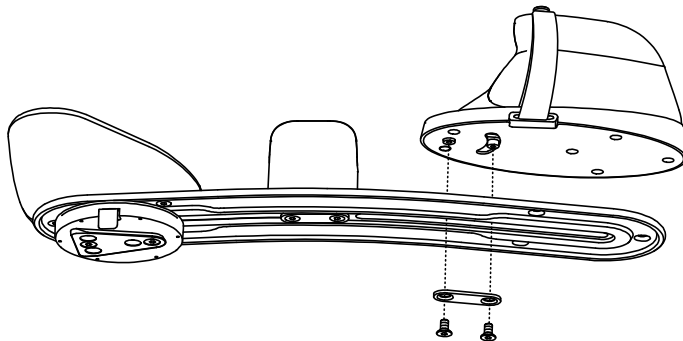
For mere information se: "YDERLIGERE
FININDSTILLING AF PIVOTPLADEN,
YDERLIGERE INDRE OG YDRE
ROTATIONSGRÆNSER."



MONTERING AF ARMSTØTTEN

Før installationen skal Quick-Release griberen fjernes fra armstøtten. For mere information se: "BRUG AF QUICK-RELEASE ADAPTERPLADEN"

1. Monter Quick-Release griberen på kørestolens armlæn ved hjælp af valgfri armlænsmonteringsbeslag. Spænd monteringsskrueerne delvist for at muliggøre justering. Se instruktionerne, der følger med valgfri monteringsbeslag, for detaljer.

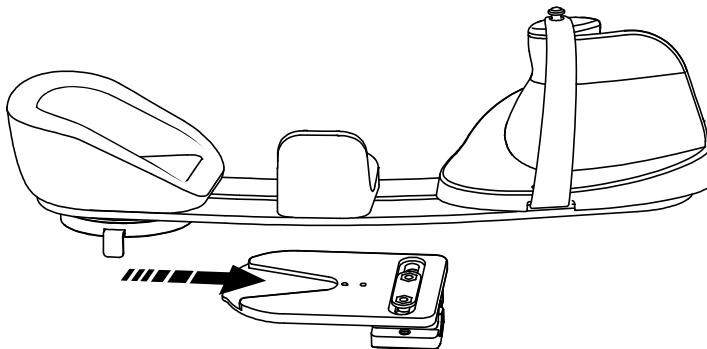


2. Monter håndspærren på bundpladen ved hjælp af skivepladen og de medfølgende M6-skrue (2)..

Bemærk: Spænd ikke skrueerne helt, før de sidste justeringer for at passe til brugeren er foretaget.

3. Skub armstøtten ind i Quick-Release adapterpladen - Quick-Release låsen skal låse med et hørbart "klik!"

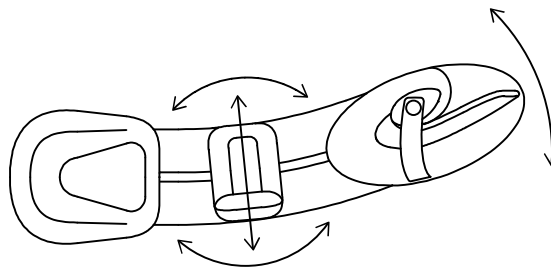
Bemærk: Quick-Release låsen kan justeres for at fjerne ethvert slør ved at løsne M5-skrue (2) i bunden med en 3 mm unbrakonøgle. Skub Quick-Release låsen stramt mod den bagerste kant af Quick-Release kilen, mens skrueerne efterspændes, for at sikre at den er på plads.



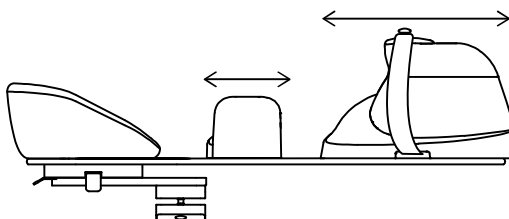
JUSTERING AF UNDERARMSPUDEN OG HÅNDSPÆRREN

Begynd med at placere brugerens albue i albuepuden.

For at justere håndspærren, løsnes M6-skrue (2) og håndspærren skubbes langs bundpladen for at forhindre forskydning af brugerens underarm. Spænd den bagerste skrue, indtil den sidder godt fast, og juster derefter håndspærrens vinkel 0-30° for at placere hånden og håndledet korrekt. Stram begge skrue helt for at fastgøre håndspærren på dens plads.



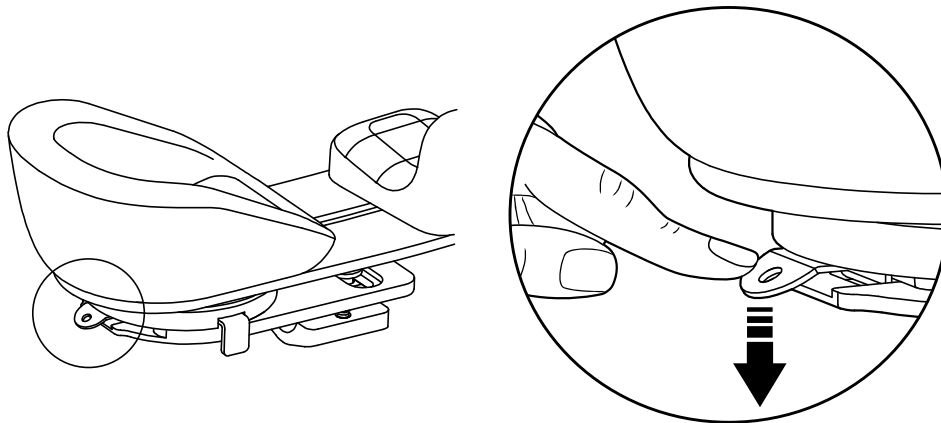
For at justere underarmspuden løsnes M6-skrue (2) og underarmspuden skubbes langs bundpladen for at lejre brugerens arm bag håndledet. Den kan justeres ind eller ud, drejes eller geninstalleres i den modsatte retning for at understøtte eller begrænse armbevægelser. Efterspænd skrueerne.



BRUG AF QUICK-RELEASE ADAPTERPLADEN

Tryk ned på Quick-Release låsen for at låse op med henblik på fjernelse.

For at geninstallere skal armstøtten skubbes ind i Quick-Release griberen, indtil den går i indgreb med et hørbart "klik!"

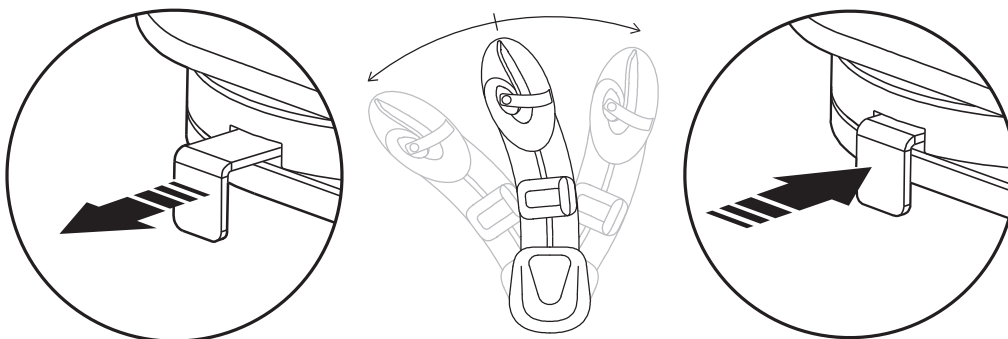


LÅSNING/OPLÅSNING AF DREJEPLADEN

Armstøtten kan låses op for at tillade dynamisk bevægelse eller låses for at opretholde en fast armposition.

For at låse op trækkes drejpladetappen ud. Armstøtten kan nu rotere frit gennem et 60° inderst-til-yderst område.

For at låse trykkes drejpladetappen ind. Armstøtten kan låses i intervaller på 5°.



LÅS OP

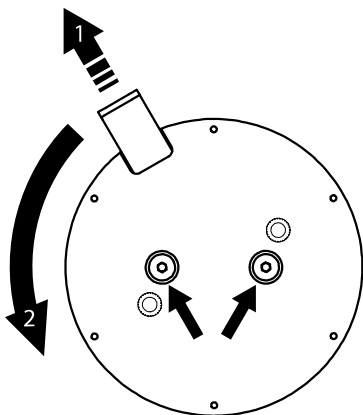
AKSE

LÅS

⚠ADVARSEL! Overvåg altid brugeren, når drejpladen er låst op for at rotere. Drejpladen skal altid være låst, når der køres med kørestolen eller den transporteres i et køretøj, for at forhindre skader eller kvæstelser, der kan opstå som følge af at støde på døråbninger eller andre forhindringer i nærheden af stolens sider.

YDERLIGERE FINJUSTERING AF DREJEPLADEN

YDERLIGERE DYBDEJUSTERINGER



Yderligere justeringer kan foretages ved at flytte drejepladen op til 20 mm fremad på bundpladen.

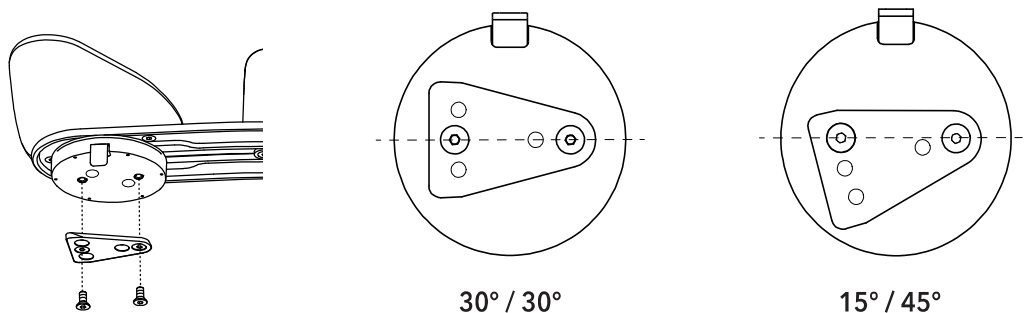
For at få adgang til monteringsskrueene skal Quick-Release kilen fjernes og drejepladetappen trækkes ud for at låse den op og dreje den, indtil M6 monteringsskrueene er synlige gennem de to adgangshuller.

Løsn begge skrue for at skubbe drejepladen fremad, og stram derefter begge skrue helt igen, og fastgør Quick-Release kilen igen.

YDERLIGERE INDRE OG YDRE ROTATIONSGRÆNSER

Standardindstillingen af drejepladen giver mulighed for 30° indre / 30° ydre rotation fra neutral position (på linje med stolens armlæn). Dette giver samme funktion, uanset om den er installeret på højre eller venstre side.

Nogle brugere kan klare et større interval til indre armrotation, hvilket kan imødekommes ved at flytte Quick-Release kilen på bunden af drejepladen for at tillade 45° indre / 15° ydre rotation.



SIKKERHEDS- OG YDEEVNEKONTROL

Brugeren skal sidde i kørestolen, før der udføres sikkerhedstjek.

1. NORMAL BRUG

Tjek for klemmepunkter eller løse dele.

2. KOMFORT

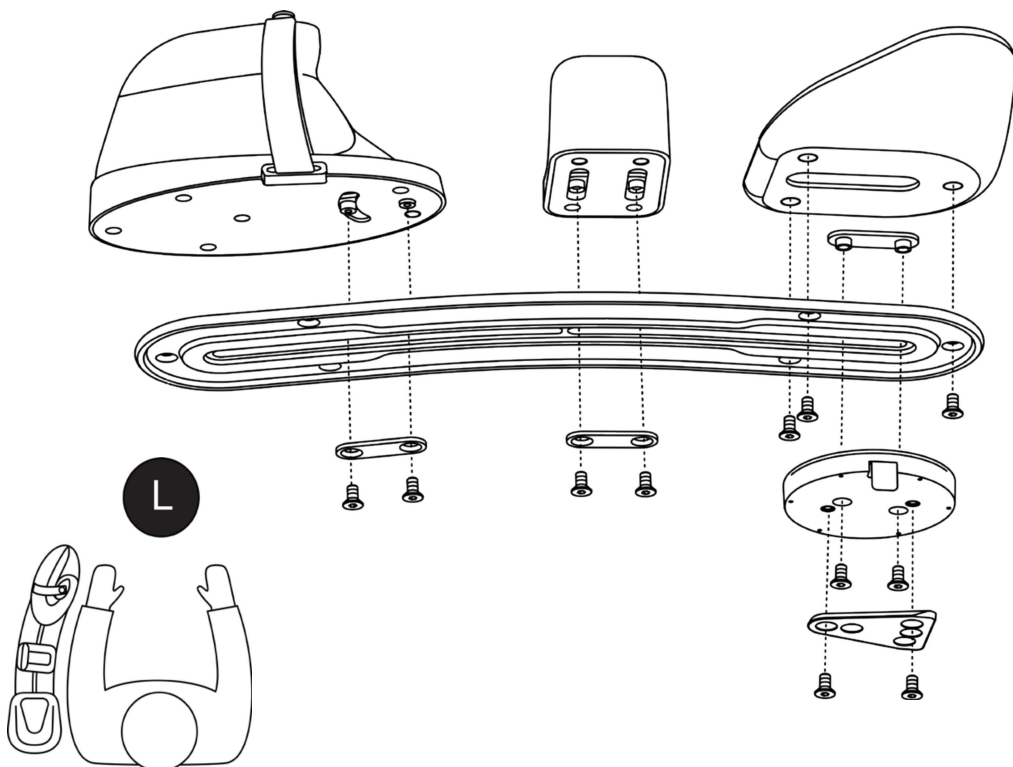
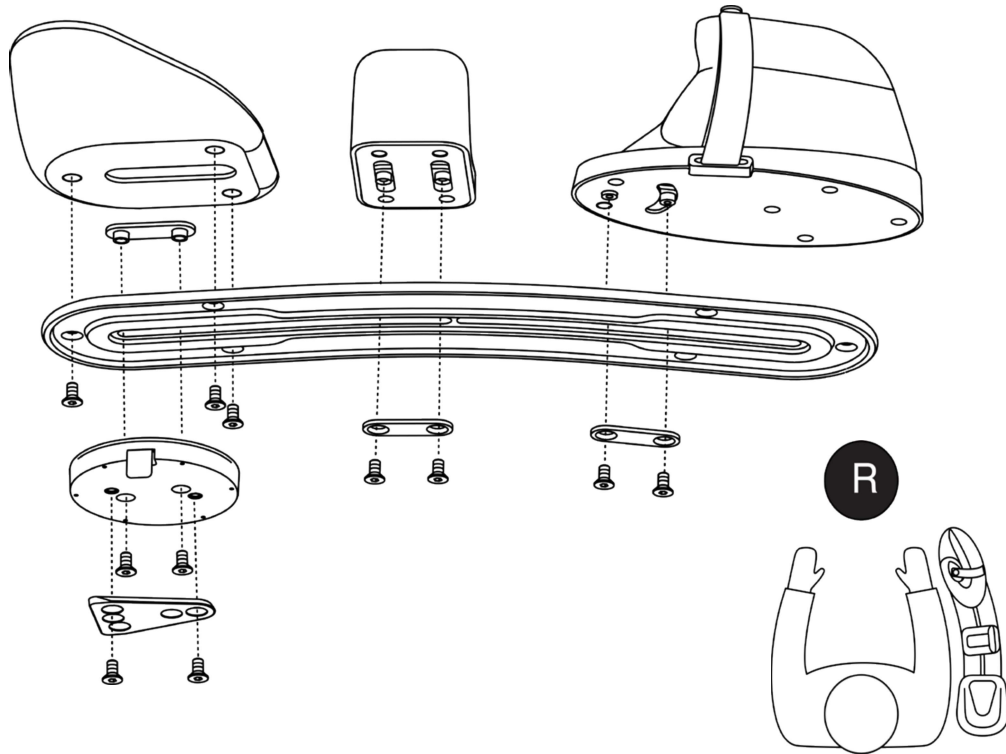
Se efter irriterede områder.

3. POSITION

Kontrollér korrekt position af brugerens overkrop og skuldre.

4. TILLÆG

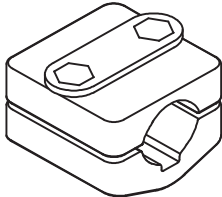
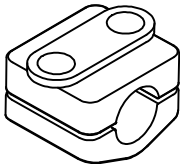
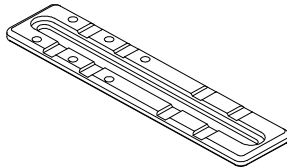
Flyt stolen gennem hele bevægelsesområdet, inklusive vipning, foldning og rulning, og kontrollér for berøringer og juster armstøtten om nødvendigt.



dynamisk armstøtte

INSTALLATIONS: MONTERINGSBESLAG

ART NOS.: AS118, AS119, AS120

		
AS118	AS119	AS120
Armlæns monteringsklemmer	Armlæns monteringsklemmer	Armlæns monteringsplade
Kompatibel med Ø22/25 mm runde armlænsrør	Kompatibel med Ø19 mm runde armlænsrør	Kompatibel med flade armlæn

⚠ADVARSEL! Dette produkt skal installeres og monteres af en kvalificeret genoptræningstekniker.
⚠ADVARSEL! Ved montering skal det kontrolleres, at armstøtten er sikkert låst i Quick-Release adapterpladen. Installatøren skal høre en hørbar "klik"-lyd.
⚠ADVARSEL! Hvis der opstår en alvorlig hændelse relateret til brugen af dette produkt, skal det rapporteres til producenten (Bodypoint, Inc.) og den lokale kompetente myndighed.

SIKKERHEDS- OG YDEEVNEKONTROL

For at sikre brugerens sikkerhed skal dette produkt kontrolleres med jævne mellemrum for funktionalitet og tegn på slid. Hvis produktet ikke fungerer korrekt, eller hvis der er betydelig slitage på delene, skal brugen stoppes og din leverandør kontaktes for kvalificeret reparation eller udskiftning af Bodypoint®. Dette produkt må under ingen omstændigheder ændres eller repareres af ukvalificerede personer.

GARANTI

Dette produkt har en begrænset livstidsgaranti mod defekter i udførelse og materialer, der opstår ved normal brug af den oprindelige forbruger. Kontakt din leverandør eller Bodypoint® med garantikrav. For mere information om Bodypoint®-produkter og information om distributører uden for USA, se www.bodypoint.com.



BP Bodypoint®

558 1st Avenue South
Suite 300
Seattle, WA 98104, USA



Bodypoint Europe BV
Kerkstraat 29
7396 PG Terwolde, NL



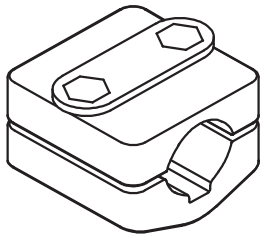
206.405.4555
800.547.5715



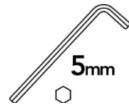
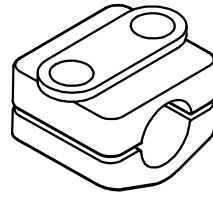
www.bodypoint.com



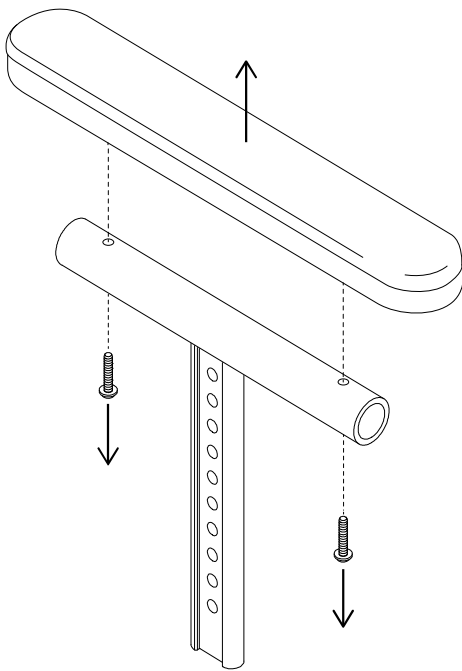
AS118



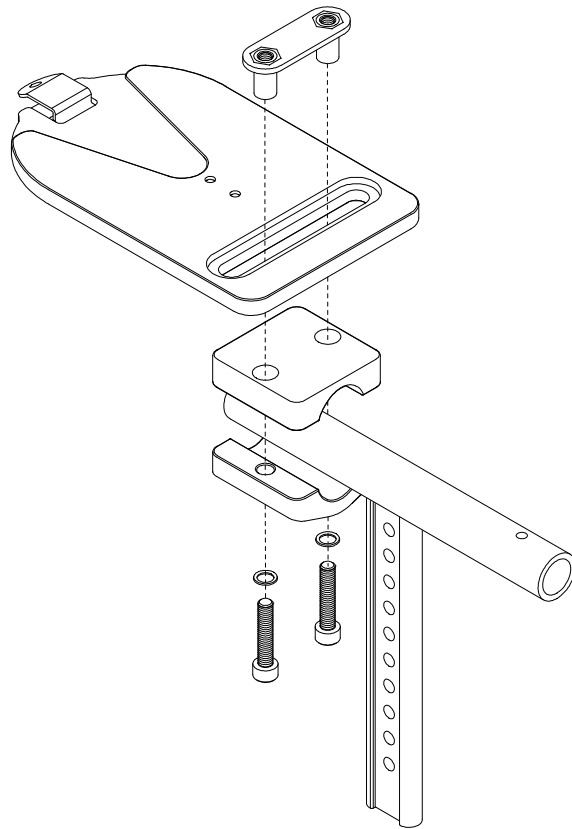
AS119



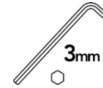
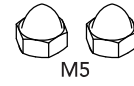
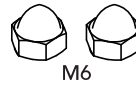
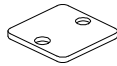
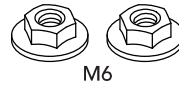
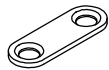
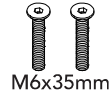
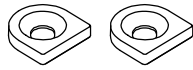
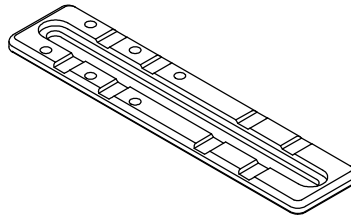
1



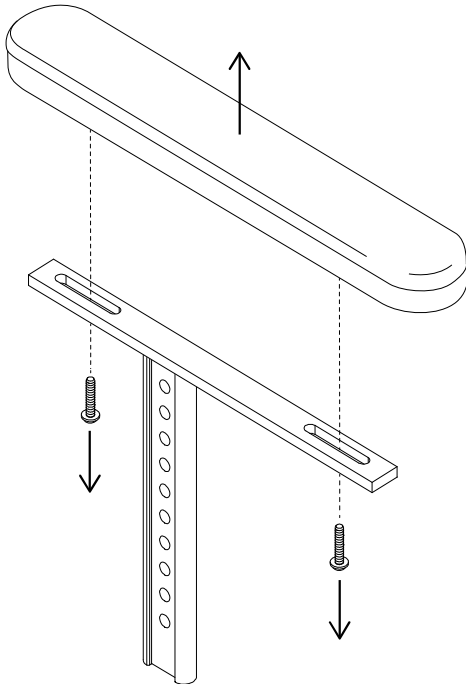
2



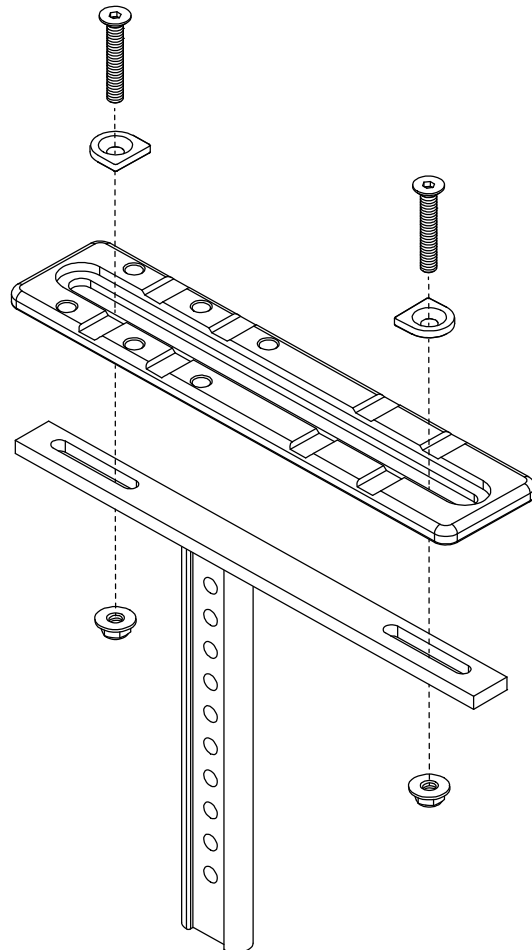
AS120



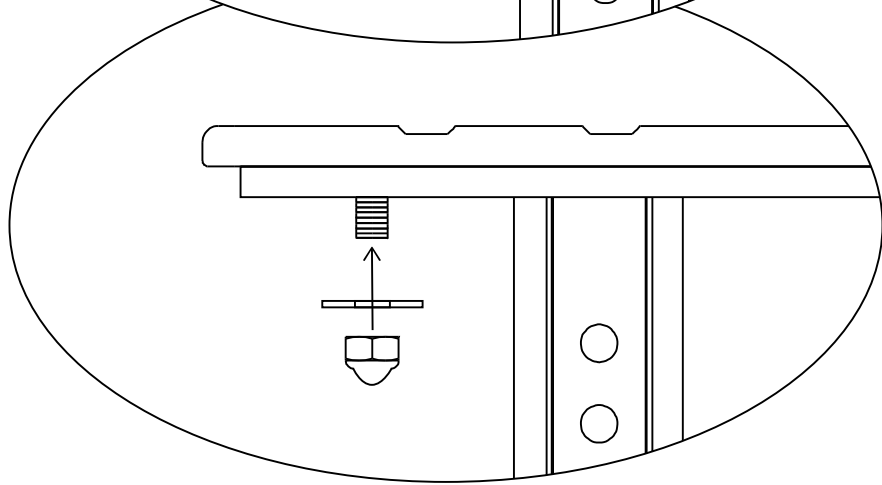
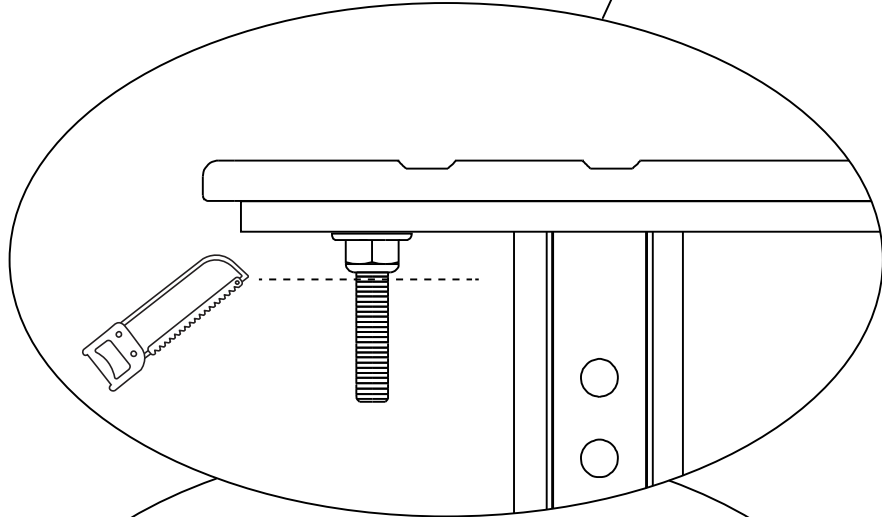
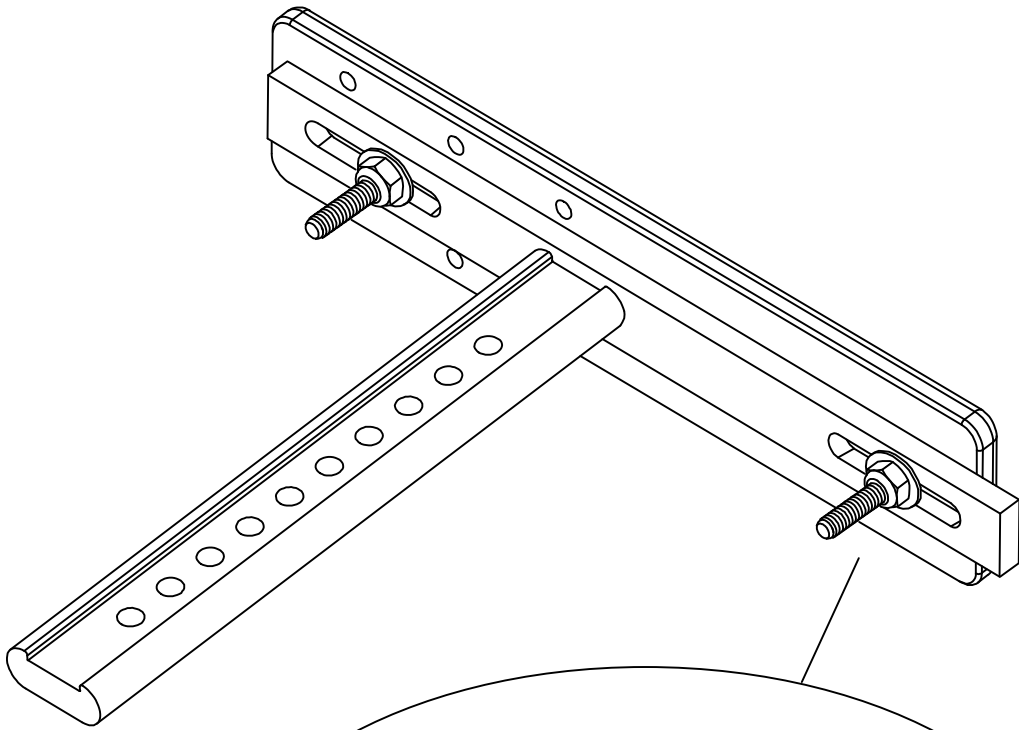
1



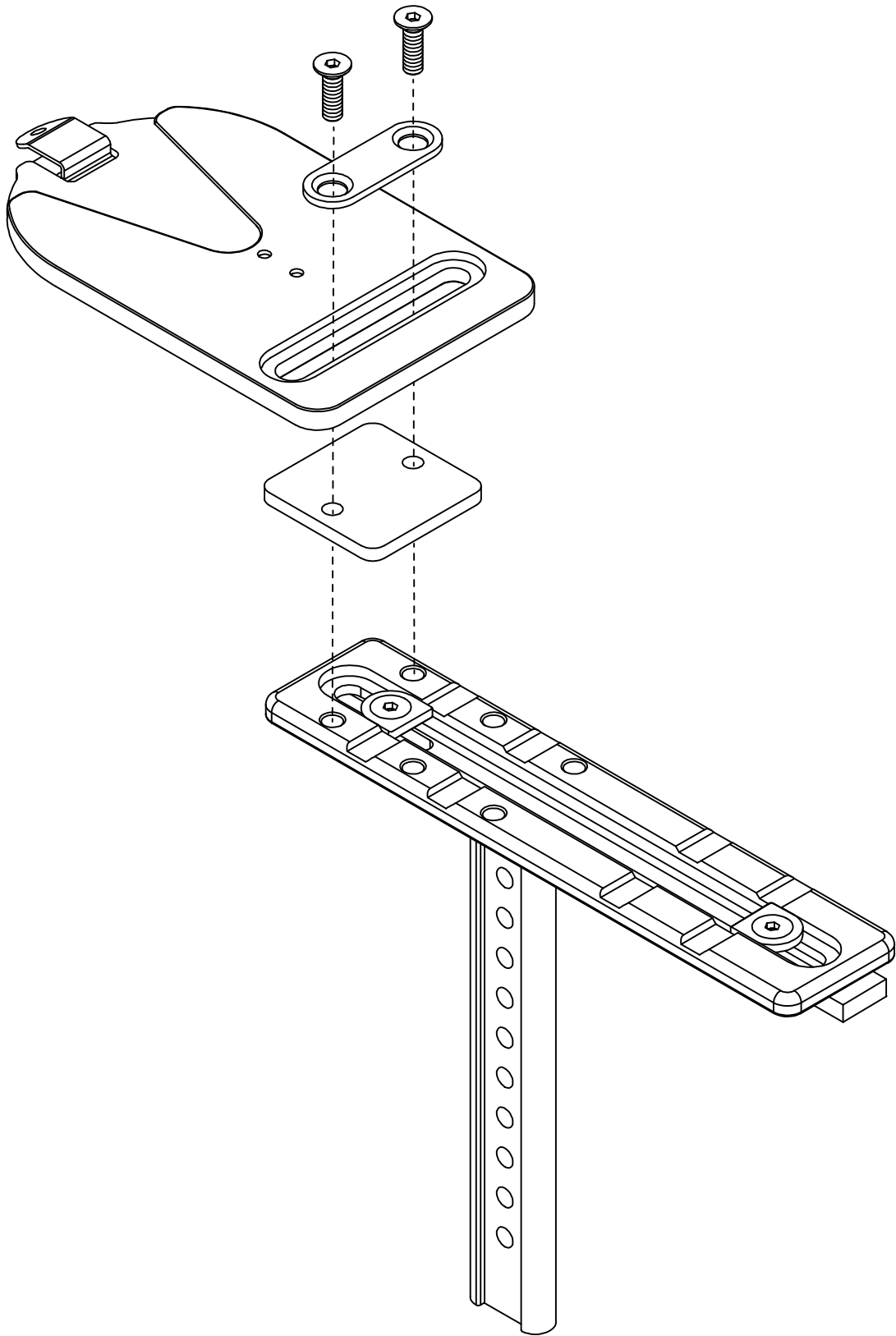
2

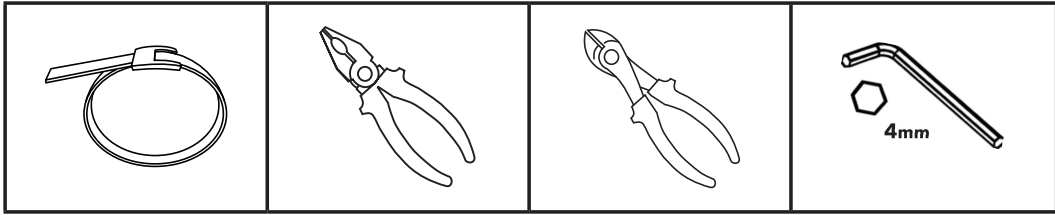


3

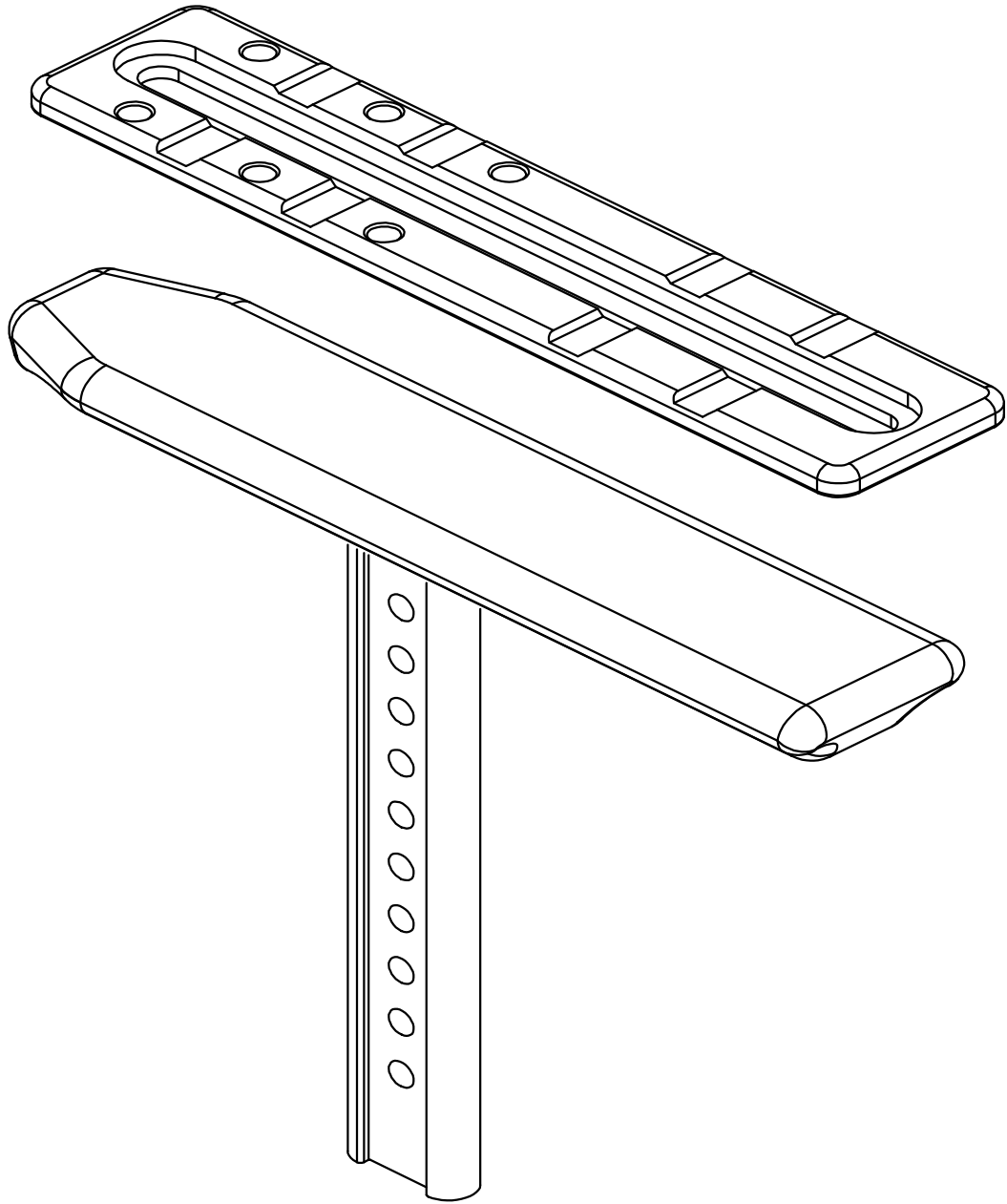


4

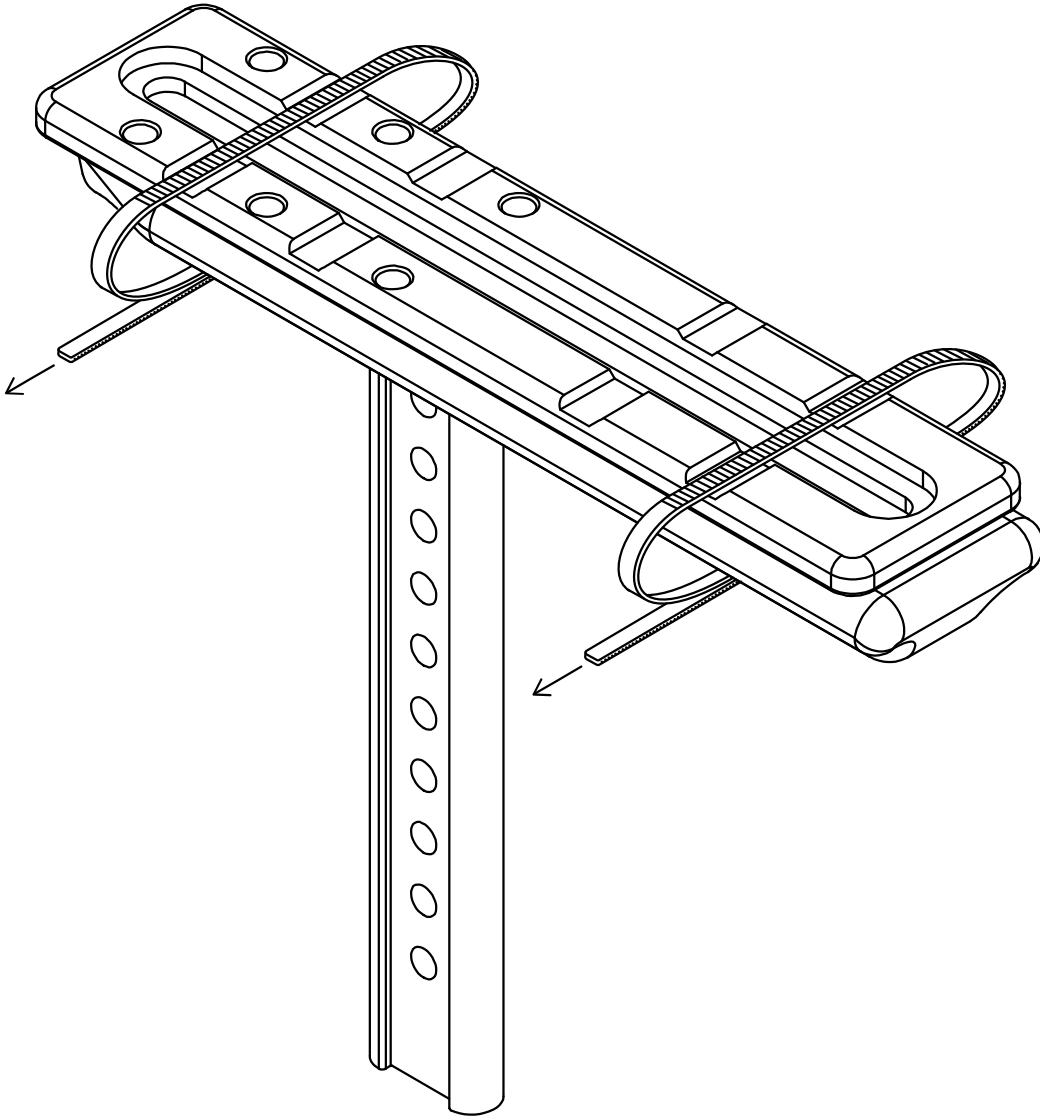




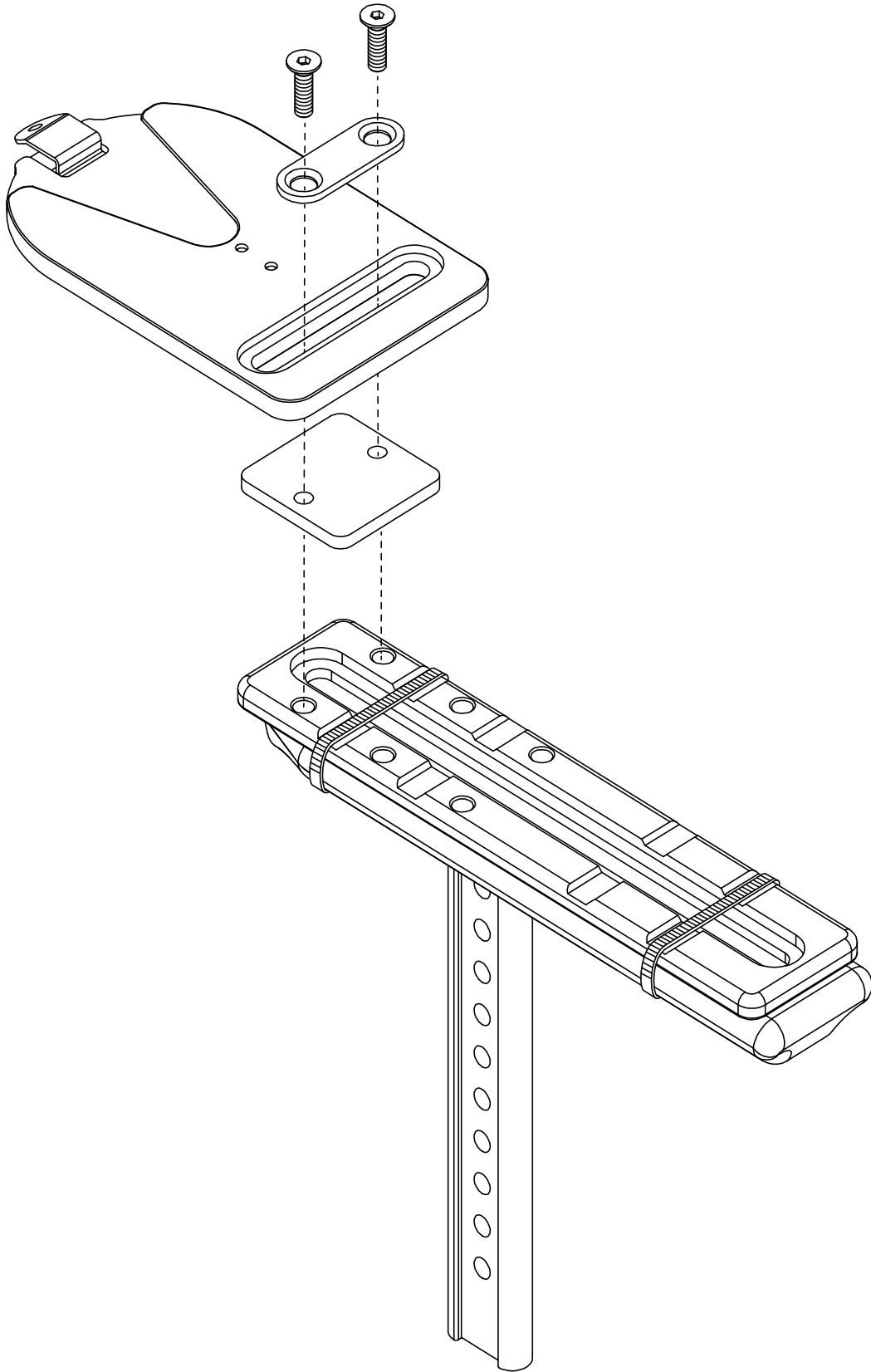
1



2



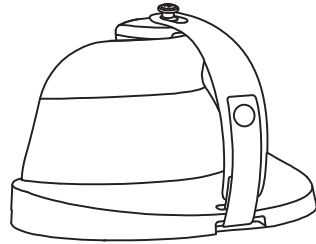
3



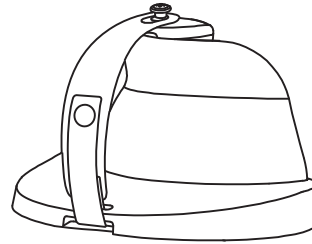
dynaaminen käsivarsituki

PAKETIN SISÄLTÖ

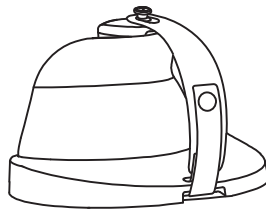
ART NOS.: AS001



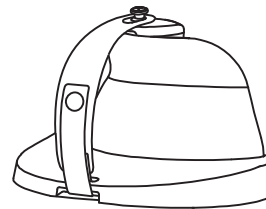
AS116L



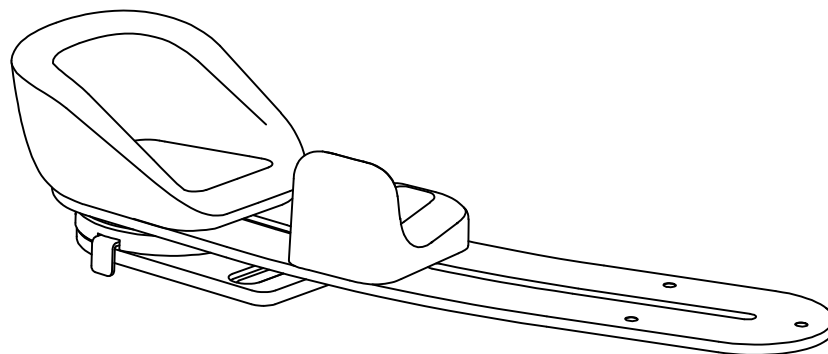
AS116R



AS115L



AS115R



AS200R



BP Bodypoint®

558 1st Avenue South
Suite 300
Seattle, WA 98104, USA

EC REP

Bodypoint Europe BV
Kerkstraat 29
7396 PG Terwolde, NL

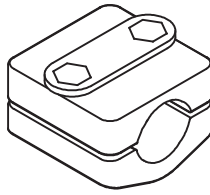


206.405.4555
800.547.5715



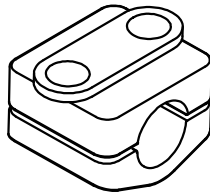
www.bodypoint.com





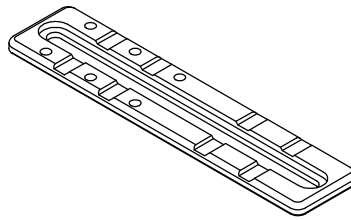
AS118

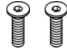

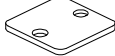
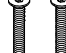
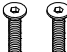
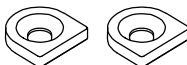



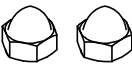


Ø22/25mm [7/8"/1"]



AS119

Ø19mm [3/4"]



 M6x20mm			 M5x35mm
 M6x35mm			 M5
 M6	 M5	 M6	 X4

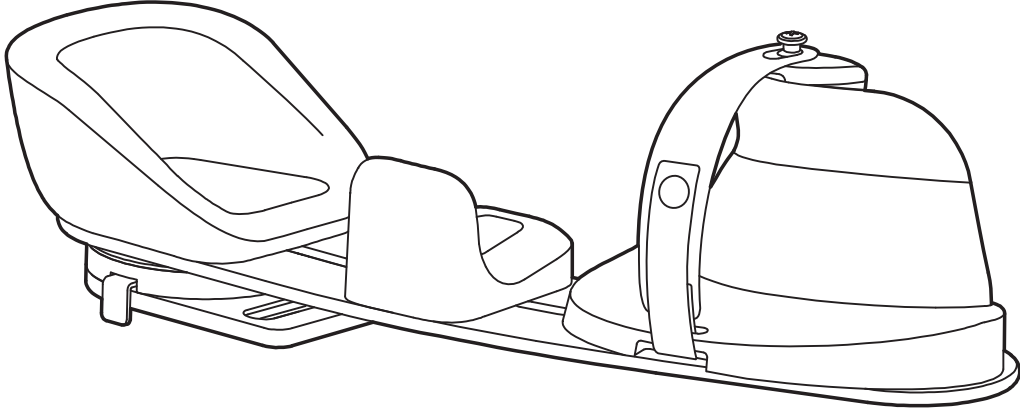
AS120

– dynaaminen käsivarsituki

TUOTENROT: AS201L, AS201R, AS202L, AS202R, AS200L, AS200R

ASENNUS- JA KÄYTTÖOHJEET

Nämä ohjeet sisältävät tärkeää tietoa Bodypoint®-käsivarsitukien turvallisesta käytöstä ja kunnossapidosta. Nämä ohjeet tulee antaa käyttäjälle tai hänen hoitajalleen. On myös tarkistettava, että ohjeet ymmärretään.



KÄYTTÖTARKOITUS:

Dynaaminen -käsivarsituki on kyynärpäälle, kyynärvarrelle ja kädelle suunniteltu dynaaminen ja liikuteltava tuki, joka voidaan kiinnittää manuaali- tai sähköpyörätuoliin. Se tukee yläraajoja, varmistaa olkapään toiminnallisen dynaamisen liikeradan ja antaa innovatiivista, joustavaa tukea kädelle edistämällä käden toimintaa ja auttaen minimoimaan koukistajan tonukset ja kontraktuurat.

Tämä tuote sisältää modulaarisia osia, joita voidaan säätää räätälöidyn ortoottisen istuvuuden varmistamiseksi. Nivelmekanismin ansiosta käyttäjät voivat harjoittaa olkapäätä toiminnallisella, dynaamisella liikeradalla. Ranne, käsivarsi sekä sormet saadaan asetettua käsituessa neutraaliin asentoon, jolloin minimoidaan koukistajien tonusta ja kontraktuuria.

Tämä tuote on suunniteltu kiinnitettäväksi erilaisiin, korkeudeltaan säädettävissä olevilla käsinojilla varustettuihin pyörätuolimalleihin, ja pikairrotustoiminnon ansiosta se voidaan helposti irrottaa kuljetusta varten. Parhaan kliinisen tuloksen varmistamiseksi käyttäjien tulisi ennen tuotteen käyttöä keskustella koulutetun terveydenhuollon ammattilaisen kanssa.



BP Bodypoint®

558 1st Avenue South
Suite 300
Seattle, WA 98104, USA

EC REP

Bodypoint Europe BV
Kerkstraat 29
7396 PG Terwolde, NL



206.405.4555
800.547.5715



www.bodypoint.com



VAROITUS! Apuvälinealan asiantuntijan tulee vastata tämän tuotteen asennuksesta ja kiinnittämisestä.

VAROITUS! Tätä tuotetta saa käyttää vain henkilön käsivarren tukemiseen pyörätuolissa. Tämän tuotteen väärinkäyttö on luvaton ja vaarallista.

VAROITUS! Käyttäjän käsivarsi on sijoitettava oikein käsivarsitukeen. Huonosti säädetty käsivarsituki voi saada käyttäjän käsivarren liukumaan ulos aiheuttaen olkapään sijoiltaanmenon tai pahentaa käden koukistimen tonusta. Terapeuttia tai teknikkoo tulee pyytää näyttämään sen oikea säätö ja käyttö.

VAROITUS! Jos käyttäjän fyysiset tai kognitiiviset valmiudet estävät häntä käyttämästä tätä tuotetta turvallisesti, hoitajan on oltava aina paikalla sen käytön aikana. On varmistettava, että kaikki hoitajat osaavat käyttää tuotetta oikein.

VAROITUS! Tämä tuote voi muuttaa henkilön istumistyyliä. Säännöllisiä painetta vähentäviä harjoituksia sekä ihon kunnon tarkistuksia tulee jatkaa. Jos ihon punoitus tai ärsytys lisääntyy, tulee käyttö lopettaa ja ottaa yhteys omaan

pätevään terveydenhuollon ammattilaiseen.

VAROITUS! Käyttäjää tulee tarkkailla aina nivellevyn lukituksen ollessa avattuna pyörimistä varten. Nivellevy on aina lukittava pyörätuolia ajettaessa tai sitä kuljetettaessa ajoneuvossa. Tällä vältetään vauriot tai loukkaantumiset, joita voi aiheutua oviaukkoihin tai muihin pyörätuolin vieressä oleviin esteisiin osumisesta.

VAROITUS! Tarkista kiinnityksen yhteydessä, että käsivarsituki on lukittuna tiukasti pikairrotussovitinlevyyn. Asentajan pitäisi kuulla selkeä naksahdus.

VAROITUS! Mikäli tämän tuotteen käytön yhteydessä ilmenee jokin vakava vaaratilanne, siitä on ilmoitettava valmistajalle (Bodypoint, Inc.) sekä paikalliselle toimivaltaiselle viranomaiselle.

VAROITUS! On turvallisempaa siirtyä pyörätuolistanne valmistajan asentamalle ajoneuvon istuimelle ja käyttää ajoneuvon törmäystestattua matkustajan liikkumisen eston järjestelmää. Mikäli ei käytetä asianmukaista liikkumisen eston järjestelmää ajoneuvossa, seurauksena voi olla vakava henkilövahinko tai kuolema.

SÄÄNNÖLLISET TURVALLISUUS- JA TOIMINTATARKASTUKSET:

Käyttäjäturvallisuuden varmistamiseksi tulee tarkastaa säännöllisesti, että tämä tuote toimii kunnolla sekä tutkittava, löytyykö siitä merkkejä kulumisesta. Mikäli tuote ei toimi oikein tai sen osissa havaitaan huomattavaa kulumista, tulee sen käyttö lopettaa ja ottaa yhteys Bodypoint®-laitteen toimittajaan asiantuntevaa korjausta tai laitteen vaihtoa varten. Epäpätevät henkilöt eivät saa missään olosuhteissa muokata tai korjata tätä tuotetta.

PUHDISTUS:

Tuotteen voi puhdistaa pyyhkimällä sen desinfiointiaineella tai lämpimään veteen ja saippuaan kostutetulla liinalla. Kuivaa pyyhkeellä tai anna kuivua itsestään. Pinnalle voidaan levittää mietoa desinfiointiainetta. Käsihihnan voi pestä koneessa valiten kuumen pesun (60 °C). Ei saa valkaista. Rumpukuivaus, matala lämpötila tai ripustetaan kuivumaan. Silitys kielletty.



HÄVITYS:

Tämä tuote on valmistettu materiaaleista, jotka voidaan hävittää turvallisesti ilman erityisiä varotoimia tuotteen käyttöänsä päätteeksi.

TAKUU:

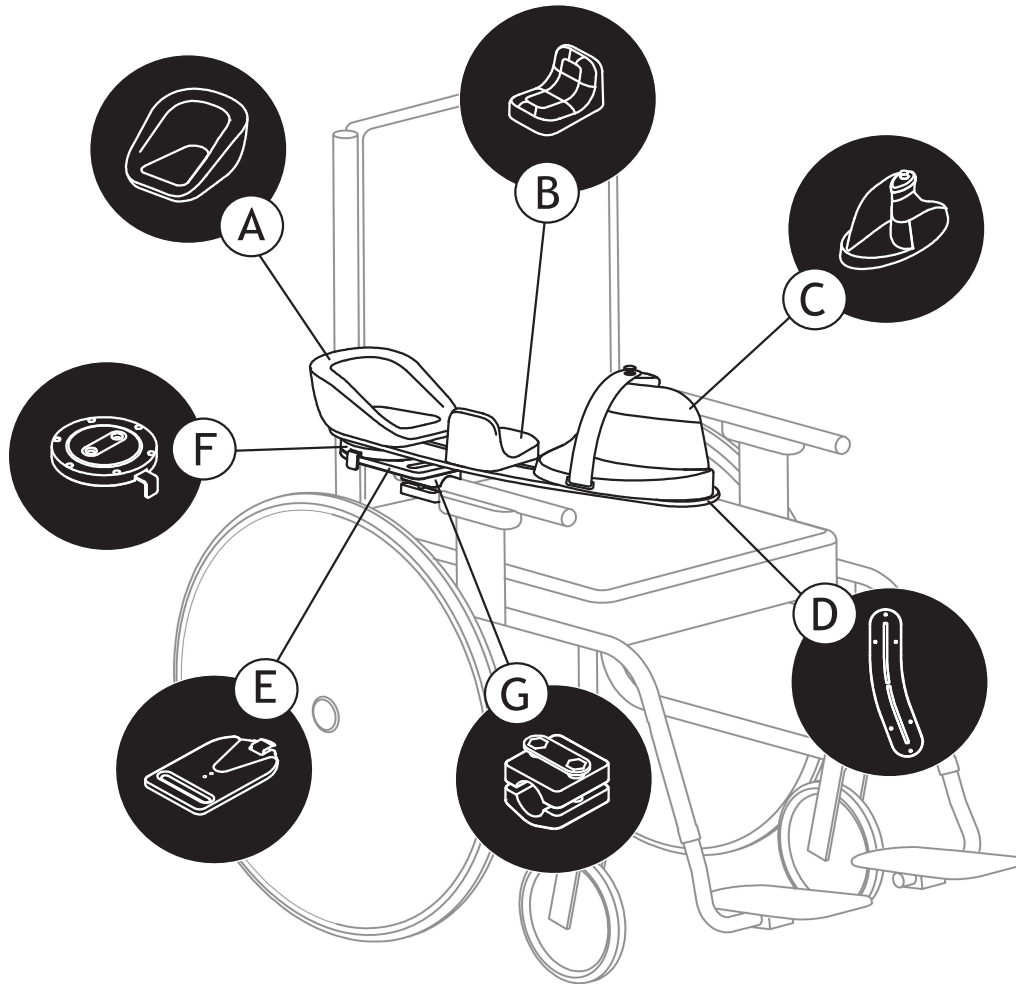
Tällä tuotteella on rajoitettu käyttöänsä kattava takuu valmistus- ja materiaalivikojen varalta, mikäli sellaisia ilmaantuu alkuperäisen kuluttajan käyttäessä tuotetta normaalisti. Takuun mukaisia korvauspyyntöjä voi esittää ottamalla yhteyden laitteen toimittajaan tai Bodypointiin®. Lisätietoja Bodypoint®-tuotteista sekä jälleenmyyjistä Yhdysvaltojen ulkopuolella löytyy osoitteesta www.bodypoint.com.

TARVITTAVAT TYÖKALUT

4 mm:n kuusiokoloavain	3 mm:n kuusiokoloavain Pikairrotussalvan valinnaista hienosäätöä varten
 4mm	 3mm

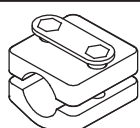
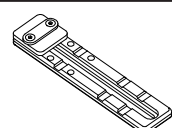
PAKETIN SISÄLTÖ

A	B	C	D	E	F
Kyynärpäähemmuste	Kyynärvarsihemmuste	Käsiosa ja -hihna	Pohjalevy	Pikairrotussovitinlevy	Nivellevy

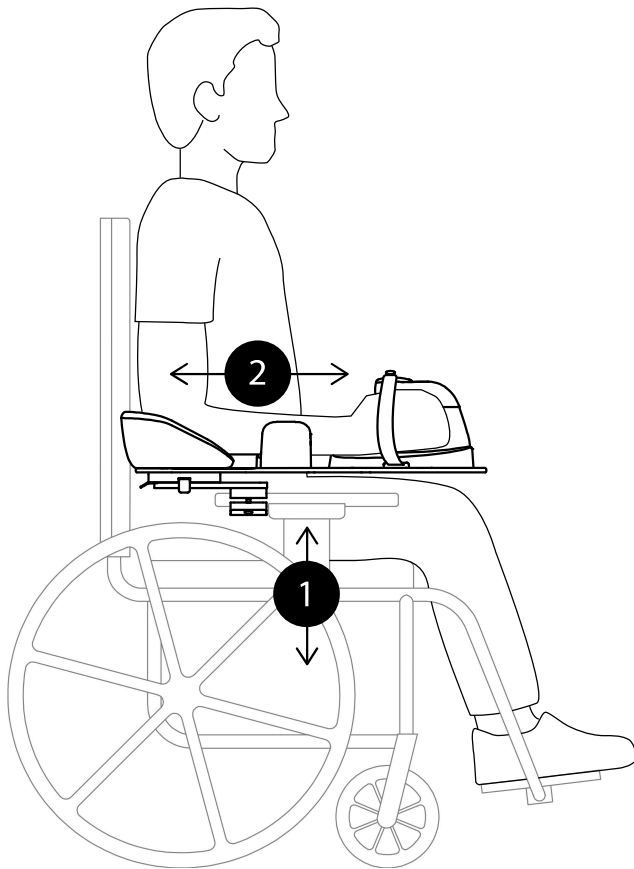


KIINNITYSTARVIKKEET

VALINNAINEN PURISTIN TAI LEVY MYYDÄÄN ERIKSEEN
KÄSINOJAN KIINNITYSPURISTIN NÄKYVÄLLÄ

G	H
<p>Käsinoja Kiinnityspidikkeet</p> <p>Yhteensopiva halkaisijaltaan 19 mm:n tai 22/25 mm:n pyöreän käsinojaputken kanssa</p>	<p>Käsinoja Kiinnityslevy</p> <p>Yhteensopiva seuraavien kanssa: Litteät käsinojat</p>
	

KÄSIVARSITUEN ASEMOINTI KÄYTTÄJÄÄ VARTEN



1. Korkeus

Ihanteellisen asemoinnin varmistamiseksi suositellaan käsinojaa, jonka korkeutta voi säätää.

Säädä käsinojan korkeus tukemaan kyynärpäätä niin, että käsivarren paine jakautuu tasaisesti eikä olkapää nouse.

2. Syvyys

Käsivarsitukea voidaan säätää eteen- tai taaksepäin löysentämällä käsinojan kiinnikkeissä olevia ruuveja.

Liu'uta käsivarsitukea eteen- tai taaksepäin käsinojasta haluttuun asentoon.

Lisätietoja: "NIVELLEVVYN YLIMÄÄRÄINEN HIENOSÄÄTÖ: SYVYYDEN LISÄSÄÄDÖT."

3. Sivusuuntainen

Käsivarsitukea säädetään lähemmäs käyttäjää tai kauemmas hänestä löysentämällä ruuveja, jotka kiinnittävät pikairrotettavan sovitinlevyn käsinojan kiinnikkeisiin.

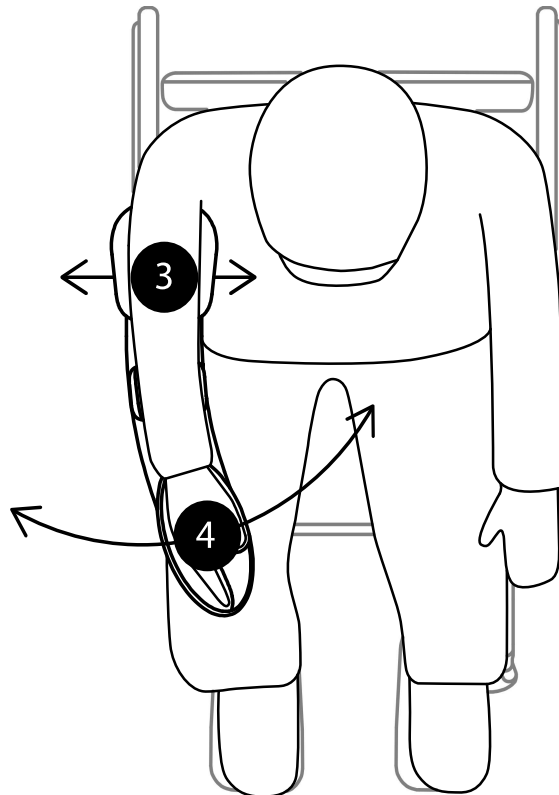
Liu'uta käsivarsitukea sisään- tai ulospäin ja kiristä sitten molemmat ruuvit uudestaan tiukalle.

4. Kulma

Nivellevyn kiertymisväli sisään- ja ulospäin on 60 astetta. Käsivarsituen kulma valitaan vetämällä nivellevyn kieleke ulos ja sijoittamalla käsivarsituki oikeaan kohtaan.

Kulmaa voidaan säätää 5 asteen lisäyksin. Kun haluttu kulma löytyy, se lukitaan työntämällä kääntölevyn kieleke sisään.

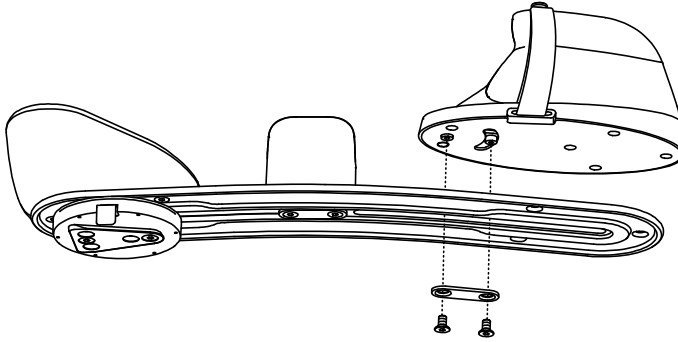
Lisätietoja: "NIVELLEVVYN YLIMÄÄRÄINEN HIENOSÄÄTÖ: YLIMÄÄRÄISET SISÄÄN- JA ULOSPÄIN KIERRON RAJOITUKSET."



KÄSIVARSITUEN ASENNUS

Irrota pikairrotettava vastaosa käsivarsituesta ennen asennusta. Lisätietoja: "PIKAIRROTETTAVAN SOVITINLEVYVN KÄYTTÖ."

1. Kiinnitä pikairrotettava vastaosa pyörätuolin käsinojaan valinnaisilla käsinojan kiinnitystarvikkeilla. Kiristä kiinnitysruuvit vain osittain, jotta niitä voidaan säätää. Lisätietoja löytyy valinnaisten kiinnitystarvikkeiden mukana toimitetuista ohjeista.

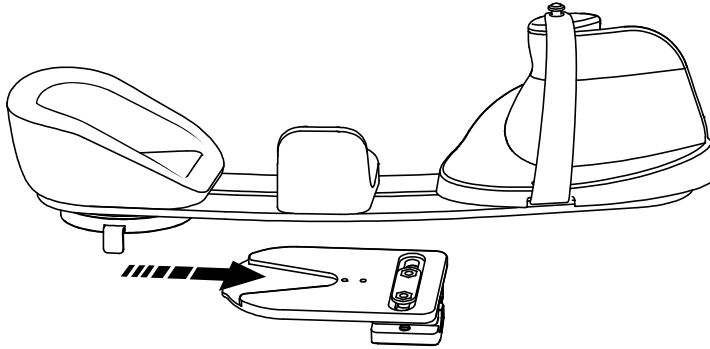


2. Käsiosa kiinnitetään pohjalevyyn aluslevyllä ja mukana toimitetuilla M6-ruuveilla (2).

Huomautus: älä kiristä ruuveja kokonaan, ennen kuin lopulliset säädöt on tehty käyttäjälle sopiviksi.

3. Liu'uta käsivarsituki pikairrotettavaan sovitinlevyyn – pikairrotussalvan pitäisi lukittua selkeästi naksahdusella.

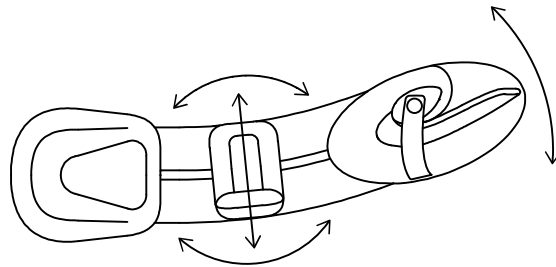
H u o m a u t u s :
Pikairrotussalvaa voidaan säätää kaiken liikkuvuuden poistamiseksi löysäämällä pohjassa olevia M5-ruuveja (2) 3 mm:n kuusiokoloavaimella. Paina pikairrotussalvaa tiukasti pikairrotuskiilan takareunaa vasten ruuvien kiristämisen aikana sen paikalleen kiinnittämiseksi.



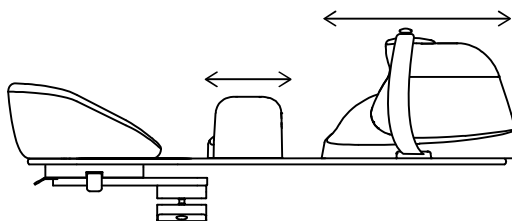
KYYNÄRVARREN PEHMUSTEEN JA KÄSIOSAN SÄÄTÄMINEN

Aloita asettamalla käyttäjän kyynärpää kyynärpääpehmusteeseen.

Käsiosaa säädetään löysäämällä M6-ruuveja (2) ja liu'uttamalla käsiosaa pohjalevyä pitkin käyttäjän kyynärvarren siirtymisen estämiseksi. Kiristä takaruuvia, kunnes se on tiukalla, ja säädä sitten käsiosan kulmaa 0-30° käden ja ranteen asettamiseksi oikein. Käsiosa kiinnitetään paikalleen kiristämällä molemmat ruuvit kokonaan.



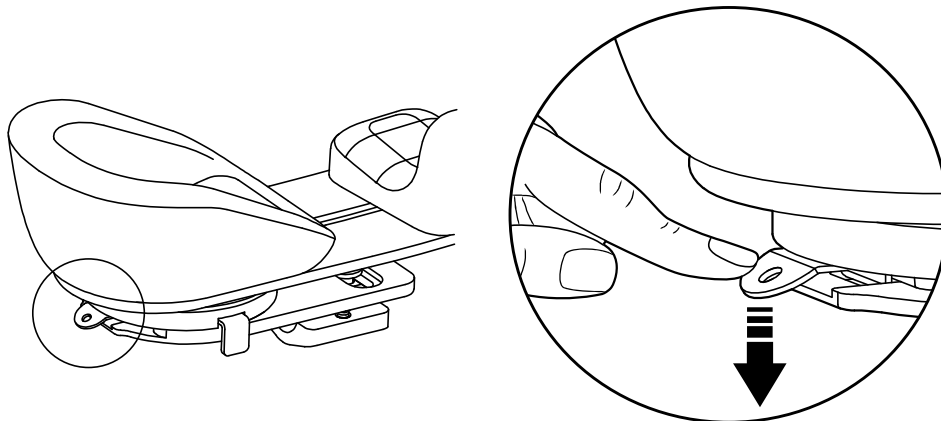
Kyynärvarren pehmustetta säädetään löysentämällä M6-ruuveja (2) ja liu'uttamalla kyynärvarren pehmustetta pohjalevyä pitkin käyttäjän käsivarren asettamiseksi ranteen taakse. Sitä voidaan säätää sisään tai ulos, kiertää tai asentaa päinvastaiseen suuntaan käsivarren liikkeen tukemiseksi tai rajoittamiseksi. Kiristä ruuvit uudelleen.



PIKAIRROTETTAVAN SOVITINLEVYN KÄYTTÖ

Lukitus vapautetaan irrottamista varten painamalla pikairrotussalppaa alaspäin.

Käsivarsituki asennetaan takaisin liu'uttamalla se pikairrotusvastaosaan, kunnes se naksahdaa kiinni kuuluvasti.

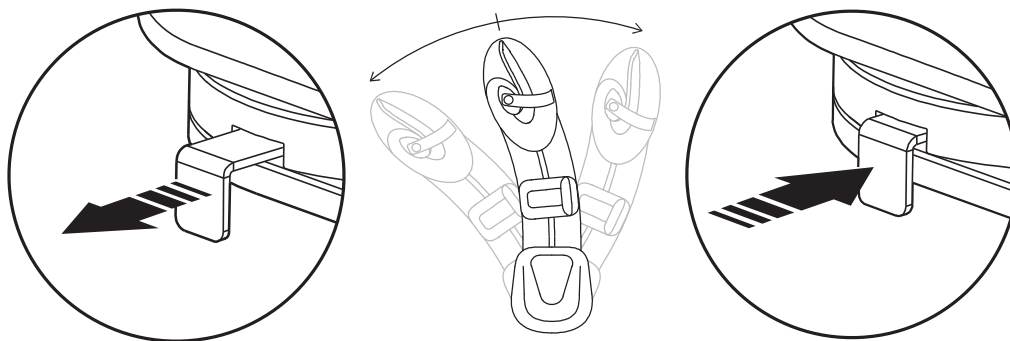


NIVELLEUVYN LUKITSEMINEN/AVAAMINEN

Käsivarsituen lukitus voidaan avata dynaamisen liikkeen sallimiseksi tai se voidaan lukita käsivarren pitämiseksi paikoillaan.

Lukitus avataan vetämällä nivellevyn kieleke ulos. Käsivarsituki voi nyt kiertyä vapaasti 60 astetta sisään- ja ulospäin.

Lukitus tapahtuu painamalla nivellevyn kieleke sisään. Käsivarsituki voidaan lukita 5 asteen lisäyksin.



LUKITUKSEN VAPAUTUS

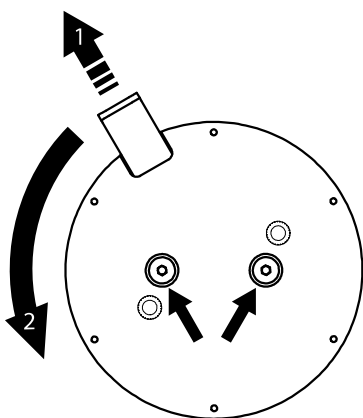
NIVELTYMINEN

LUKITUS

VAROITUS! Käyttäjää tulee tarkkailla aina nivellevyn lukituksen ollessa avattuna pyörimistä varten. Nivellevy on aina lukittava pyörätuolia ajettaessa tai sitä kuljetettaessa ajoneuvossa. Tällä vältetään vauriot tai loukkaantumiset, joita voi aiheutua oviaukkoihin tai muihin pyörätuolin vieressä oleviin esteisiin osumisesta.

NIVELLEVYN YLIMÄÄRÄINEN HIENOSÄÄTÖ

SYVYYDEN LISÄSÄÄDÖT



Lisäsäätöjä voidaan tehdä asettamalla nivellevy uudelleen enintään 20 mm:n päähän pohjalevystä.

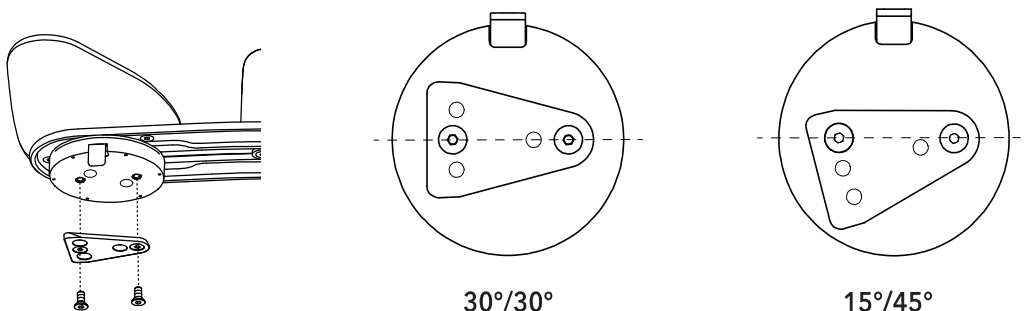
Kiinnitysruuvit saa esiin irrottamalla pikairrotuskiilan ja vetämällä nivellevyn kielekettä ulospäin sen lukituksen avaamiseksi. Tämän jälkeen sitä kierretään, kunnes M6-kiinnitysruuvit tulevat näkyviin kahdesta läpimenoireiästä.

Löysää molempia ruuveja, jotta nivellevy liukuu eteenpäin. Kiristä sitten molemmat ruuvit kokonaan ja laita pikairrotuskiila takaisin paikalleen.

YLIMÄÄRÄISET SISÄÄN- JA ULOSPÄIN KIERRON RAJAT

Vakioasetuksella nivellevyä voi kiertää neutraaliasennosta 30° sisään ja 30° ulos (kohdistettuna tuolin käsinojaan). Toiminto on aina sama riippumatta siitä, onko asennus tehty oikealle vai vasemmalle puolelle.

Jotkut käyttäjät pystyvät kiertämään käsivartta enemmän sisäänpäin, ja tuki voidaan mukauttaa tähän asettamalla pikairrotuskiila uudelleen nivellevyn pohjaan, jolloin kierto sisäänpäin on 45° ja ulospäin 15°.



TURVALLISUUS- JA TOIMINTATARKASTUKSET

Käyttäjän on istuuduttava pyörätuoliin ennen turvatarkastuksen tekemistä.

1. NORMAALI TOIMINTA

Tarkista, voiko käsivarsi jäädä puristuksiin tai löytyykö irtonaisia osia.

2. MUKAVUUS

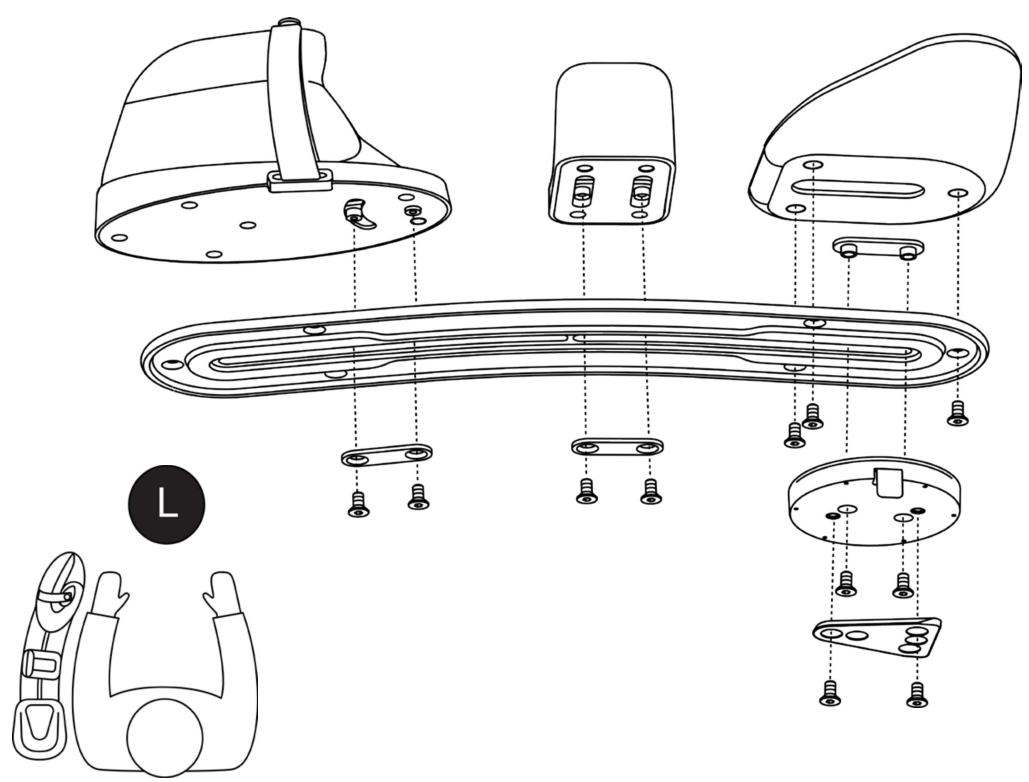
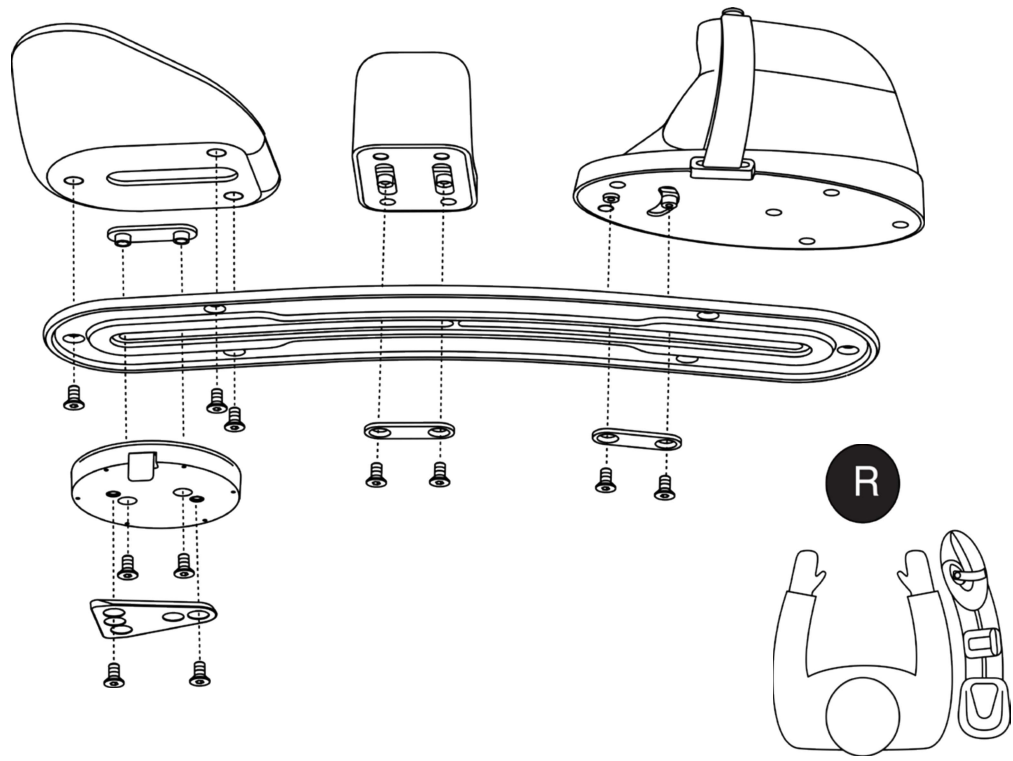
Katso, näkyykö kohtia, joissa esiintyisi ärsytystä.

3. ASENTO

Varmista käyttäjän ylävartalon ja olkapäiden oikea asento.

4. YLIMÄÄRÄINEN

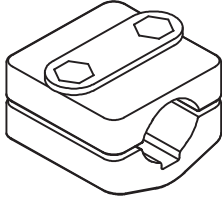
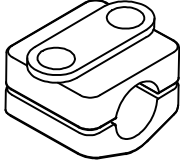
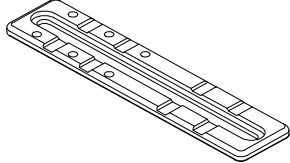
Liikuta tuolia koko liikeradan läpi - myös kallistamalla sitä, taivuttamalla sen kokoon ja rullaamalla - tarkistaen, häiritseekö käsivarsituki liikettä jollain tapaa ja säädä sitä tarvittaessa.



dynaaminen käsivarsituki

KÄYTTÖOHJEET: KIINNITYSTARVIKKEET

ART NOS.: AS118, AS119, AS120

		
AS118	AS119	AS120
Käsinoja Kiinnityspidikkeet Yhteensopiva halkaisijaltaan 22/25 mm:n pyöreään käsinojaputken kanssa	Käsinoja Kiinnityspidikkeet Yhteensopiva halkaisijaltaan 19 mm:n pyöreään käsinojaputken kanssa	Käsinoja Kiinnityslevy Yhteensopiva seuraavien kanssa: Litteät käsinojat

VAROITUS Apuvälinealan asiantuntijan tulee vastata tämän tuotteen asennuksesta ja kiinnittämisestä.

VAROITUS Tarkista kiinnityksen yhteydessä, että käsivarsituki on lukittuna tiukasti pikairrotussovitinlevyyn. Asentajan pitäisi kuulla selkeä naksahdus.

VAROITUS Mikäli tämän tuotteen käytön yhteydessä ilmenee jokin vakava vaaratilanne, siitä on ilmoitettava valmistajalle (Bodypoint, Inc.) sekä paikalliselle toimivaltaiselle viranomaiselle.

TURVALLISUUS- JA TOIMINTATARKASTUKSET

Käyttäjäturvallisuuden varmistamiseksi tulee tarkastaa säännöllisesti, että tämä tuote toimii kunnolla sekä tutkittava, löytyykö siitä merkkejä kulumisesta. Mikäli tuote ei toimi oikein tai sen osissa havaitaan huomattavaa kulumista, tulee sen käyttö lopettaa ja ottaa yhteys Bodypoint®-laitteen toimittajaan asiantuntevaa korjausta tai laitteen vaihtoa varten. Epäpätevät henkilöt eivät saa missään olosuhteissa muokata tai korjata tätä tuotetta.

TAKUU

Tällä tuotteella on rajoitettu käyttöiän kattava takuu valmistus- ja materiaalivikojen varalta, mikäli sellaisia ilmaantuu alkuperäisen kuluttajan käyttäessä tuotetta normaalisti. Takuun mukaisia korvauspyyntöjä voi esittää ottamalla yhteyden laitteen toimittajaan tai Bodypointiin®. Lisätietoja Bodypoint®-tuotteista sekä jälleenmyyjistä Yhdysvaltojen ulkopuolella löytyy osoitteesta www.bodypoint.com.



Bodypoint®

558 1st Avenue South
Suite 300
Seattle, WA 98104, USA

EC REP

Bodypoint Europe BV
Kerkstraat 29
7396 PG Terwolde, NL



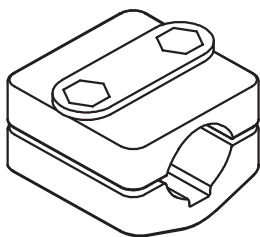
206.405.4555
800.547.5715



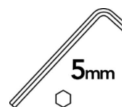
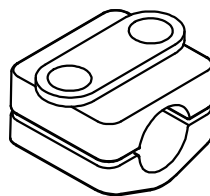
www.bodypoint.com



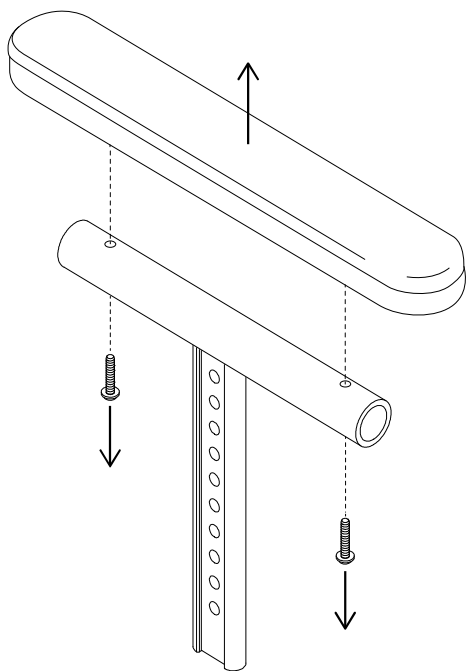
AS118



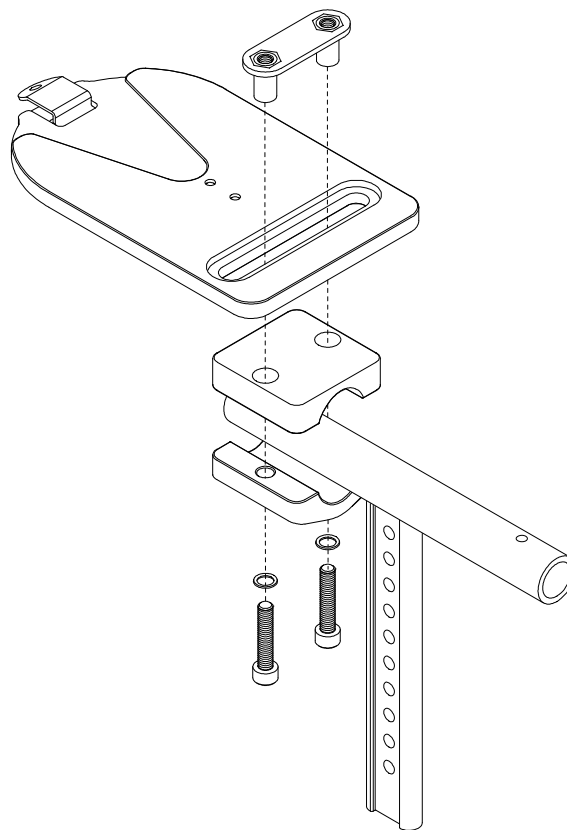
AS119



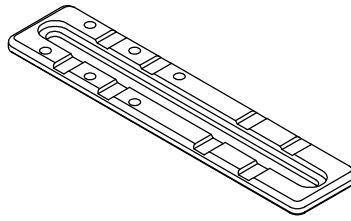
1



2

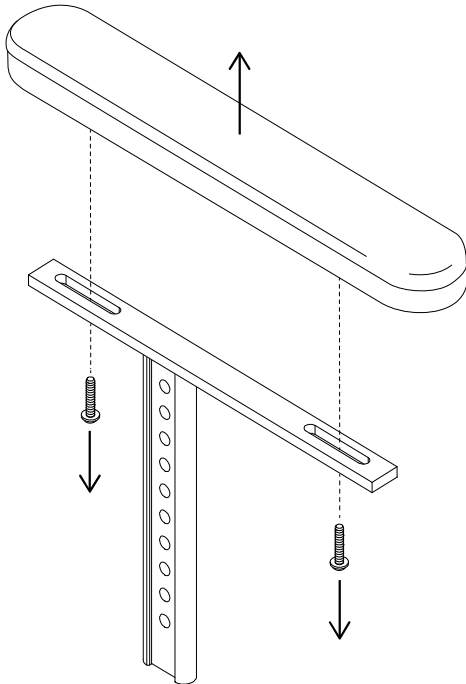


AS120

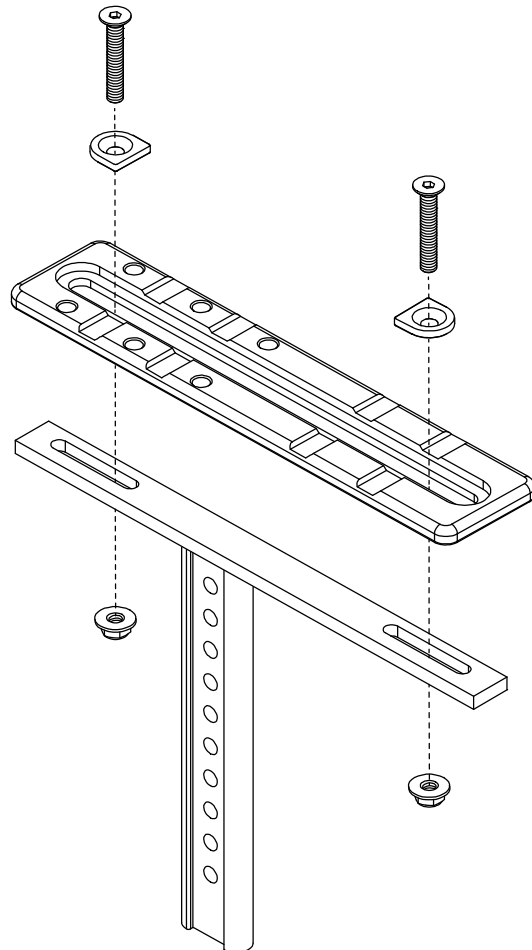


 M6x20m	 M6	 M6x35mm	 M5x35mm
		 M6	 M5
		 M6	 M5

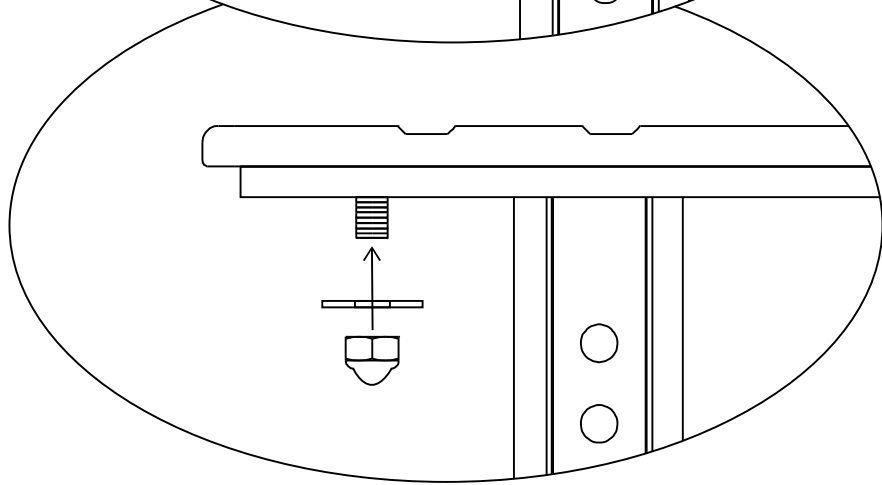
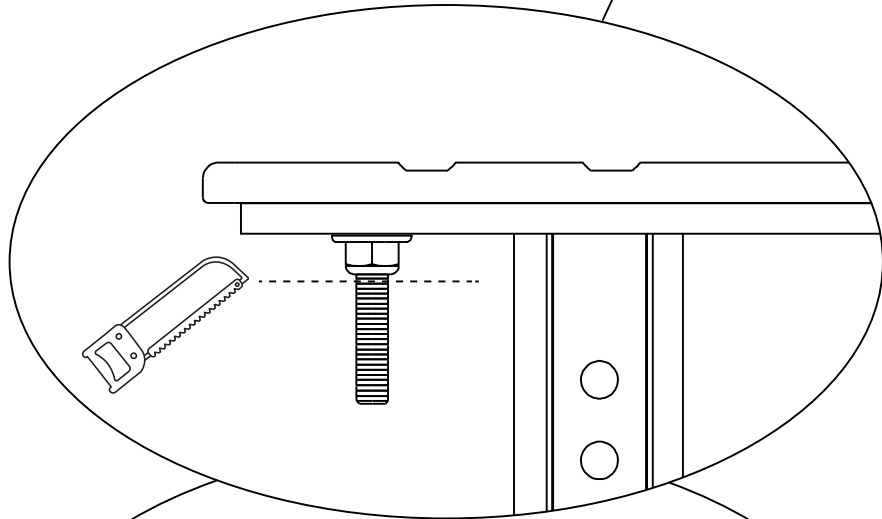
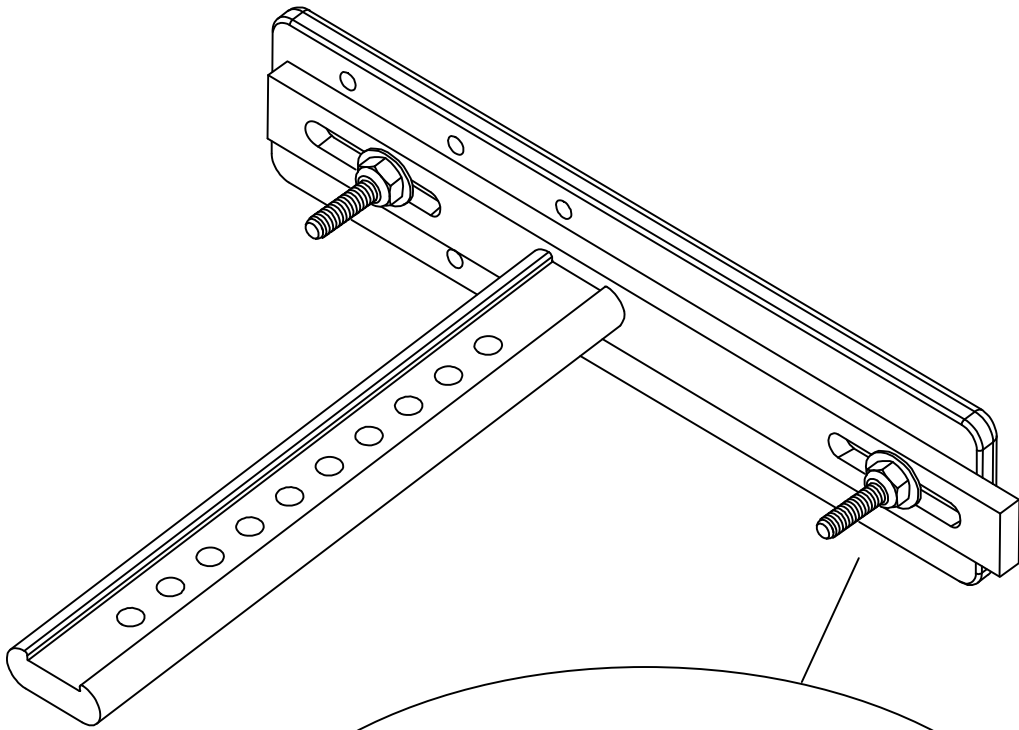
1



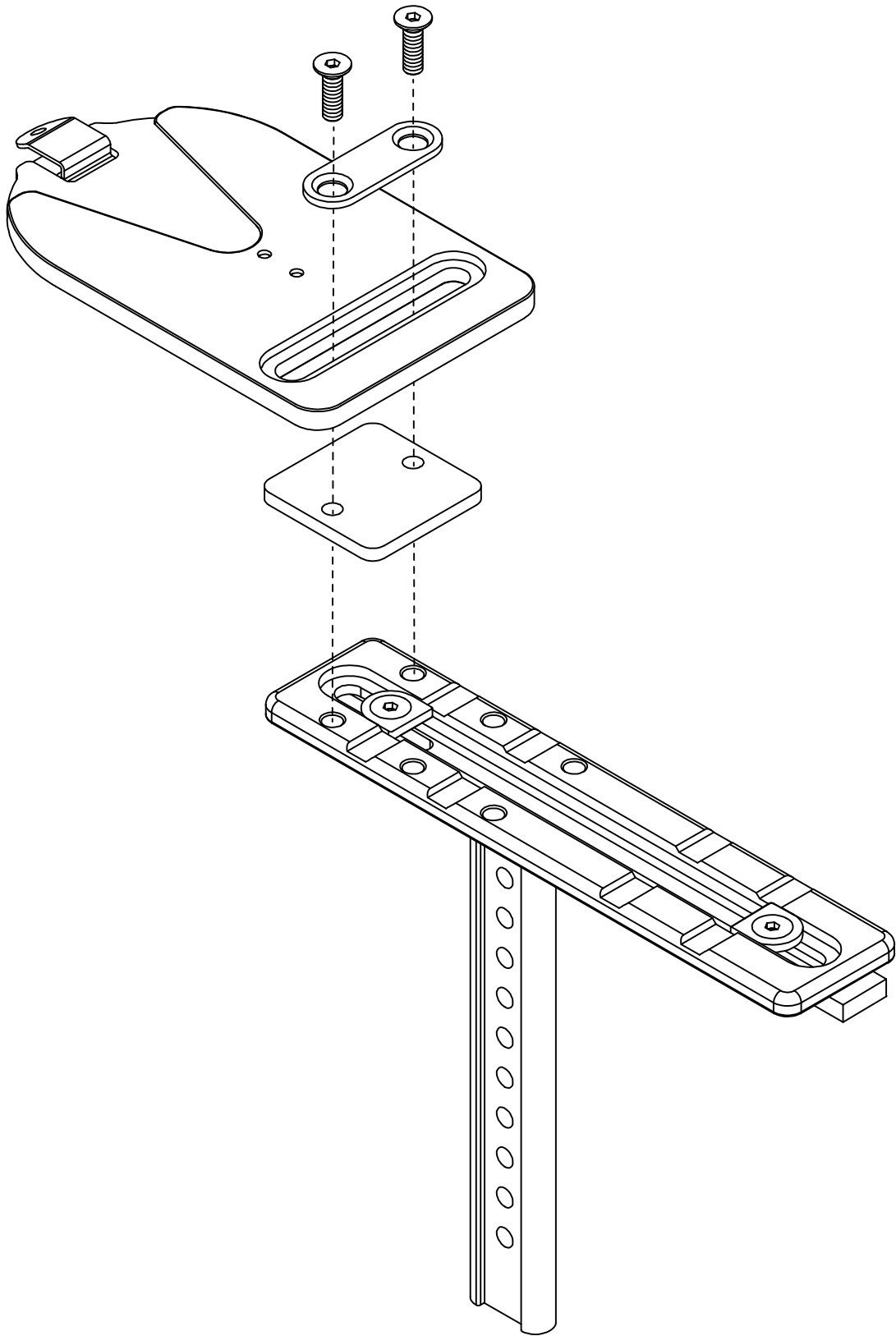
2

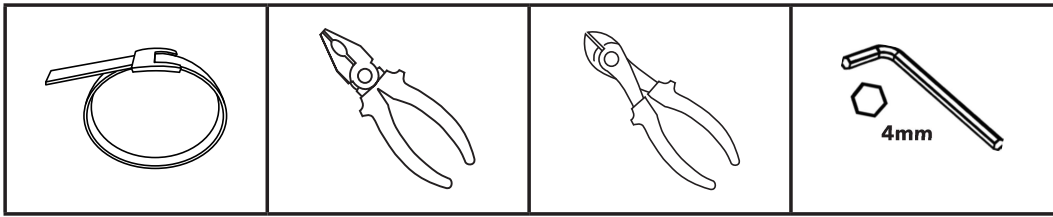


3

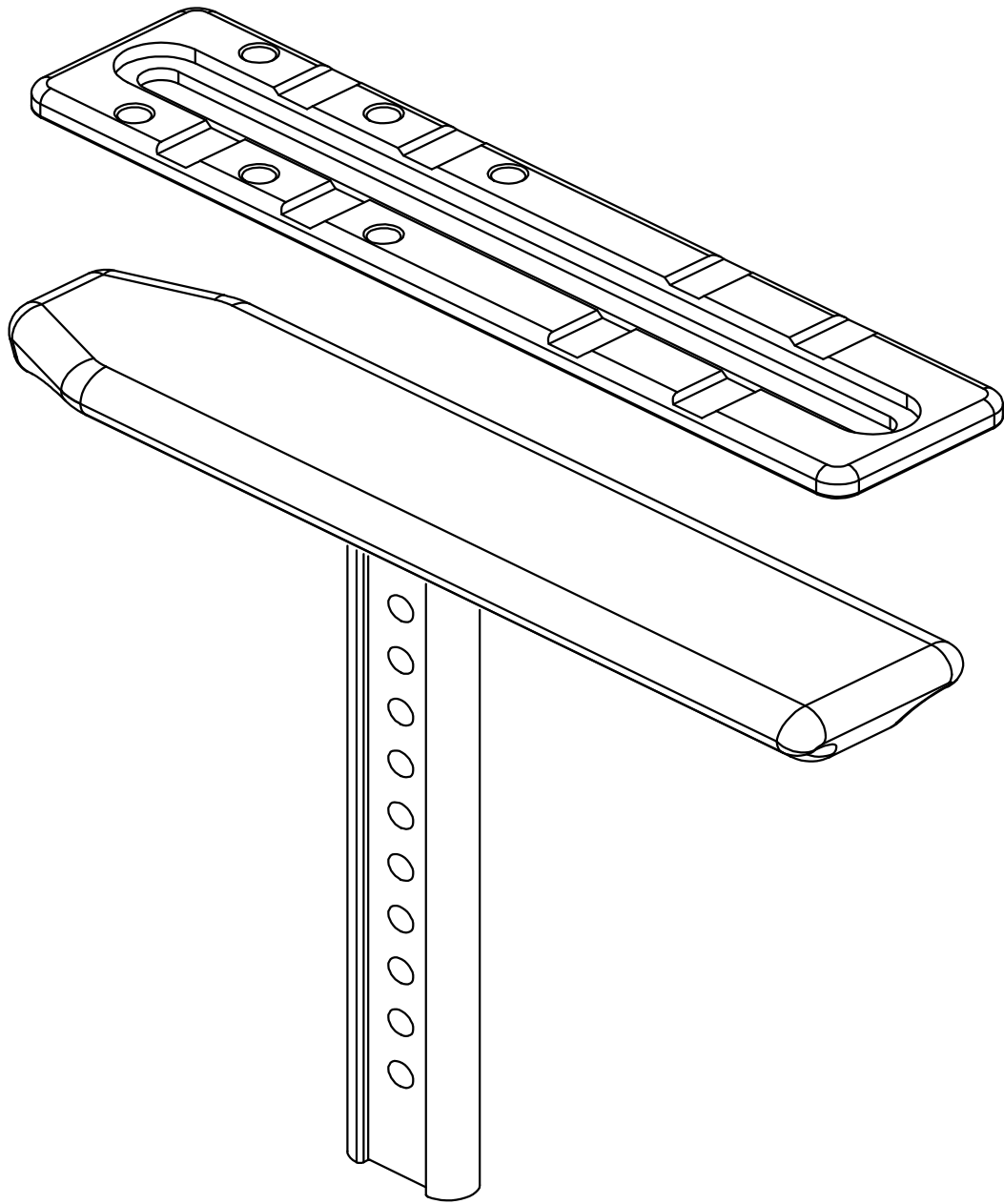


4

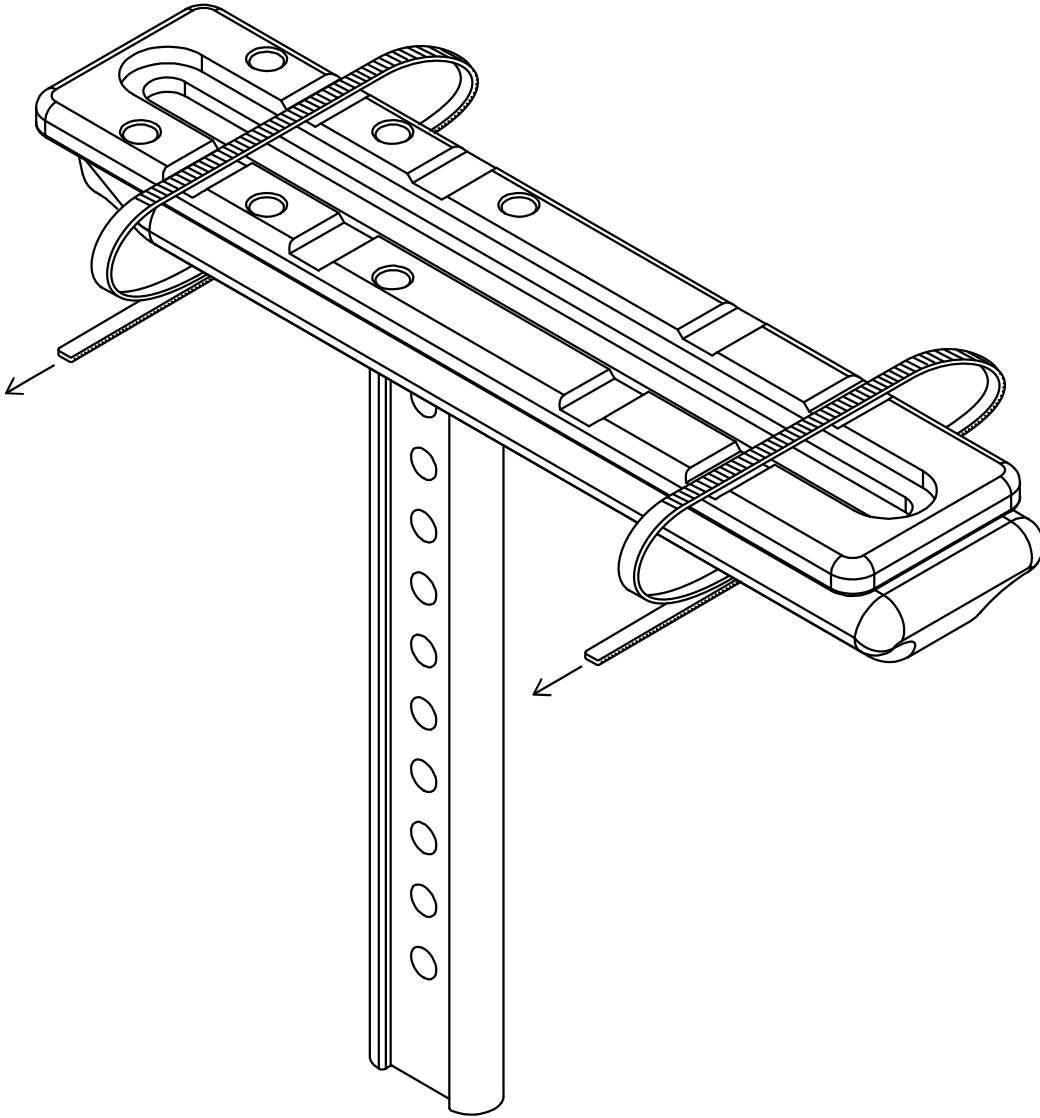




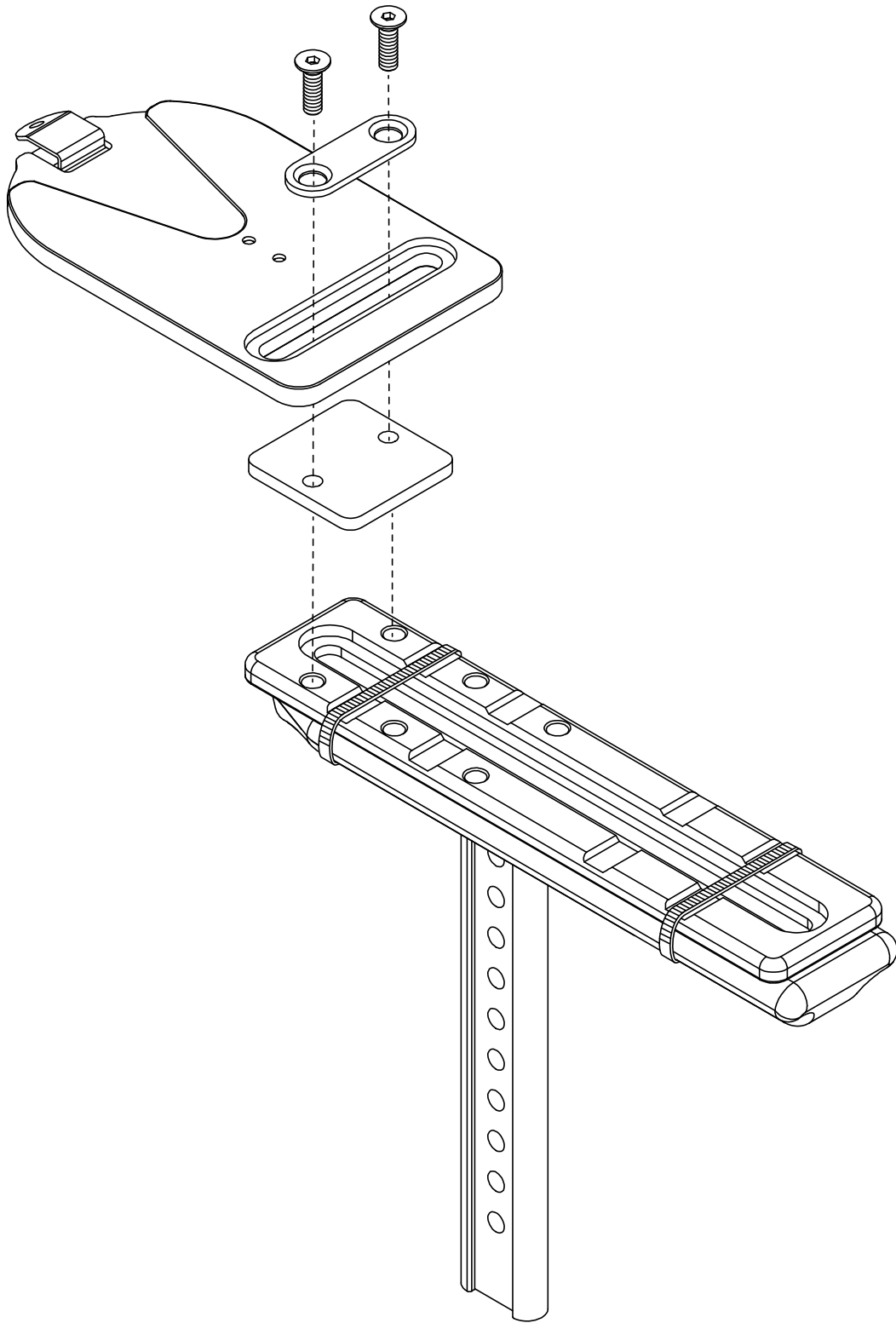
1



2



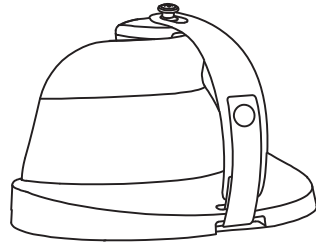
3



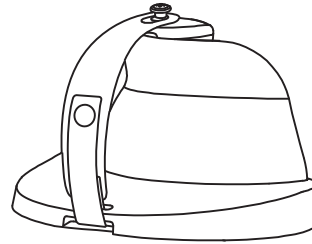
Support dynamique pour les membres

CONTENU DE L'EMBALLAGE

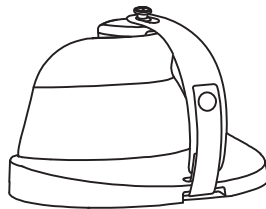
ART NOS.: AS001



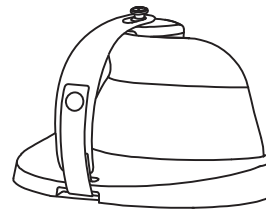
AS116L



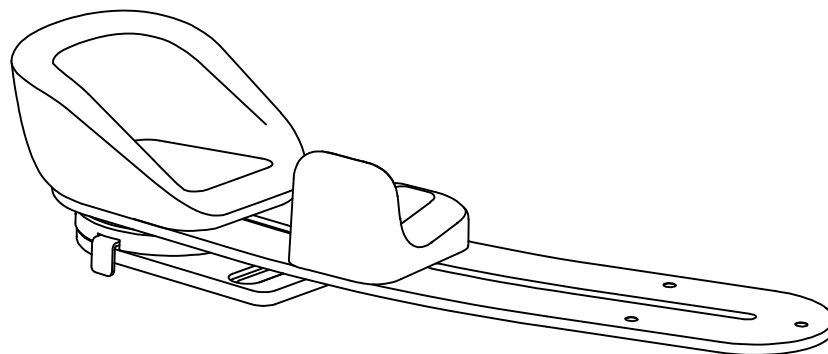
AS116R



AS115L



AS115R



AS200R

 **Bodypoint**
558 1st Avenue South
Suite 300
Seattle, WA 98104, USA

EC REP

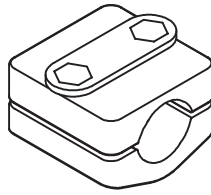
Bodypoint Europe BV
Kerkstraat 29
7396 PG Terwolde, NL

CE 206.405.4555
800.547.5715



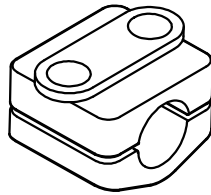
www.bodypoint.com

MD



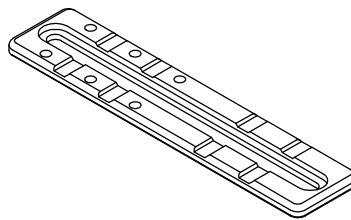
AS118

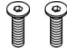

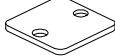

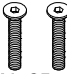







Ø22/25mm [7/8"/1"]



AS119

Ø19mm [3/4"]



 M6x20mm			 M5x35mm
 M6x35mm			 M5
 M6	 M5	 M6	 X4

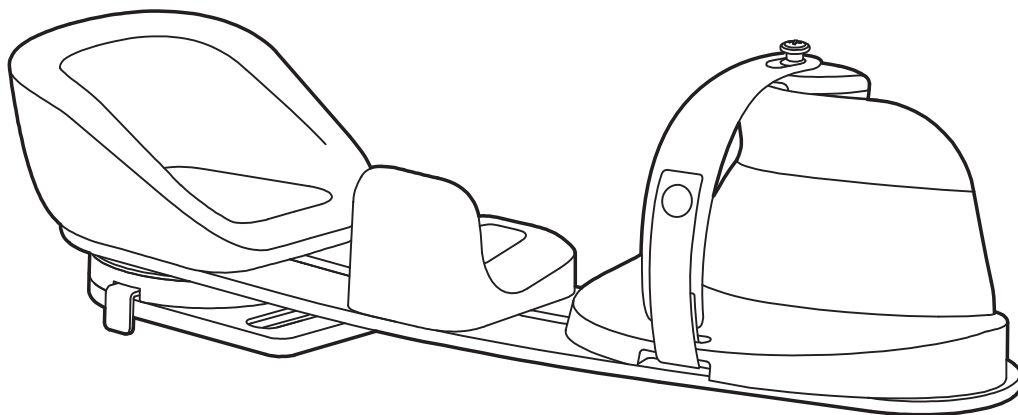
AS120

Support dynamique pour les membres supérieurs

NUMÉROS D'ARTICLE : AS201L, AS201R, AS202L, AS202R, AS200L, AS200R

INSTRUCTIONS D'INSTALLATION ET D'UTILISATION

Ces instructions fournissent des informations importantes pour une utilisation et un entretien sûrs des supports des membres supérieurs Bodypoint®. Remettez ces instructions à l'utilisateur ou à son soignant.



UTILISATION PRÉVUE :

Le support dynamique pour les membres supérieurs est un support dynamique pour le coude, l'avant-bras et la main qui se fixe sur un fauteuil roulant manuel ou électrique. Il fournit un soutien pour les extrémités supérieures, une amplitude fonctionnelle dynamique de mouvement au niveau de l'épaule et un soutien de la main innovant et flexible qui favorise la fonction de la main et aide à réduire le tonus des fléchisseurs et les contractures.

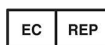
Ce produit inclut des composants modulaires qui peuvent être réglés pour un ajustement orthétique personnalisé. Un mécanisme de pivot permet à l'utilisateur de faire travailler l'épaule dans une amplitude fonctionnelle et dynamique. Le soutien flexible de la main aide à positionner le poignet et les doigts dans un alignement neutre et à réduire le tonus des fléchisseurs et les contractures.

Ce produit est conçu pour être monté sur de nombreux modèles de fauteuils roulants avec des accoudoirs réglables en hauteur et peut s'enlever en toute facilité pour les transferts grâce à la fonction de dégagement rapide. Pour garantir les meilleurs résultats cliniques, les utilisateurs doivent consulter un professionnel de santé qualifié avant d'utiliser ce produit.



Bodypoint®

558 1st Avenue South
Suite 300
Seattle, WA 98104, USA



Bodypoint Europe BV
Kerkstraat 29
7396 PG Terwolde, NL



206.405.4555
800.547.5715



www.bodypoint.com



⚠ ATTENTION ! Ce produit doit être installé et ajusté par un technicien en réadaptation qualifié.

⚠ ATTENTION ! Ce produit doit être utilisé uniquement pour le positionnement du membre supérieur d'une personne en fauteuil roulant. Toute mauvaise utilisation de ce produit est non autorisée et dangereuse.

⚠ ATTENTION ! Le bras de l'utilisateur doit être correctement positionné dans le support pour membres supérieurs. Un support pour les membres supérieurs mal ajusté pourrait permettre au bras de glisser et disloquer l'épaule ou d'aggraver le tonus des fléchisseurs de la main. Demandez à votre thérapeute ou technicien de faire une démonstration du réglage et de l'utilisation appropriés.

⚠ ATTENTION ! Si les capacités physiques ou cognitives de l'utilisateur l'empêchent d'utiliser ce produit en toute sécurité, un soignant doit toujours être présent lors de son utilisation. Assurez-vous que tous les soignants savent comment utiliser correctement le produit.

⚠ ATTENTION ! Ce produit peut modifier la façon dont une personne s'assoit. Continuez à pratiquer régulièrement des activités de

soulagement de la pression et des contrôles de l'intégrité de la peau. En cas de rougeur ou d'irritation cutanée accrue, cessez l'utilisation et consultez votre professionnel de santé qualifié.

⚠ ATTENTION ! Surveillez toujours l'utilisateur lorsque la plaque pivotante est déverrouillée pour pivoter. La plaque pivotante devrait toujours être verrouillée lors de la conduite du fauteuil roulant ou de son transport dans un véhicule afin d'éviter les dommages ou les blessures qui pourraient résulter d'un choc avec des portes ou d'autres obstacles situés près du côté du fauteuil.

⚠ ATTENTION ! Lors du montage, vérifiez que le support pour les membres supérieurs est fermement verrouillé dans la plaque d'adaptation à dégagement rapide. L'installateur devrait entendre un « clic » audible.

⚠ ATTENTION ! Si un incident grave lié à l'utilisation de ce produit se produit, il doit être signalé au fabricant (Bodypoint, Inc.) et à l'autorité compétente locale.

⚠ ATTENTION ! Il est plus sûr de passer de votre fauteuil roulant à un siège du véhicule installé par le fabricant et d'utiliser le système de retenue des occupants du véhicule testé pour les collisions. Ne pas utiliser l'équipement de retenue approprié dans un véhicule peut entraîner des blessures graves, voire la mort.

CONTRÔLES PÉRIODIQUES DE SÉCURITÉ ET DE PERFORMANCE :

Afin de garantir la sécurité de l'utilisateur, ce produit doit faire l'objet de contrôles périodiques pour vérifier son fonctionnement et les signes d'usure. Si le produit ne fonctionne pas correctement ou si une usure importante des pièces est constatée, cessez de l'utiliser et contactez votre fournisseur pour une réparation qualifiée ou un remplacement par Bodypoint®. Ce produit ne doit en aucun cas être modifié ou réparé par des personnes non qualifiées.

NETTOYAGE :

Ce produit peut être nettoyé en l'essuyant avec un désinfectant ou un chiffon imbibé d'eau chaude et de savon. Sécher avec une serviette ou à l'air libre. Un désinfectant doux peut être appliqué sur la surface. Pour nettoyer la sangle pour main, la laver en machine à 60 °C (140 °F). Ne pas blanchir. Sécher au séchoir à basse température ou sur cintre. Ne pas repasser.

MISE AU REBUT/ÉLIMINATION :

Le produit est composé de matériaux qui peuvent être éliminés en toute sécurité sans précautions particulières au terme de leur durée de vie utile.

GARANTIE :

Ce produit bénéficie d'une garantie à vie contre les défauts de fabrication et de matériaux survenant dans le cadre d'une utilisation normale par le consommateur d'origine. Contactez votre fournisseur ou Bodypoint® réclamation au titre de la garantie. Pour plus d'informations sur les produits Bodypoint® et les distributeurs en dehors des États-Unis, visitez www.bodypoint.com.

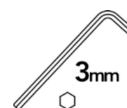
OUTILS REQUIS

Clé Allen 4 mm



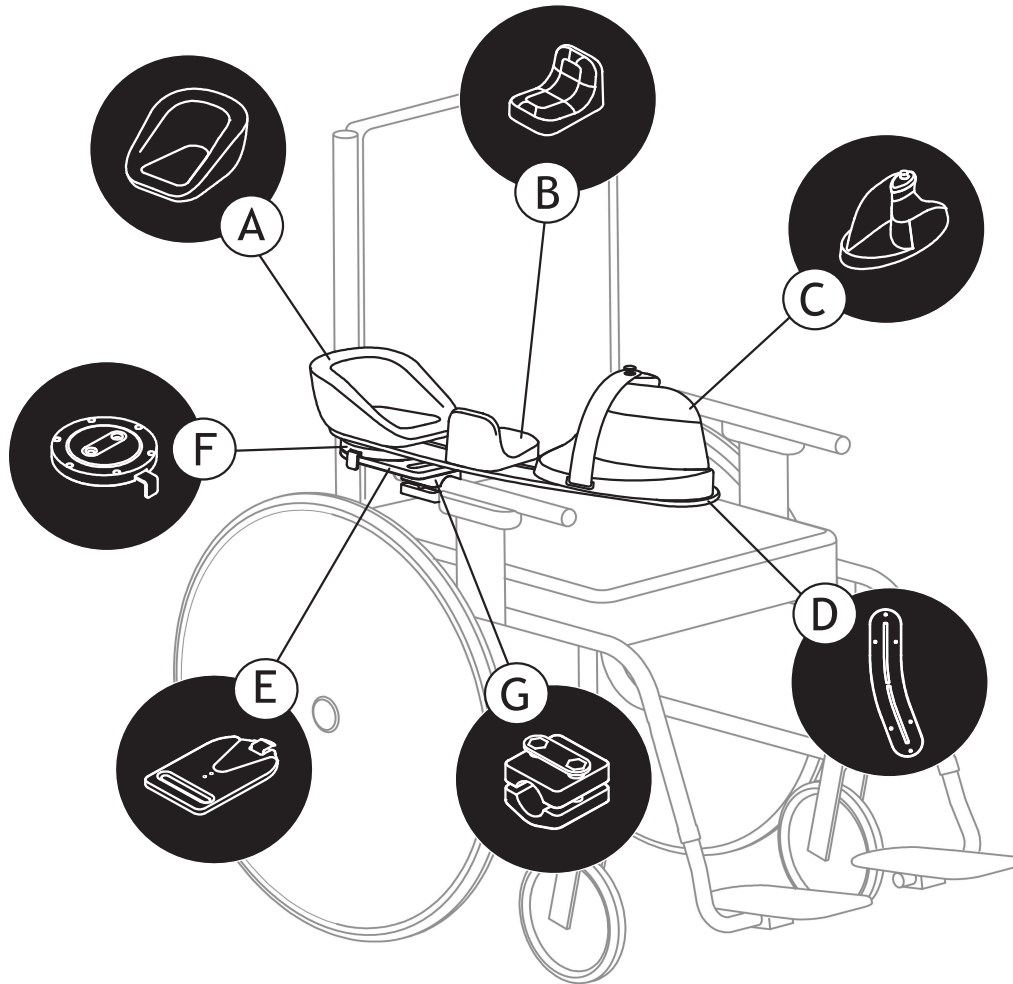
Clé Allen 3 mm

En option, pour le réglage précis du système de dégagement rapide



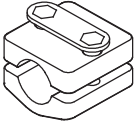
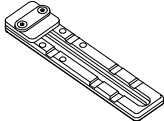
CONTENU DE L'EMBALLAGE

A	B	C	D	E	F
Coussinet pour coude	Coussinet pour avant-bras	Blocage de main et sangle	Plateau de base	Plaque d'adaptation à dégagement rapide	Plaque pivotante

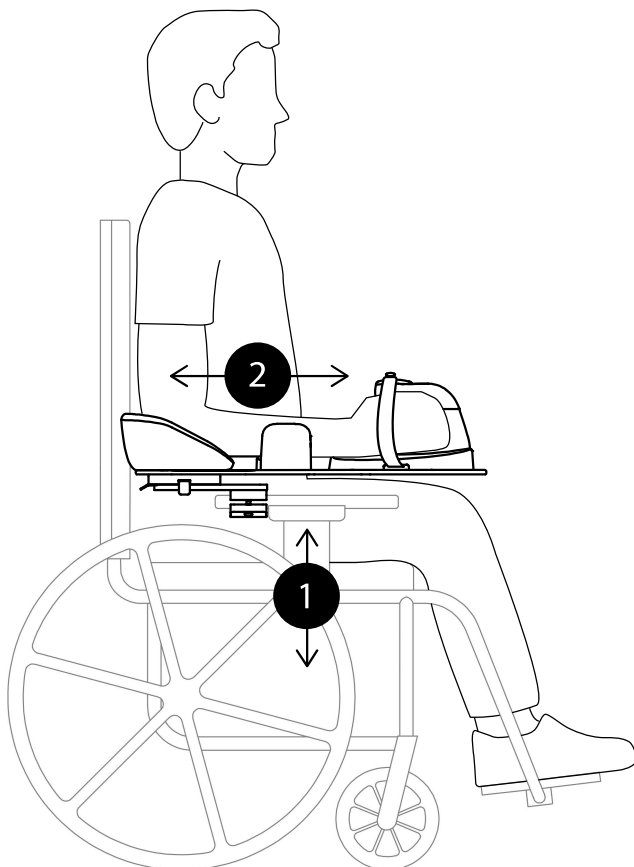


MATÉRIEL DE MONTAGE

PINCE OU PLAQUE EN OPTION VENDUE SÉPARÉMENT
 PINCE DE MONTAGE SUR L'ACCOUDOIR ILLUSTRÉE CI-DESSUS

G	H
<p>Pince de montage sur l'accoudeur</p> <p>Compatible avec des tubes d'accoudeur ronds de Ø19 mm [3/4"] ou Ø22/25 mm [7/8"/1"]</p>	<p>Plaque de montage sur l'accoudeur</p> <p>Compatible avec des accoudeurs plats</p>
	

POSITIONNEMENT DU SUPPORT DES MEMBRES SUPÉRIEURS POUR L'UTILISATEUR



1. Hauteur

L'utilisation d'un accoudoir réglable en hauteur est recommandée pour un positionnement optimal.

Réglez la hauteur de l'accoudoir afin de soutenir le coude pour une distribution égale de la afin de répartir uniformément la pression sur le bras sans soulever l'épaule

2. Profondeur

Pour régler le support pour bras vers l'avant ou vers l'arrière, desserrez les vis situées sur le matériel de montage de l'accoudoir.

Faites glisser le support pour bras vers l'avant ou l'arrière sur l'accoudoir jusqu'à atteindre la position correcte.

Pour plus d'informations, voir :
« RÉGLAGE PRÉCIS SUPPLÉMENTAIRE DE LA PLAQUE PIVOTANTE, RÉGLAGES SUPPLÉMENTAIRES DE PROFONDEUR. »

3. Latéral

Pour rapprocher ou éloigner le support de bras de l'utilisateur, desserrez les vis qui fixent la plaque d'adaptation à dégagement rapide au matériel de montage de l'accoudoir.

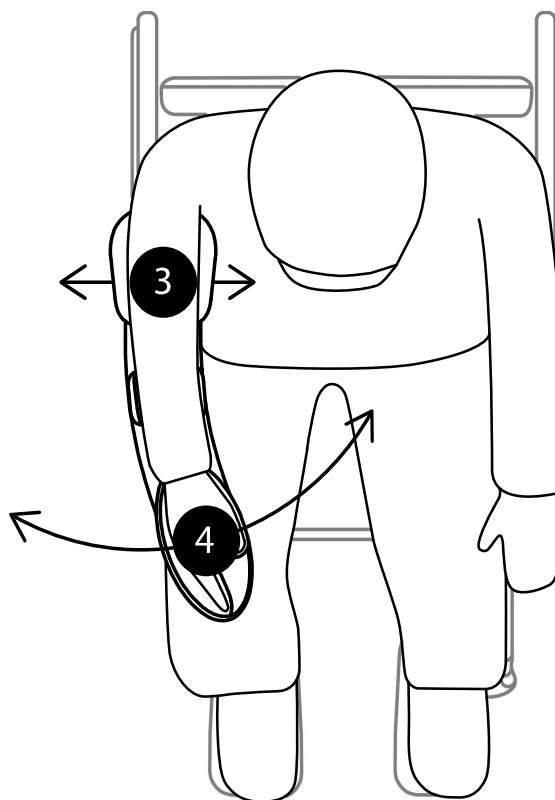
Faites pivoter le support pour bras vers l'intérieur ou l'extérieur et resserrez fermement les deux vis.

4. Angle

La plaque pivotante permet une amplitude de rotation interne et externe de 60°. Pour choisir l'angle du support pour bras, retirez la languette de la plaque pivotante et positionnez le support du bras.

Poussez la languette de la plaque pivotante pour la verrouiller à l'angle souhaité par incréments de 5°.

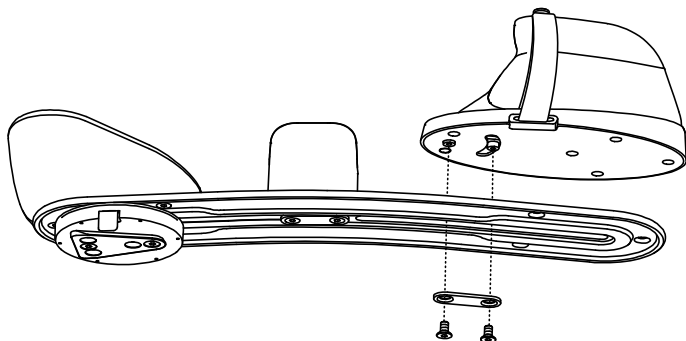
Pour plus d'informations, voir : « RÉGLAGE PRÉCIS SUPPLÉMENTAIRE DE LA PLAQUE PIVOTANTE, LIMITES SUPPLÉMENTAIRES DE ROTATION INTERNE ET EXTERNE. »



INSTALLATION DU SUPPORT POUR MEMBRES SUPÉRIEURS

Avant l'installation, retirer le récepteur à dégagement rapide du support les membres supérieurs. Pour plus d'informations, voir : « *UTILISATION DE LA PLAQUE D'ADAPTATION À DÉGAGEMENT RAPIDE.* »

1. Montez le récepteur à dégagement rapide sur l'accoudoir du fauteuil roulant en utilisant le matériel de montage de l'accoudoir en option. Serrez partiellement les vis de montage pour permettre le réglage. Voir les instructions incluses avec le matériel de montage optionnel pour plus de détails.

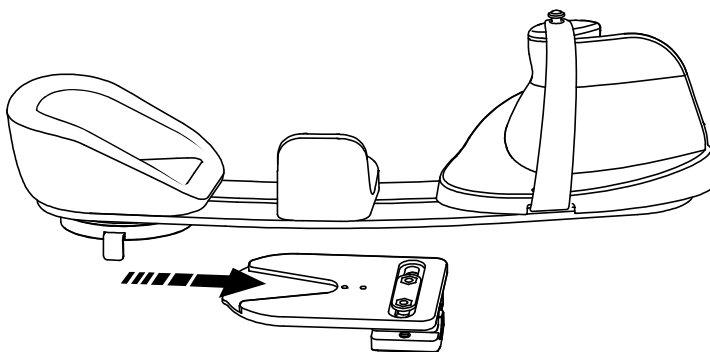


2. Montez le bloc de main sur le plateau de base en utilisant la garniture de protection et les vis M6 fournies (2).

Note : Ne serrez pas les vis à fond tant que les réglages finaux n'ont pas été effectués pour l'ajustement à l'utilisateur.

3. Faites glisser le support pour bras dans la plaque d'adaptation à dégagement rapide : le système de dégagement rapide doit se verrouiller avec un « clic » audible.

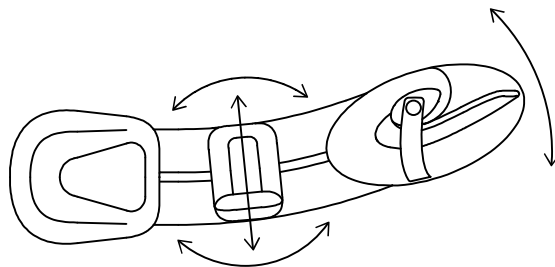
Note : Le système de dégagement rapide peut être réglé pour éliminer tout jeu en desserrant les vis M5 (2) à la base à l'aide d'une clé Alle de 3 mm. Poussez le système de dégagement rapide fermement contre le bord arrière de la cale à dégagement rapide tout en resserrant les vis pour le fixer en place.



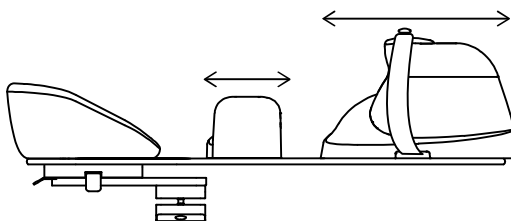
RÉGLAGE DU COUSSINET POUR AVANT-BRAS ET DU BLOCAGE DE MAIN

Commencez par positionner le coude de l'utilisateur sur le coussinet pour avant-bras.

Pour ajuster le bloc de main, desserrez les vis M6 (2) et faites glisser le bloc de main le long du plateau de base pour éviter de faire glisser l'avant-bras de l'utilisateur. Serrez la vis arrière jusqu'à ce qu'elle soit bien serrée, puis réglez l'angle du bloc de main entre 0 et 30° afin de positionner correctement la main et le poignet. Serrez complètement les deux vis pour fixer le bloc de main en place.



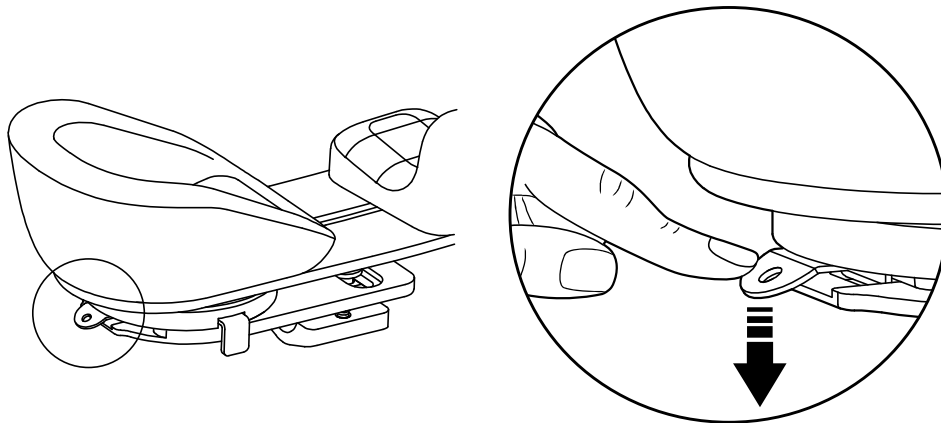
Pour ajuster le coussinet pour avant-bras, desserrez les vis M6 (2) et faites glisser le coussinet pour avant-bras le long du plateau de base pour placer le bras de l'utilisateur derrière le poignet. Il peut être ajusté vers l'intérieur ou l'extérieur, pivoté ou réinstallé dans le sens opposé pour soutenir ou limiter le mouvement du bras. Resserrez les vis.



UTILISATION DE LA PLAQUE D'ADAPTATION À DÉGAGEMENT RAPIDE

Appuyez sur le système de dégagement rapide pour le déverrouiller en vue de le retirer.

Pour le réinstaller, faites glisser le support pour bras dans le récepteur à dégagement rapide jusqu'à ce qu'il s'engage avec un « clic » audible.

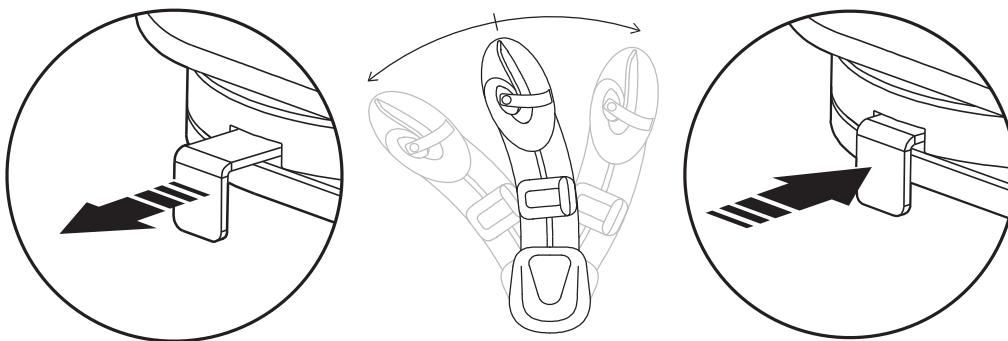


VERROUILLER/DÉVERROUILLER LA PLAQUE PIVOTANTE

Le support pour les membres supérieurs peut être déverrouillé pour permettre un mouvement dynamique ou verrouillé pour maintenir le bras en position fixe.

Pour le déverrouiller, tirez la languette de la plaque pivotante. Le support pour bras peut maintenant pivoter librement selon une amplitude interne et externe de 60°.

Pour le verrouiller, poussez la languette de la plaque pivotante vers l'intérieur. Le support pour bras peut être verrouillé par incréments de 5°.



DÉVERROUILLER

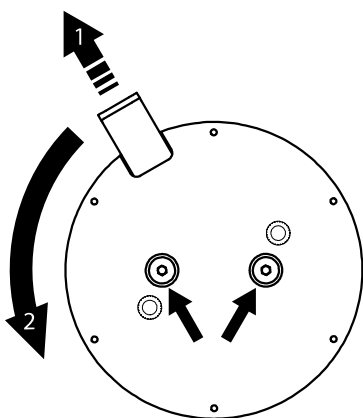
PIVOTER

VERROUILLER

⚠ ATTENTION ! Surveillez toujours l'utilisateur lorsque la plaque pivotante est déverrouillée pour pivoter. La plaque pivotante devrait toujours être verrouillée lors de la conduite du fauteuil roulant ou de son transport dans un véhicule afin d'éviter tout dommage ou blessure qui pourrait résulter d'un choc contre une porte ou tout autre obstacle situé à proximité du fauteuil.

RÉGLAGE PRÉCIS SUPPLÉMENTAIRE DE LA PLAQUE PIVOTANTE

RÉGLAGES DE PROFONDEUR SUPPLÉMENTAIRES



Des réglages supplémentaires peuvent être effectués en repositionnant la plaque pivotante jusqu'à 20 mm vers l'avant sur le plateau de base.

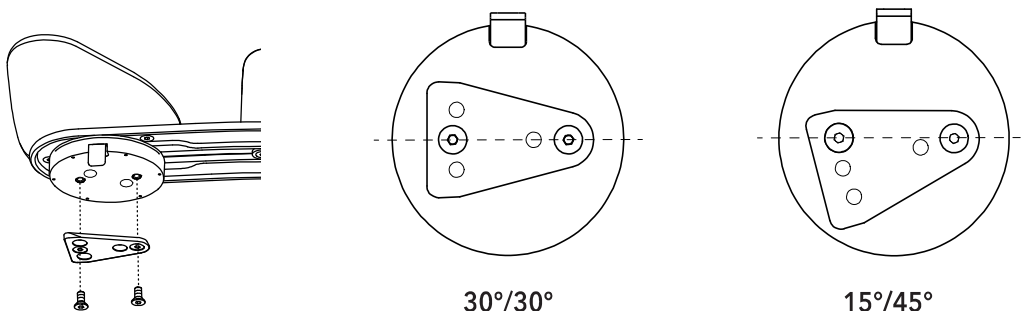
Pour accéder aux vis de montage, enlevez la cale à dégagement rapide et retirez la languette de la plaque pivotante pour la déverrouiller et la faire pivoter jusqu'à ce que les vis de montage M6 soient visibles à travers les deux trous d'accès.

Desserrez les deux vis pour faire glisser la plaque pivotante, puis resserrez complètement les deux vis et refixez la cale à dégagement rapide.

LIMITES SUPPLÉMENTAIRES DE ROTATION INTERNE ET EXTERNE

Le réglage standard de la plaque pivotante permet une rotation de 30° vers l'intérieur/30° vers l'extérieur à partir de la position neutre (l'alignement de l'accoudoir du fauteuil). Le fonctionnement est identique, que l'installation soit réalisée à droite ou à gauche.

Certains utilisateurs sont capables d'une plus grande amplitude de rotation interne du bras, ce qui peut se faire en repositionnant la cale à libération rapide située à la base de la plaque pivotante pour permettre une rotation interne de 45° et externe de 15°.



CONTRÔLES DE SÉCURITÉ ET DE PERFORMANCE

L'utilisateur doit être assis dans le fauteuil roulant avant la réalisation de tout contrôle de sécurité.

1. FONCTIONNEMENT NORMAL

Vérifiez qu'il n'y a pas de points de pincement ou de pièces desserrées.

2. CONFORT

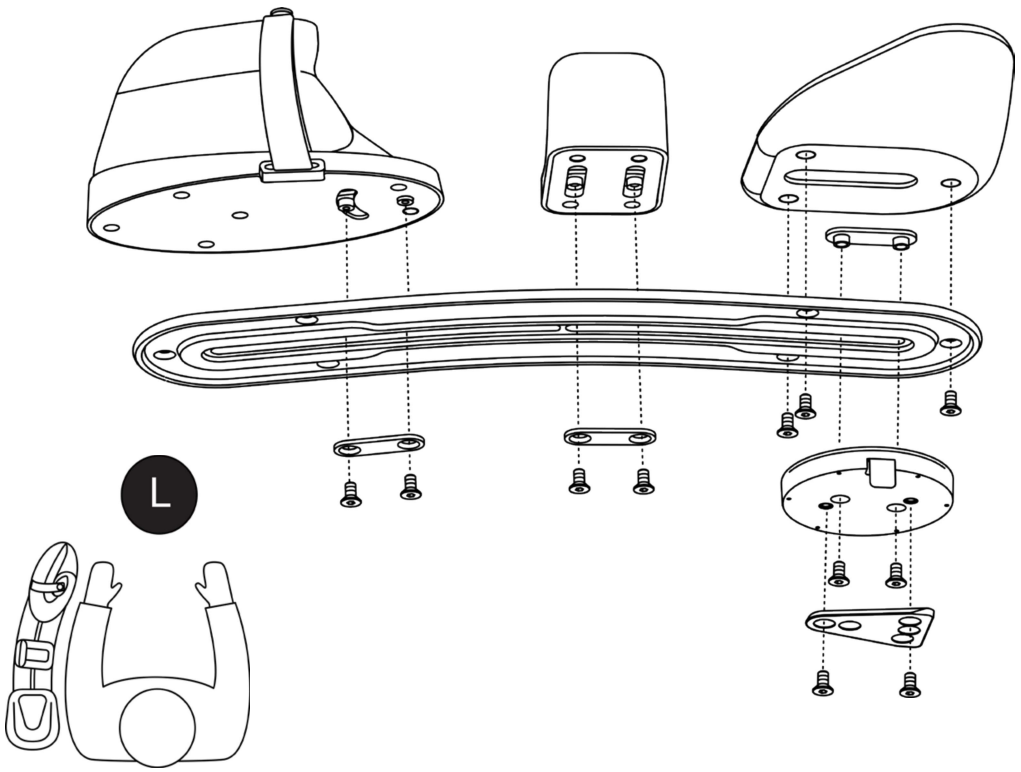
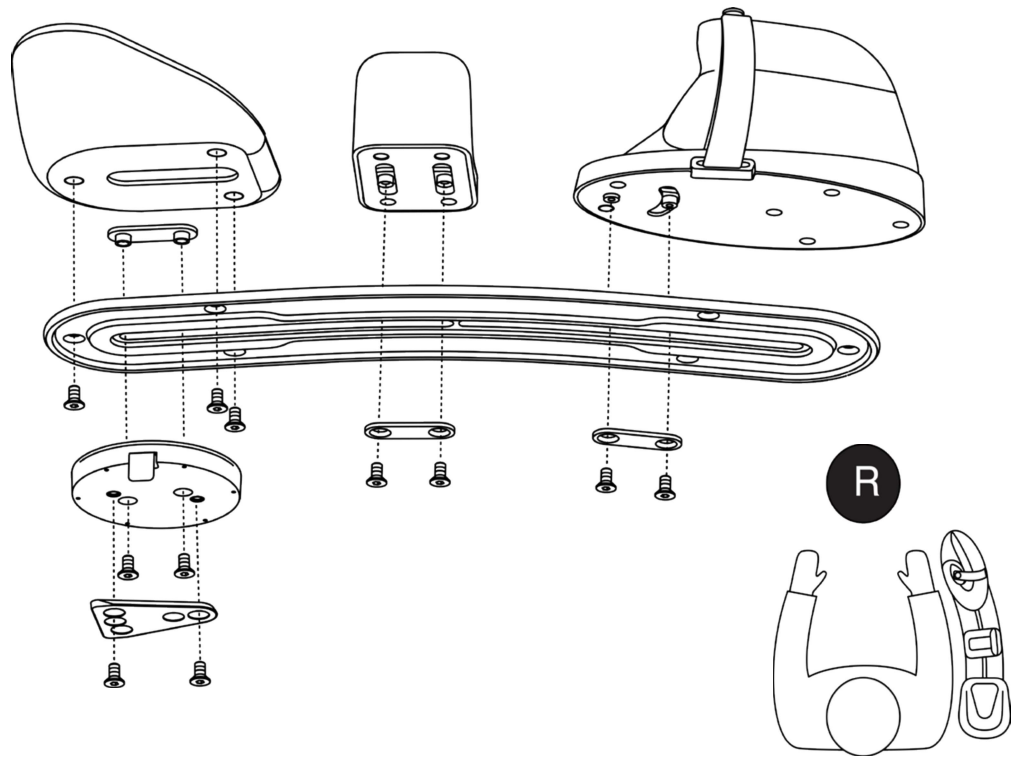
Vérifiez qu'il n'y a pas de zones d'irritation.

3. POSITION

Confirmez la position correcte du haut du corps et des épaules de l'utilisateur.

4. AUTRE

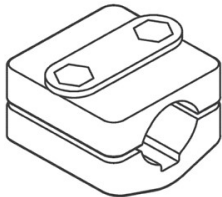
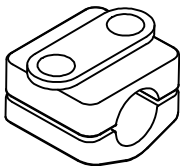
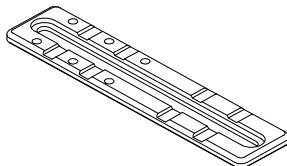
Déplacez le fauteuil sur toute l'amplitude du mouvement, y compris en inclinant, pliant et roulant, et vérifiez qu'il n'y a pas d'interférence. Réglez le support pour bras si nécessaire.



Support dynamique pour les membres supérieurs

INSTRUCTIONS: MATÉRIEL DE MONTAGE

ART NOS.: AS118, AS119, AS120

		
AS118	AS119	AS120
Pinça de montagem sur l'accoudoir	Pinça de montagem sur l'accoudoir	Plaque de montage sur l'accoudoir
Compatible avec des tubes d'accoudoir ronds de Ø22/25 mm [7/8"/1"]	Compatible avec des tubes d'accoudoir ronds de Ø19 mm [3/4"]	Compatible avec des accoudoirs plats

⚠ ATTENTION Ce produit doit être installé et ajusté par un technicien en réadaptation qualifié

⚠ ATTENTION Lors du montage, vérifiez que le support pour les membres supérieurs est fermement verrouillé dans la plaque d'adaptation à dégagement rapide. L'installateur devrait entendre un « clic » audible.

⚠ ATTENTION Si un incident grave lié à l'utilisation de ce produit se produit, il doit être signalé au

CONTRÔLES PÉRIODIQUES DE SÉCURITÉ ET DE PERFORMANCE

Afin de garantir la sécurité de l'utilisateur, ce produit doit faire l'objet de contrôles périodiques pour vérifier son fonctionnement et les signes d'usure. Si le produit ne fonctionne pas correctement ou si une usure importante des pièces est constatée, cessez de l'utiliser et contactez votre fournisseur pour une réparation qualifiée ou un remplacement par Bodypoint®. Ce produit ne doit en aucun cas être modifié ou réparé par des personnes non qualifiées.

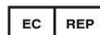
GARANTIE

Ce produit bénéficie d'une garantie à vie contre les défauts de fabrication et de matériaux survenant dans le cadre d'une utilisation normale par le consommateur d'origine. Contactez votre fournisseur ou Bodypoint® réclamation au titre de la garantie. Pour plus d'informations sur les produits Bodypoint® et les distributeurs en dehors des États-Unis, visitez www.bodypoint.com.



BP Bodypoint®

558 1st Avenue South
Suite 300
Seattle, WA 98104, USA



Bodypoint Europe BV
Kerkstraat 29
7396 PG Terwolde, NL



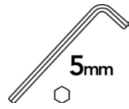
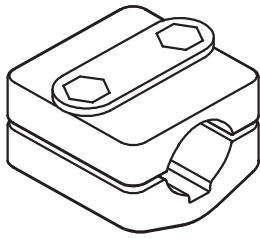
206.405.4555
800.547.5715



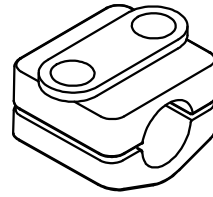
www.bodypoint.com



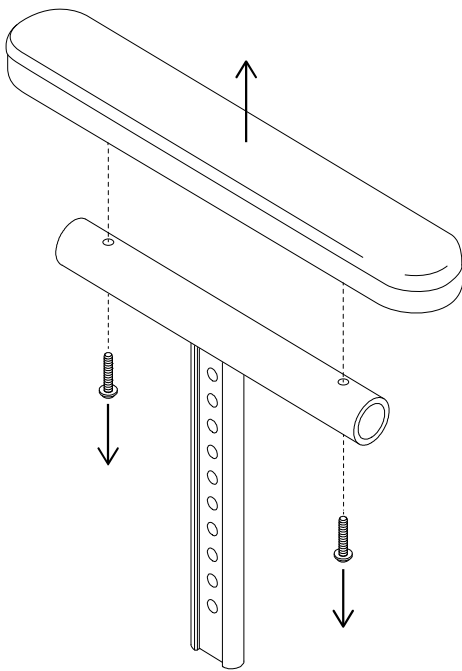
AS118



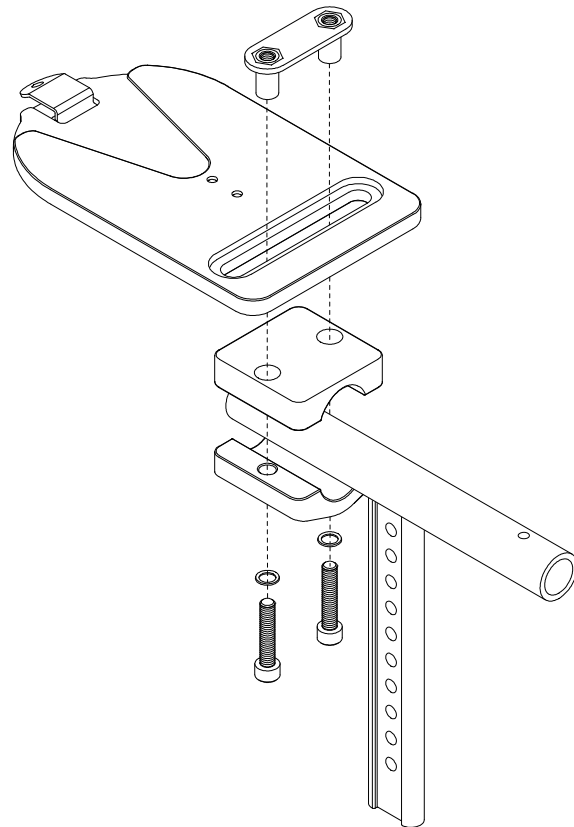
AS119



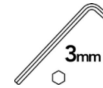
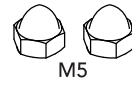
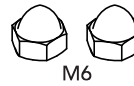
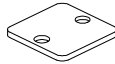
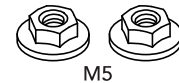
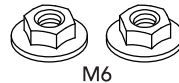
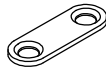
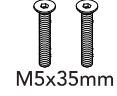
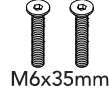
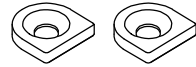
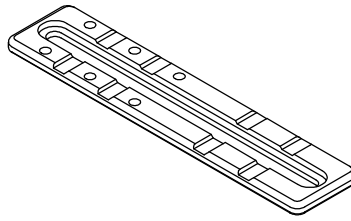
1



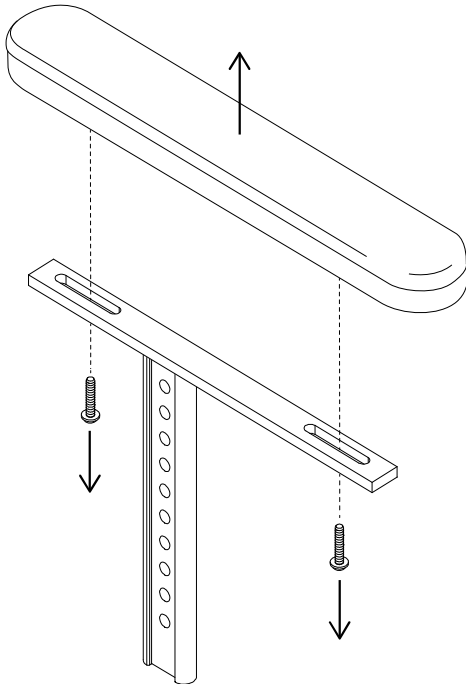
2



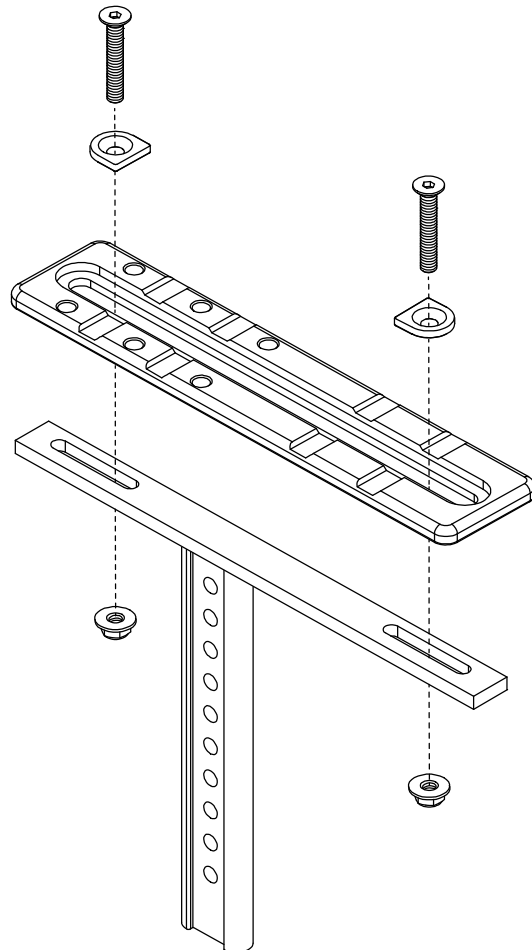
AS120



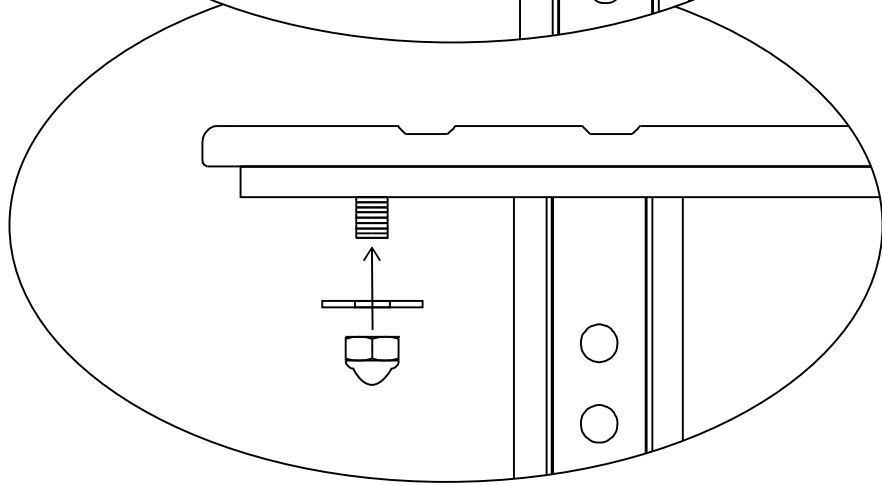
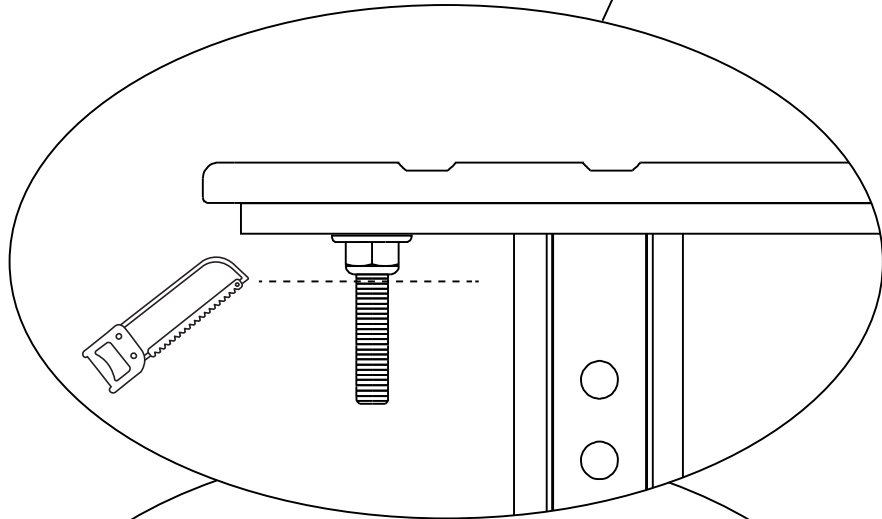
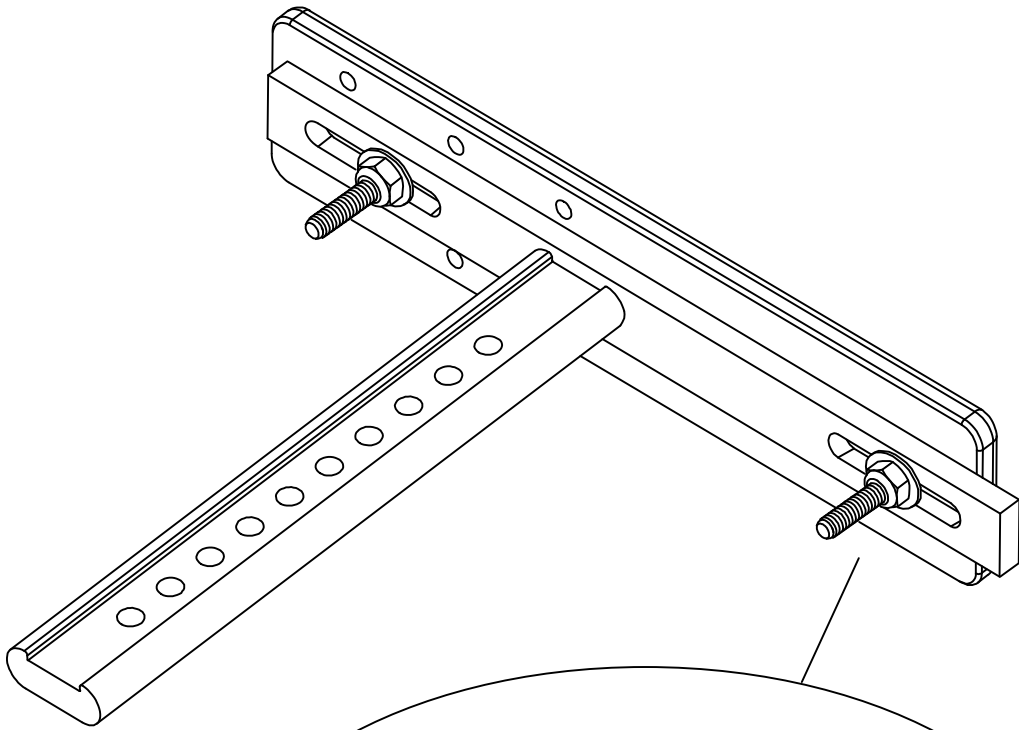
1



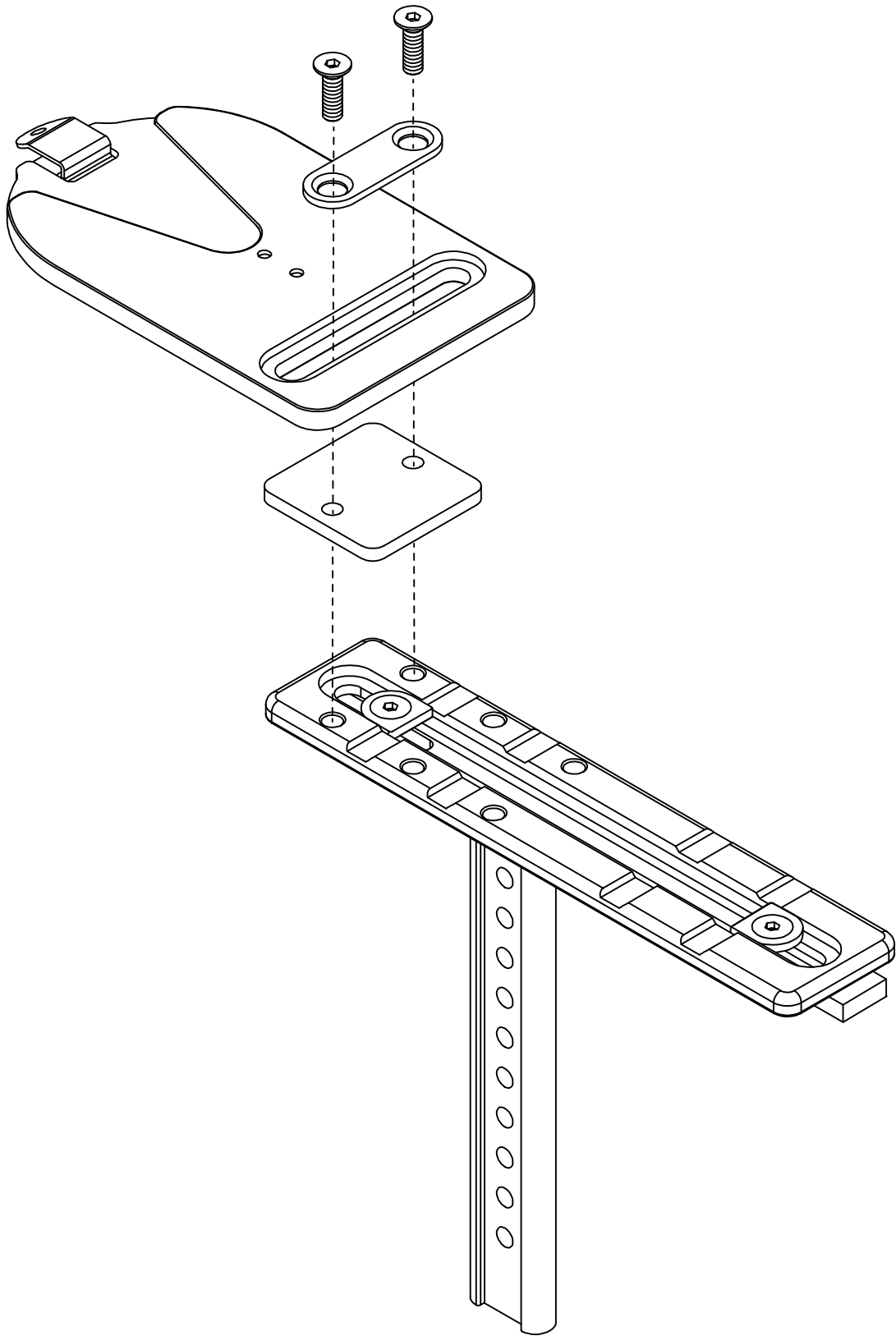
2

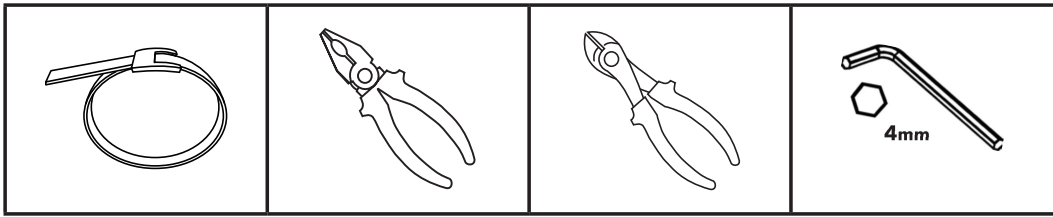


3

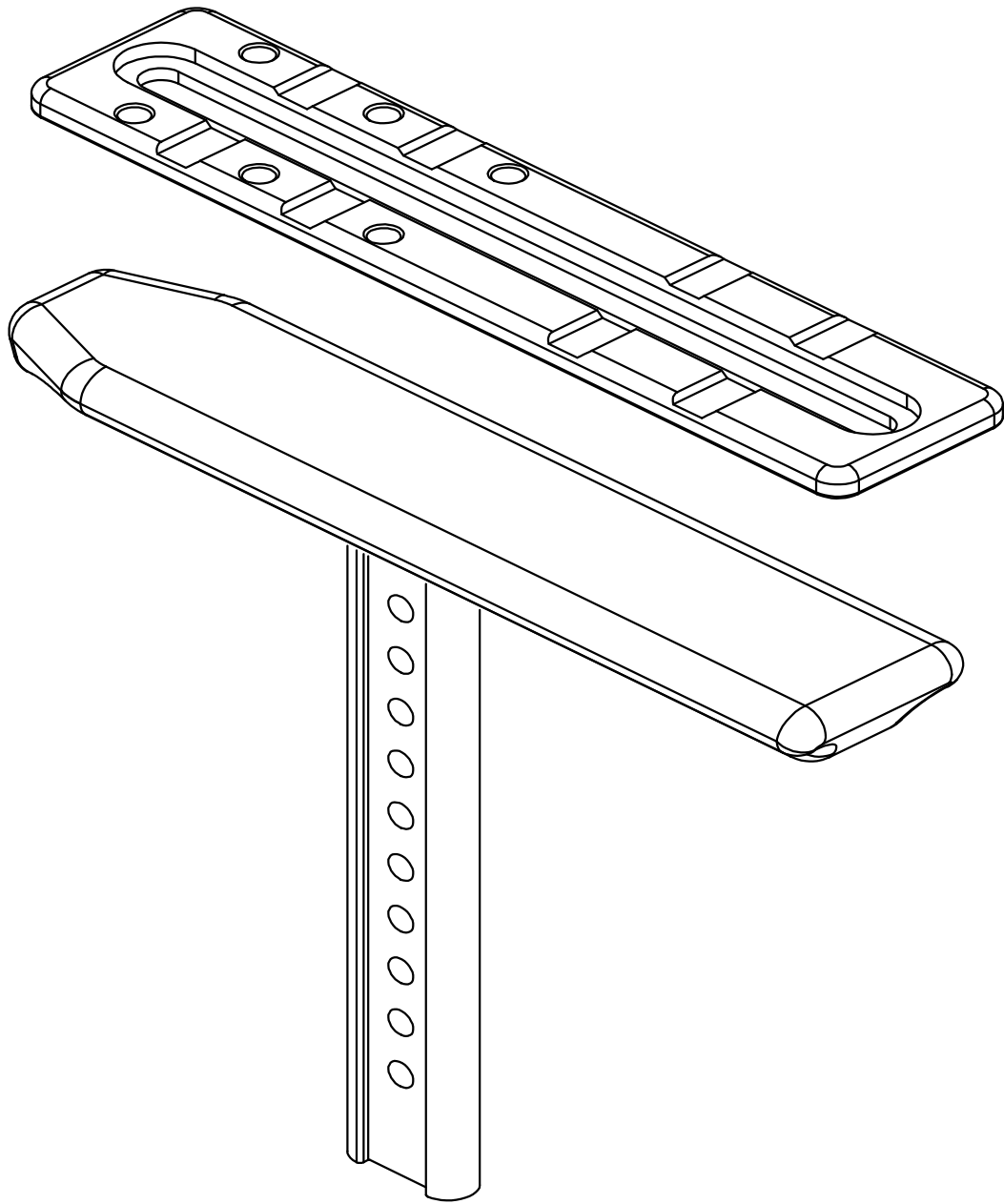


4

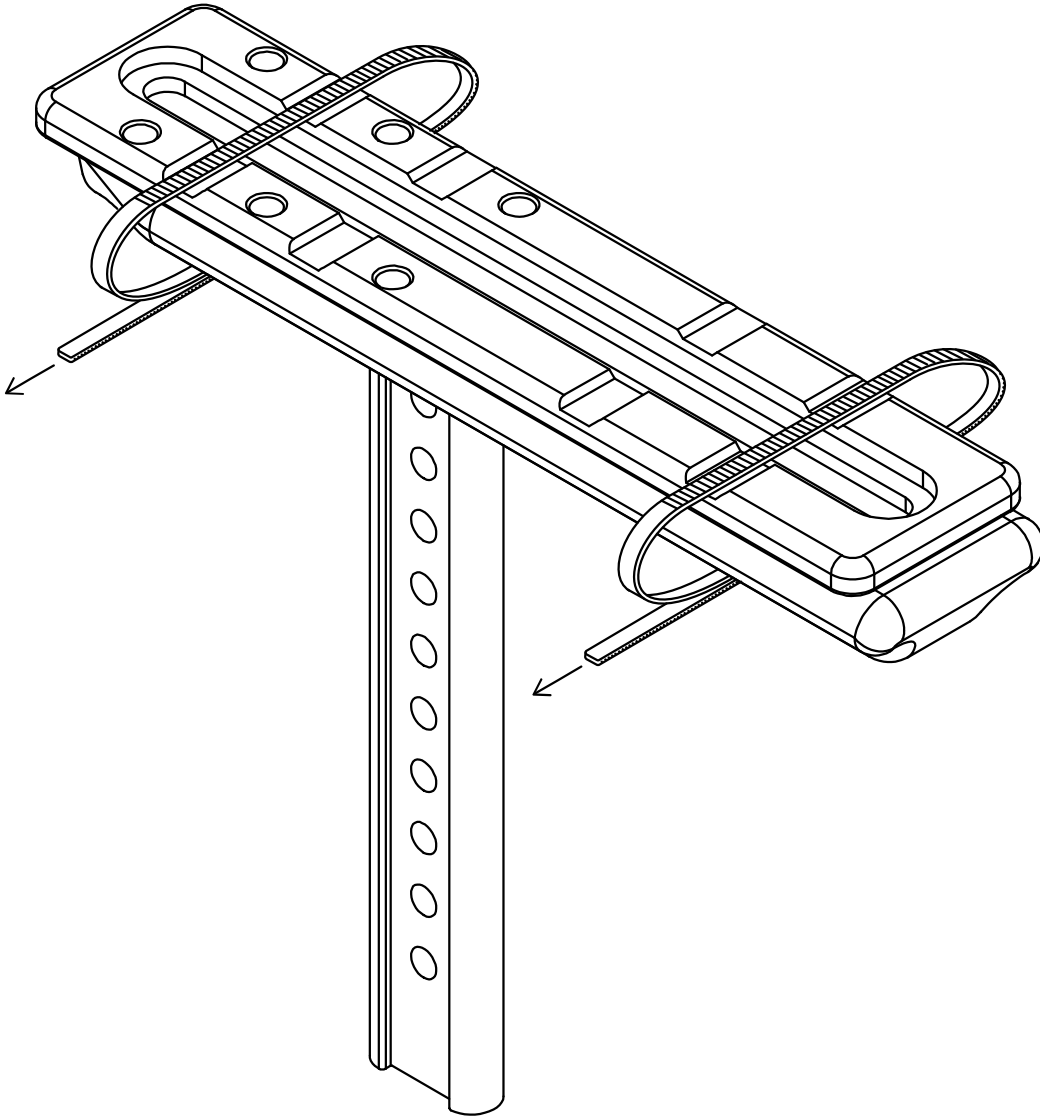




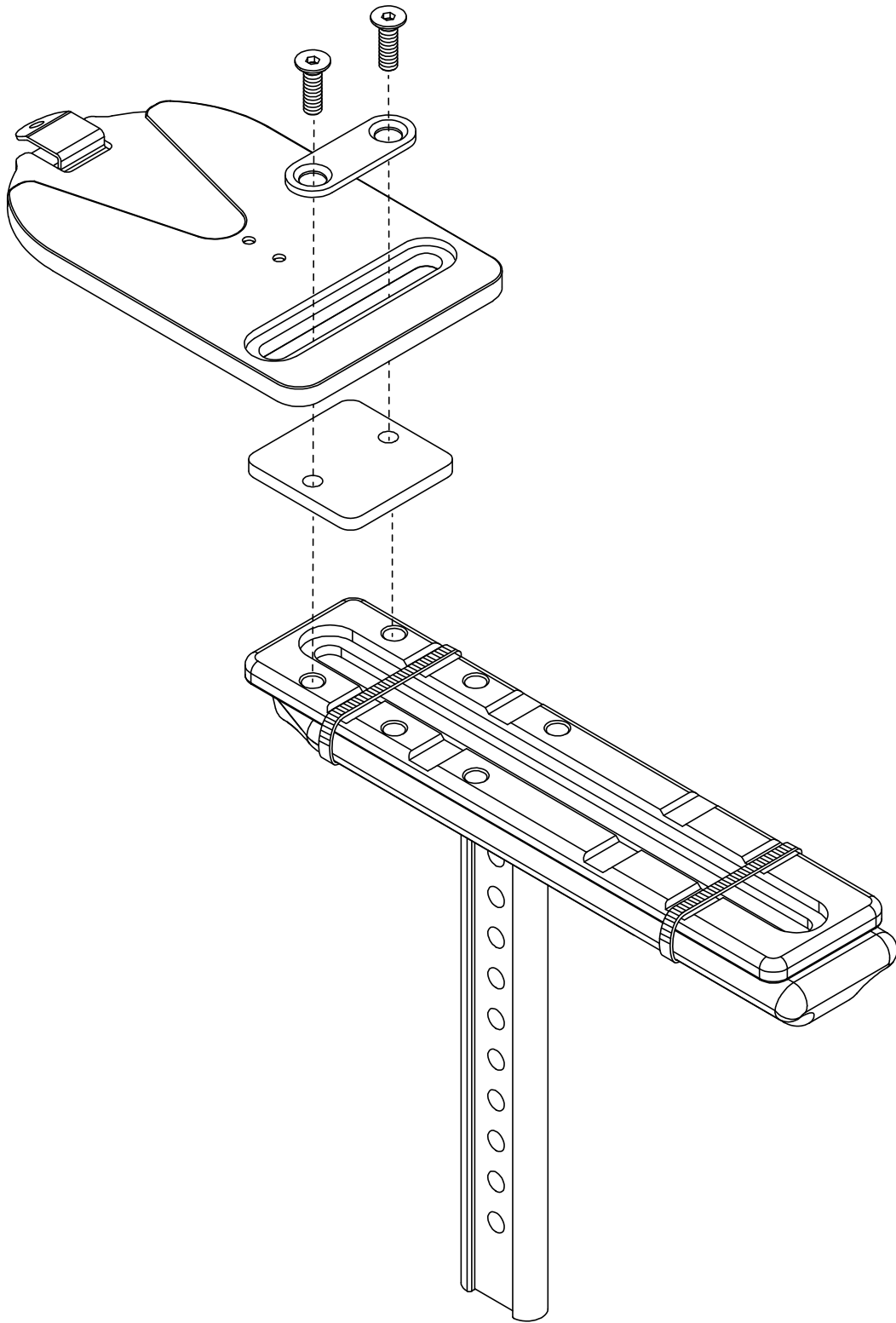
1



2



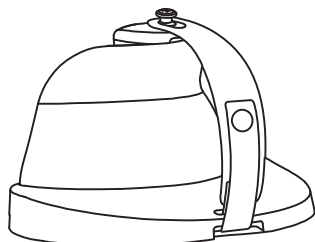
3



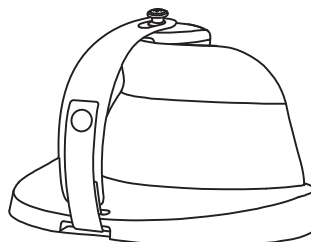
Dynamische Armstütze

PACKUNGSIHALT

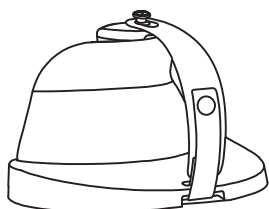
ART NOS.: AS001



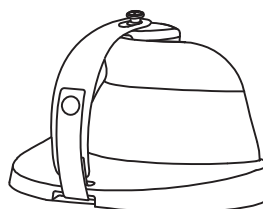
AS116L



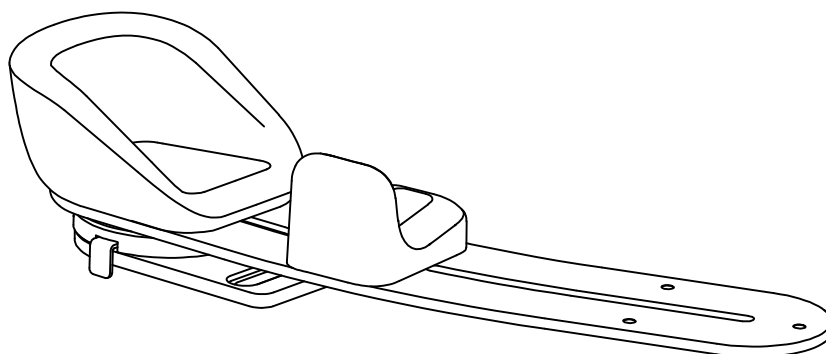
AS116R



AS115L



AS115R



AS200R



BP Bodypoint®

558 1st Avenue South
Suite 300
Seattle, WA 98104, USA

EC REP

Bodypoint Europe BV
Kerkstraat 29
7396 PG Terwolde, NL

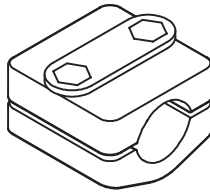


206.405.4555
800.547.5715



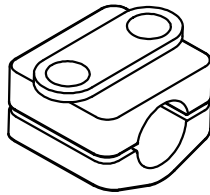
www.bodypoint.com





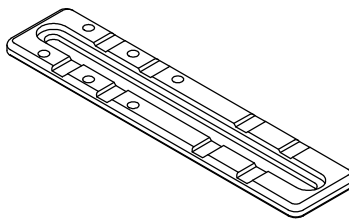
AS118



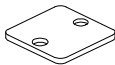
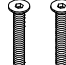
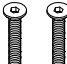
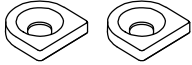






Ø22/25mm [7/8"/1"]



AS119

Ø19mm [3/4"]



 M6x20mm			 M5x35mm
 M6x35mm			 M5
 M6	 M5	 M6	 X4

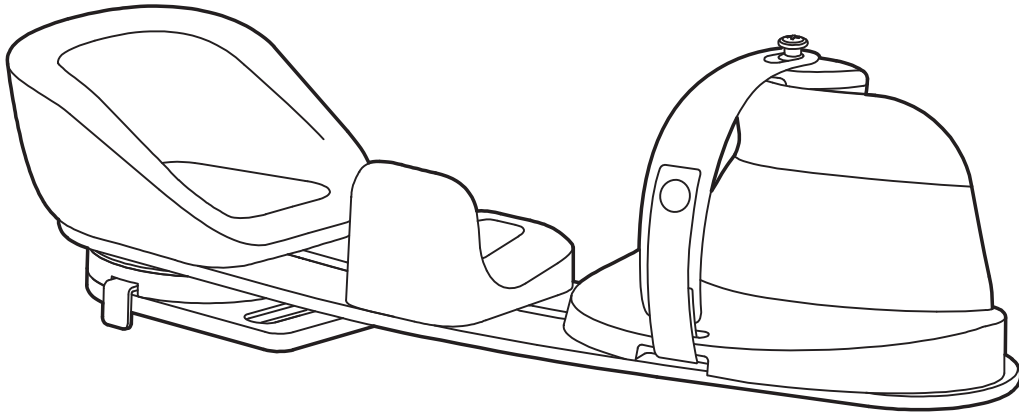
AS120

Dynamische Armstütze

ART.-NR.: AS201L, AS201R, AS202L, AS202R, AS200L, AS200R

INSTALLATIONS- UND BENUTZERHINWEISE

Diese Anweisungen enthalten wichtige Informationen für die sichere Verwendung und Wartung von Bodypoint® Armstützen. Geben Sie diese Anweisungen dem Benutzer oder seiner Pflegekraft und überprüfen Sie diese, um sicherzustellen, dass sie verstanden wurden.



ANWENDUNG:

Die Dynamische Armstütze ist eine dynamische, mobile Stütze für Ellbogen, Unterarm und Hand, die an einem manuellen oder elektrischen Rollstuhl befestigt werden kann. Sie bietet Unterstützung für die oberen Extremitäten, einen funktionellen dynamischen Bewegungsbereich an der Schulter und eine innovative, flexible Handunterstützung, welche die Handfunktion fördert und dabei hilft, Beugeonus und Kontrakturen zu minimieren.

Dieses Produkt enthält modulare Komponenten, die für eine individuelle orthopädische Passform angepasst werden können. Ein Schwenkmechanismus ermöglicht es dem Benutzer, die Schulter in einem funktionellen, dynamischen Bewegungsbereich zu trainieren. Die flexible Handstütze hilft, das Handgelenk, die Hand und die Finger in neutraler Ausrichtung zu positionieren und Beugeonus und Kontrakturen zu minimieren.

Dieses Produkt ist für die Montage an einer Vielzahl von Rollstuhlmodellen mit höhenverstellbaren Armlehnen konzipiert und kann für Transfers mithilfe der Schnelllösefunktion leicht entfernt werden. Um das beste klinische Ergebnis zu gewährleisten, sollten Benutzer vor der Verwendung des Produkts einem qualifizierten medizinischen Fachmann konsultieren.



Bodypoint®

558 1st Avenue South
Suite 300
Seattle, WA 98104, USA

EC REP

Bodypoint Europe BV
Kerkstraat 29
7396 PG Terwolde, NL



206.405.4555
800.547.5715



www.bodypoint.com



⚠️ ACHTUNG Dieses Produkt sollte von einem qualifizierten Reha-Techniker installiert und angepasst werden.

⚠️ ACHTUNG Dieses Produkt sollte nur zum Positionieren der Arme einer Person in einem Rollstuhl verwendet werden. Die missbräuchliche Verwendung dieses Produkts ist unzulässig und unsicher.

⚠️ ACHTUNG Der Arm des Benutzers muss richtig in der Armstütze positioniert sein. Eine schlecht eingestellte Armstütze kann dazu führen, dass der Arm des Benutzers herausrutscht und die Schulter ausrenkt oder der Tonus der Handbeuge verschlechtert wird. Lassen Sie sich von Ihrem Therapeuten oder Techniker die richtige Einstellung und Verwendung zeigen.

⚠️ ACHTUNG Wenn die körperlichen oder kognitiven Fähigkeiten des Benutzers ihn daran hindern, dieses Produkt sicher zu bedienen, muss während der Verwendung immer eine Pflegekraft anwesend sein. Stellen Sie sicher, dass alle Betreuungspersonen wissen, wie das Produkt richtig bedient wird.

⚠️ ACHTUNG Dieses Produkt kann die Art und Weise, wie eine Person sitzt, verändern. Üben Sie weiterhin regelmäßig Aktivitäten zur Druckentlastung und Prüfungen der Hautintegrität. Wenn eine verstärkte Hautrötung oder -reizung auftritt, stellen Sie

bitte die Anwendung ein und konsultieren Sie Ihren qualifizierten Arzt.

⚠️ ACHTUNG Beobachten Sie den Benutzer immer, wenn die Drehplatte zum Drehen entsperrt ist. Die Drehplatte sollte immer verriegelt sein, wenn der Rollstuhl gefahren oder in einem Fahrzeug transportiert wird, um Schäden oder Verletzungen zu vermeiden, die durch das Anstoßen an Türöffnungen oder andere Hindernisse in der Nähe des Rollstuhls entstehen können.

⚠️ ACHTUNG Überprüfen Sie bei der Montage, ob die Armstütze sicher in der Schnellwechsel-Adapterplatte eingerastet ist. Der Installateur sollte ein hörbares „Klick“-Geräusch hören.

⚠️ ACHTUNG Wenn im Zusammenhang mit der Verwendung dieses Produkts ein schwerwiegender Vorfall auftritt, sollte dies dem Hersteller (Bodypoint, Inc.) und der zuständigen örtlichen Behörde gemeldet werden.

⚠️ ACHTUNG Die sicherste Art der Personenbeförderung ist das Aussteigen aus dem Rollstuhl und die Verwendung der im Fahrzeug eingebauten Sitze samt crash-getestetem Insassenrückhaltesystem. Die Nichtverwendung des Insassenrückhaltesystems in einem Fahrzeug kann zu schweren oder tödlichen Verletzungen führen.

REGELMÄSSIGE SICHERHEITS- UND LEISTUNGSÜBERPRÜFUNGEN:

Um die Benutzersicherheit zu gewährleisten, muss dieses Produkt regelmäßig auf Funktion und Verschleißerscheinungen überprüft werden. Wenn das Produkt nicht richtig funktioniert oder erhebliche Abnutzungserscheinungen an den Teilen festgestellt werden, stellen Sie bitte die Verwendung ein und wenden Sie sich an Ihren Händler, um eine qualifizierte Reparatur oder einen Ersatz durch Bodypoint® zu erhalten. Unter keinen Umständen darf dieses Produkt von unqualifizierten Personen verändert oder repariert werden.

REINIGUNG:

Dieses Produkt kann durch Abwischen mit Desinfektionsmittel oder einem in warmem Wasser und Seife getränkten Tuch gereinigt werden. Mit einem Handtuch trocknen oder an der Luft trocknen. Auf die Oberfläche kann ein mildes Desinfektionsmittel aufgetragen werden. Zum Reinigen der Handschlaufe Maschinenwäsche, heiß, 60 °C (140 °F) verwenden. Nicht Bleichen. Im Trockner bei niedriger Temperatur trocknen oder abtropfen lassen. Nicht Bügeln.

VERSCHROTTUNG/ENTSORGUNG:

Dieses Produkt besteht aus Materialien, die am Ende ihrer Nutzungsdauer ohne besondere Vorsichtsmaßnahmen sicher entsorgt werden können.

GARANTIE:

Für dieses Produkt gilt eine eingeschränkte lebenslange Garantie gegen Verarbeitungs- und Materialfehler, die bei normaler Verwendung durch den Erstverbraucher entstehen. Bitte wenden Sie sich für Garantieansprüche an Ihren Lieferanten oder an Bodypoint®. Weitere Informationen zu Bodypoint®-Produkten und Informationen zu Händlern außerhalb der USA finden Sie unter www.bodypoint.com.

BENÖTIGTE WERKZEUGE

4 mm Sechskantschlüssel

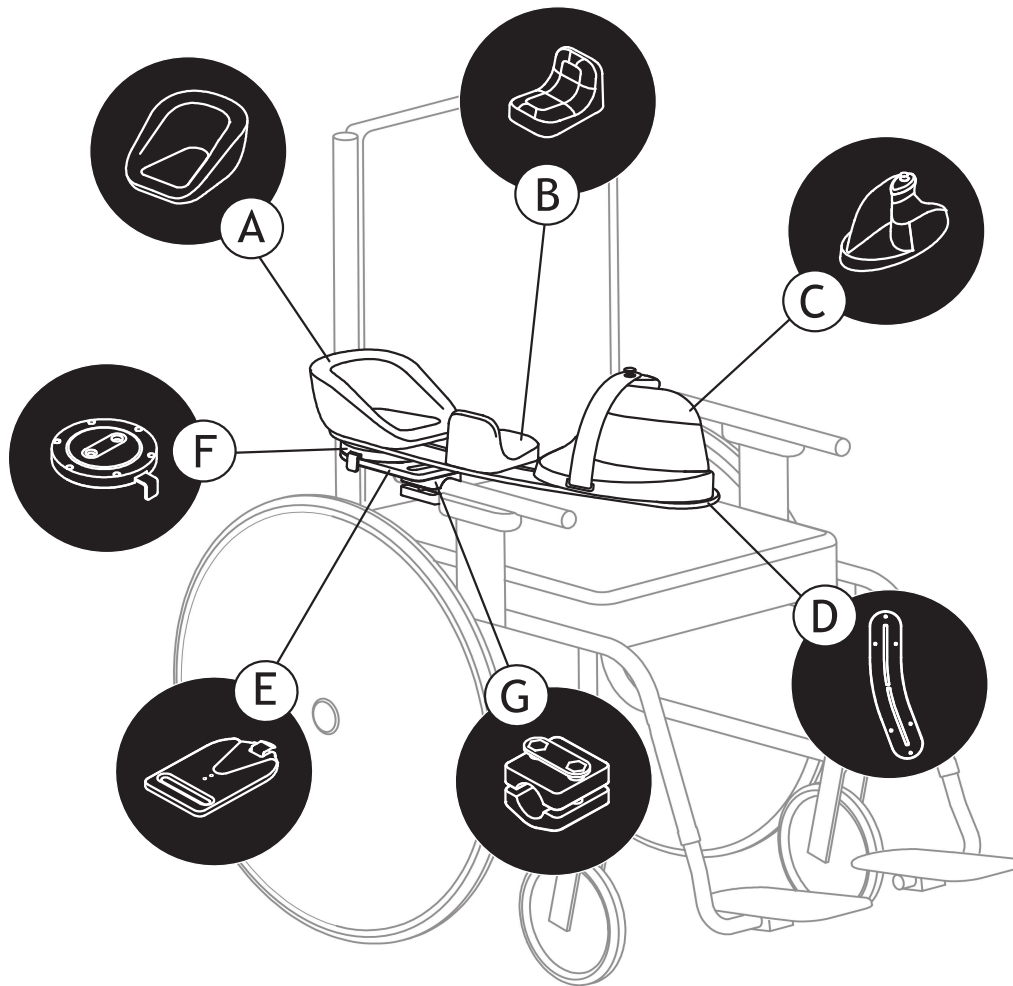
3 mm Sechskantschlüssel

Zur optionalen Feineinstellung
des Schnellverschlusses



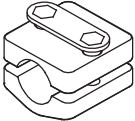
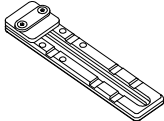
PACKUNGSGEHÄLT

A	B	C	D	E	F
Ellenbogen- schützer	Unterarm- schützer	Handblock und Riemen	Grundplatte	Schnell- wechsel- Adapter- platte	Drehplatte

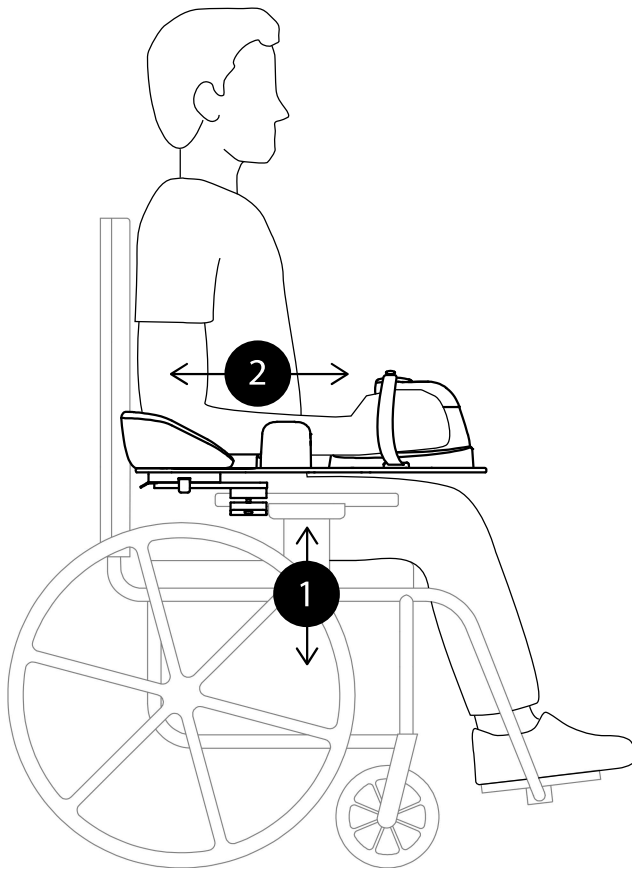


MONTAGE-HARDWARE

OPTIONALE KLEMME ODER PLATTE SEPARAT ERHÄLTLICH
ARMLEHNEN-MONTAGEKLEMME OBEN ABGEBILDET

G	H
Armlehnen- Befestigungsklammern Kompatibel mit Ø 19 mm [3/4"] oder Ø 22/25 mm [7/8"/1"] rundem Armlehnenrohr	Armlehnen- Befestigungsplatte Mit flachen Armlehnen kompatibel
	

POSITIONIERUNG DER ARMSTÜTZE FÜR DEN BENUTZER



1. Höhe

Für eine optimale Positionierung wird die Verwendung einer höhenverstellbaren Armlehne empfohlen.

Stellen Sie die Höhe der Armlehne so ein, dass der Ellenbogen gestützt wird, um eine gleichmäßige Druckverteilung auf den Arm zu erreichen, ohne die Schulter anzuheben.

2. Tiefe

Um die Armstütze nach vorne oder hinten zu verstellen, lösen Sie die Schrauben an den Befestigungsteilen der Armlehne.

Schieben Sie die Armstütze auf der Armlehne nach vorne oder hinten in die richtige Position.

Für weitere Informationen siehe: „ZUSÄTZLICHE FEINABSTIMMUNG DER DREHPLATTE, ZUSÄTZLICHE TIEFEN-EINSTELLUNGEN.“

3. Seitlich

Um die Armstütze näher oder weiter weg vom Benutzer einzustellen, lösen Sie die Schrauben, mit denen die Schnellverschluss-Adapterplatte an den Befestigungsteilen der Armlehne befestigt ist.

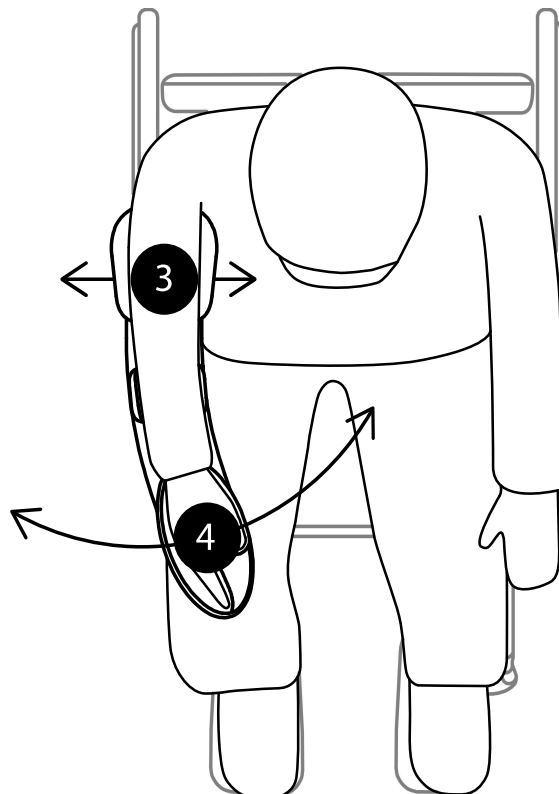
Schieben Sie die Armstütze nach innen oder außen und ziehen Sie beide Schrauben wieder fest an.

4. Winkel

Die Drehplatte ermöglicht eine von Innen- nach Außenrotation im Rahmen von 60°. Um den Winkel der Armstütze zu wählen, ziehen Sie die Drehplattenlasche heraus und positionieren Sie die Armstütze.

Drücken Sie die Drehplattenlasche hinein, um sie im gewünschten Winkel in 5°-Schritten zu verriegeln.

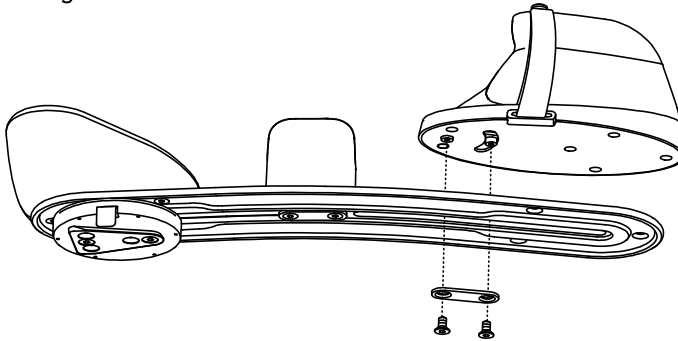
Für weitere Informationen siehe: „ZUSÄTZLICHE FEINABSTIMMUNG DER DREHPLATTE, ZUSÄTZLICHE INNEN- UND AUSSEN-DREHBEGRENZUNGEN.“



MONTAGE DER ARMLEHNE

Entfernen Sie vor der Installation den Schnellwechsel-Empfänger von der Armstütze. Für weitere Informationen siehe: „VERWENDUNG DER SCHNELLWECHSEL-ADAPTERPLATTE.“

1. Montieren Sie den Schnellwechsel-Empfänger mit optionalen Armlehnen-Befestigungsteilen an der Armlehne des Rollstuhls. Ziehen Sie die Befestigungsschrauben etwas an, um eine Anpassung zu ermöglichen. Einzelheiten finden Sie in den Anweisungen, die der optionalen Montagehardware beiliegen.

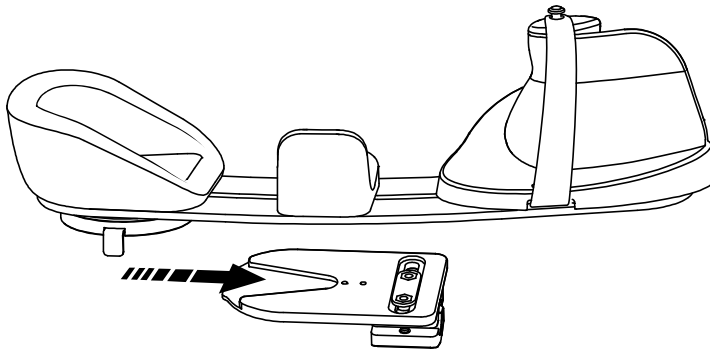


2. Befestigen Sie den Handblock mit der Unterlegscheibe und den mitgelieferten M6-Schrauben an der Grundplatte (2).

Beachten Sie: Ziehen Sie die Schrauben nicht vollständig an, bevor die endgültigen Anpassungen an den Benutzer vorgenommen wurden.

3. Schieben Sie die Armstütze in die Schnellwechsel-Adapterplatte – der Schnellwechsel-Verschluss sollte mit einem hörbaren „Klick“ einrasten.

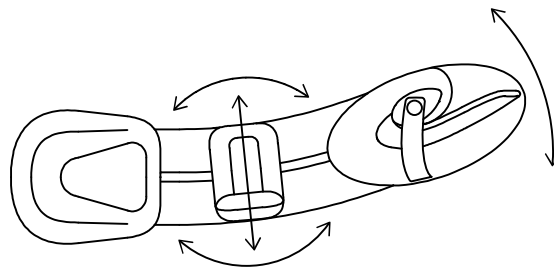
Beachten Sie: Der Schnellwechsel-Verschluss kann eingestellt werden, um jeglichen Spielraum zu beseitigen, indem die M5-Schrauben (2) an der Unterseite mit einem 3-mm-Sechskantschlüssel gelöst werden. Drücken Sie den Schnellwechsel-Verschluss fest gegen die Hinterkante des Schnellverschlusskeils, während Sie die Schrauben wieder festziehen, um ihn zu sichern.



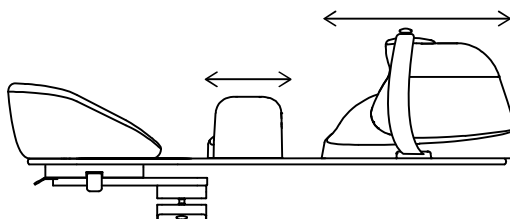
EINSTELLEN DES UNTERARMPOLSTERS UND DES HAND-

Beginnen Sie damit, den Ellbogen des Benutzers im Ellbogenpolster zu positionieren.

Lösen Sie zum Einstellen des Handblocks die M6-Schrauben (2) und schieben Sie den Handblock entlang der Basisplatte, um ein Verrutschen des Unterarms des Benutzers zu verhindern. Ziehen Sie die hintere Schraube an, bis sie fest sitzt, und stellen Sie dann den Winkel des Handblocks auf 0–30° ein, um die Hand und das Handgelenk richtig zu positionieren. Ziehen Sie beide Schrauben vollständig an, um den Handblock zu befestigen.



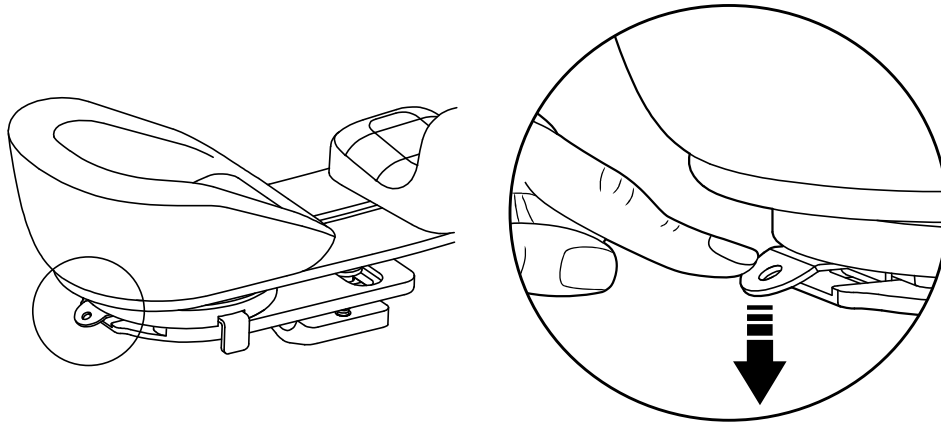
Lösen Sie zum Einstellen des Unterarmpolsters die M6-Schrauben (2) und schieben Sie das Unterarmpolster entlang der Basisplatte, um den Arm des Benutzers hinter dem Handgelenk zu halten. Es kann nach innen oder außen eingestellt, gedreht oder in die entgegengesetzte Richtung neu installiert werden, um die Armbewegung zu unterstützen oder zu begrenzen. Ziehen Sie die Schrauben wieder fest an.



VERWENDUNG DER SCHNELLWECHSEL-ADAPTERPLATTE

Drücken Sie auf den Schnellwechsel-Verschluss, um ihn zum Entfernen zu entriegeln.

Schieben Sie zur erneuten Installation die Armstütze in den Schnellwechsel-Empfänger, bis diese mit einem hörbaren „Klick“ einrastet!

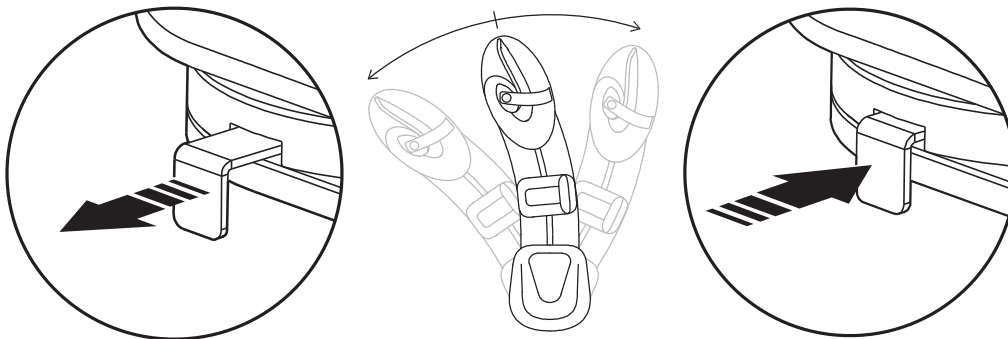


VERRIEGELN/ENTRIEGELN DER DREHPLATTE

Die Armstütze kann entriegelt werden, um eine dynamische Bewegung zu ermöglichen, oder gesperrt werden, um eine feste Armposition beizubehalten.

Ziehen Sie zum Entriegeln die Lasche der Drehplatte heraus. Die Armstütze kann sich nun frei um 60° von innen nach außen drehen.

Drücken Sie zum Verriegeln die Lasche der Drehplatte hinein. Die Armstütze kann in 5°-Schritten verriegelt werden.



ENTRIEGELN

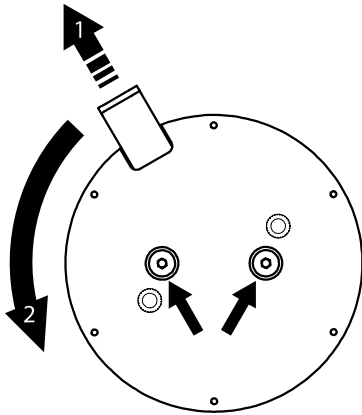
DREHPUNKT

VERRIEGELN

⚠ACHTUNG! Beobachten Sie den Benutzer immer, wenn die Drehplatte zum Drehen entsperrt ist. Die Drehplatte sollte immer verriegelt sein, wenn der Rollstuhl gefahren oder in einem Fahrzeug transportiert wird, um Schäden oder Verletzungen zu vermeiden, die durch das Anstoßen an Türöffnungen oder andere Hindernisse in der Nähe des Rollstuhls entstehen können.

ZUSÄTZLICHE FEINABSTIMMUNG DER PIVOT-PLATTE

ZUSÄTZLICHE TIEFENNEIN STELLUNGEN



Zusätzliche Anpassungen können vorgenommen werden, indem die Drehplatte auf der Grundplatte bis zu 20 mm nach vorne verschoben wird.

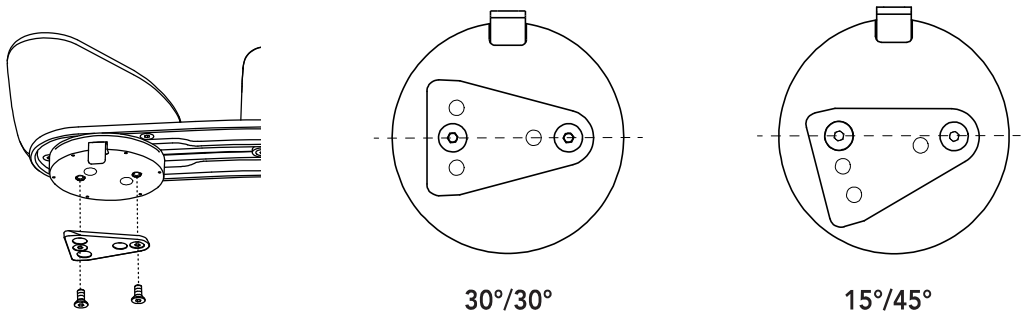
Um auf die Befestigungsschrauben zuzugreifen, entfernen Sie den Schnellwechsel-Keil und ziehen Sie die Lasche der Drehplatte heraus, um sie zu entriegeln und zu drehen, bis die M6-Befestigungsschrauben durch die beiden Zugangslöcher sichtbar sind.

Lösen Sie beide Schrauben, um die Drehplatte nach vorne zu schieben, ziehen Sie dann beide Schrauben wieder vollständig fest und bringen Sie den Schnellwechsel-Keil wieder an.

ZUSÄTZLICHE INTERNE UND EXTERNE

Die Standardeinstellung der Drehplatte ermöglicht aus einer neutralen Position eine 30°-Innenrotation/30°-Außenrotation (ausgerichtet auf die Armlehne des Stuhls). Dies bietet die gleiche Funktion, egal ob auf der rechten oder linken Seite installiert.

Einige Benutzer sind in der Lage, einen größeren Bereich der Innenrotation des Arms zu erreichen, der durch Neupositionierung des Schnellwechsel-Keil an der Unterseite der Drehplatte angepasst werden kann, um eine Innenrotation von 45°/Außenrotation von 15° zu ermöglichen.



30°/30°

15°/45°

SICHERHEITS- UND LEISTUNGSPRÜFUNGEN

Der Benutzer muss im Rollstuhl sitzen, bevor er die Sicherheitsprüfung durchführt.

1. NORMALBETRIEB

Auf Quetschstellen oder lose Teile prüfen.

2. KOMFORT

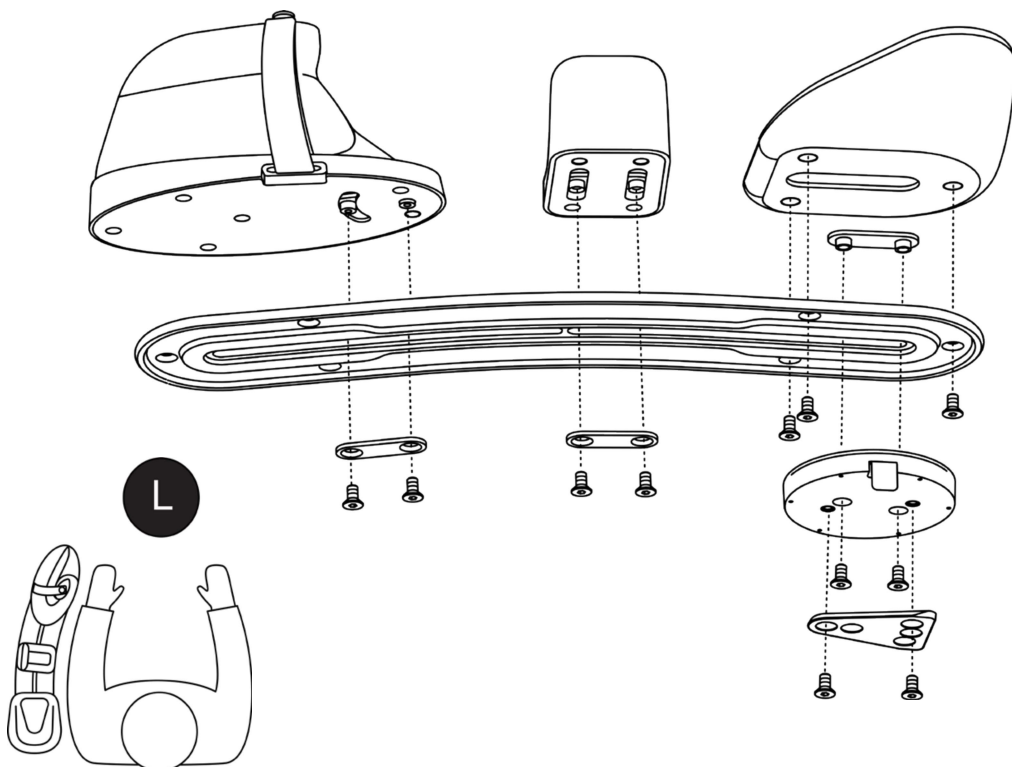
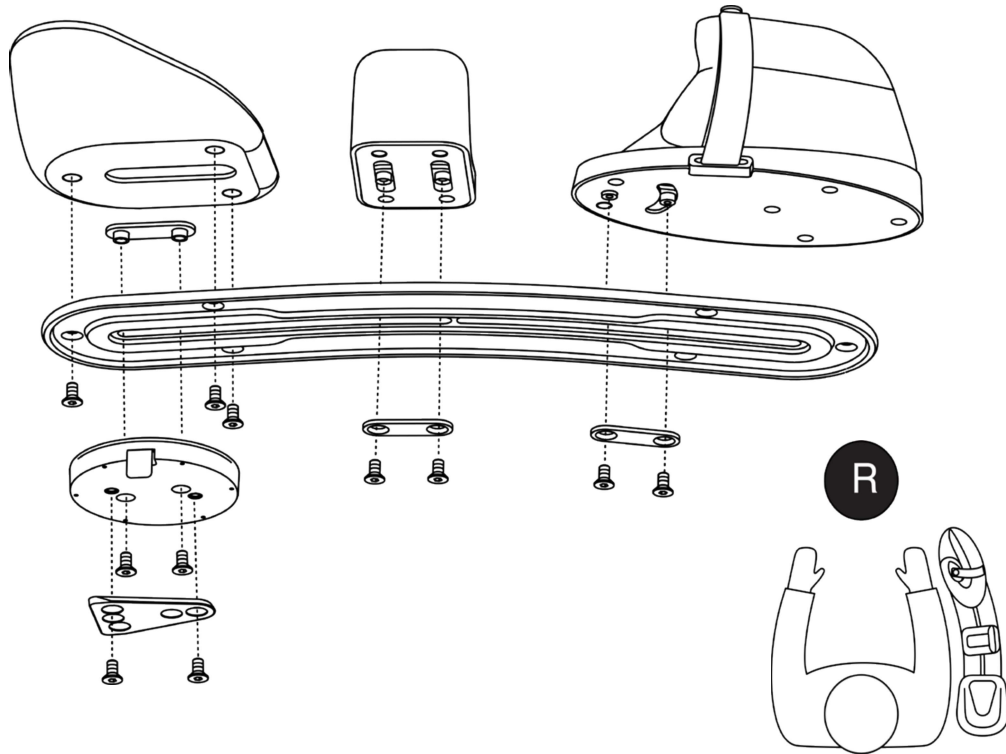
Halten Sie nach gereizten Bereichen Ausschau.

3. POSITION

Bestätigen Sie die korrekte Position des Oberkörpers und der Schultern des Benutzers.

4. ZUSÄTZLICH

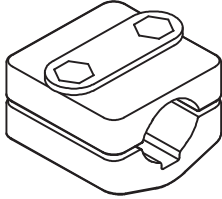
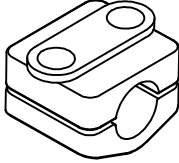
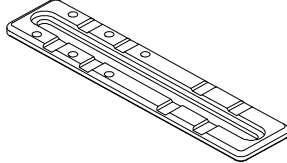
Bewegen Sie den Stuhl über den gesamten Bewegungsbereich, einschließlich Kippen, Falten und Rollen, und prüfen Sie auf Störungen und stellen Sie die Armstütze bei Bedarf an.



Dynamische Armstütze

INSTALLATIONS: MONTAGE-HARDWARE

ART NOS.: AS118, AS119, AS120

		
AS118	AS119	AS120
Armlehnen-Befestigungsklammer	Armlehnen-Befestigungsklammer	Armlehnen-Befestigungsplatte
Kompatibel mit \varnothing 22/25 mm [7/8"/1"] rundem Armlehnenrohr	Kompatibel mit \varnothing 19 mm [3/4"] rundem Armlehnenrohr	Mit flachen Armlehnen kompatibel

⚠️ ACHTUNG Dieses Produkt sollte von einem qualifizierten Reha-Techniker installiert und angepasst werden.

⚠️ ACHTUNG Überprüfen Sie bei der Montage, ob die Armstütze sicher in der Schnellwechsel-Adapterplatte eingerastet ist. Der Installateur sollte ein hörbares „Klick“-Geräusch hören.

⚠️ ACHTUNG Wenn im Zusammenhang mit der Verwendung dieses Produkts ein schwerwiegender Vorfall auftritt, sollte dies dem Hersteller (Bodypoint, Inc.) und der zuständigen örtlichen Behörde gemeldet werden.

SICHERHEITS- UND LEISTUNGSPRÜFUNGEN

Um die Benutzersicherheit zu gewährleisten, muss dieses Produkt regelmäßig auf Funktion und Verschleißerscheinungen überprüft werden. Wenn das Produkt nicht richtig funktioniert oder erhebliche Abnutzungserscheinungen an den Teilen festgestellt werden, stellen Sie bitte die Verwendung ein und wenden Sie sich an Ihren Händler, um eine qualifizierte Reparatur oder einen Ersatz durch Bodypoint® zu erhalten. Unter keinen Umständen darf dieses Produkt von unqualifizierten Personen verändert oder repariert werden.

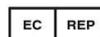
GARANTIE

Für dieses Produkt gilt eine eingeschränkte lebenslange Garantie gegen Verarbeitungs- und Materialfehler, die bei normaler Verwendung durch den Erstverbraucher entstehen. Bitte wenden Sie sich für Garantiesprüche an Ihren Lieferanten oder an Bodypoint®. Weitere Informationen zu Bodypoint®-Produkten und Informationen zu Händlern außerhalb der USA finden Sie unter www.bodypoint.com.



BP Bodypoint®

558 1st Avenue South
Suite 300
Seattle, WA 98104, USA



Bodypoint Europe BV
Kerkstraat 29
7396 PG Terwolde, NL



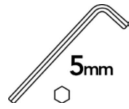
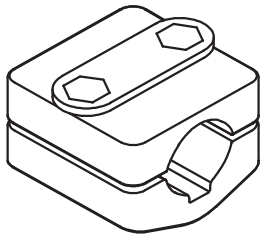
206.405.4555
800.547.5715



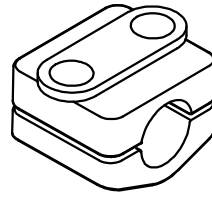
www.bodypoint.com



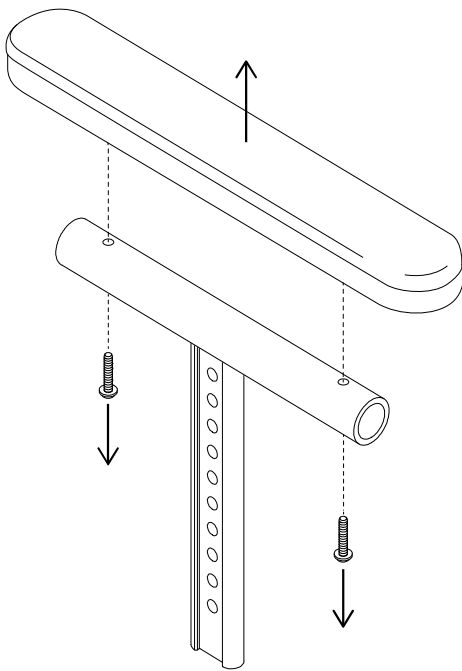
AS118



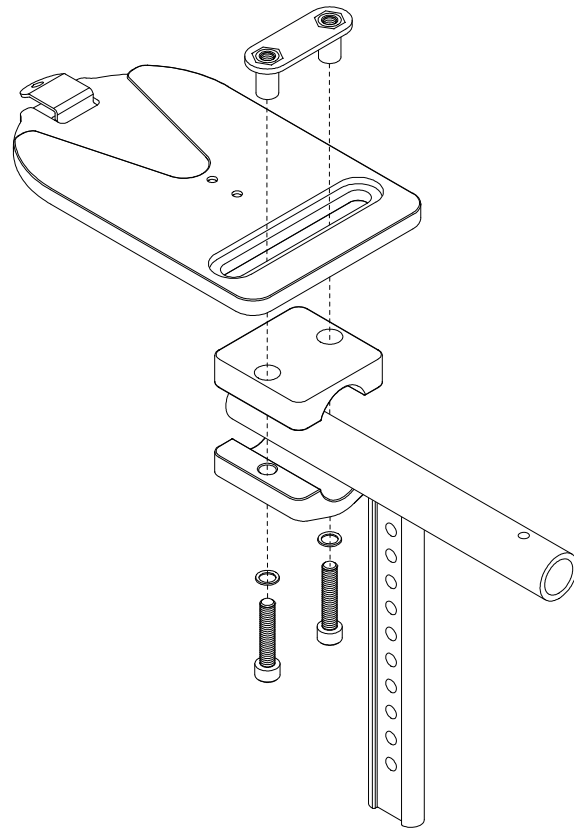
AS119



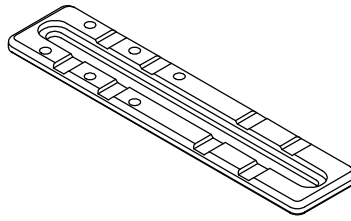
1


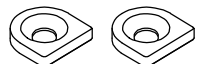


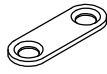

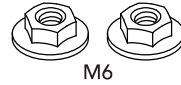
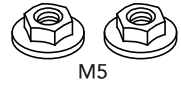
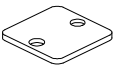






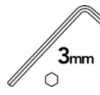


2

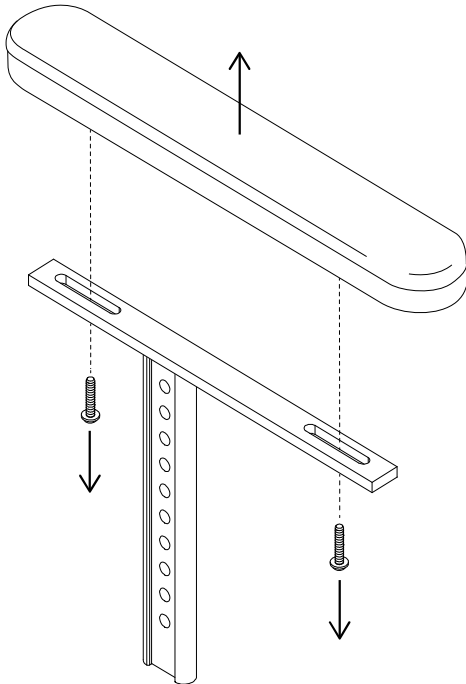


AS120

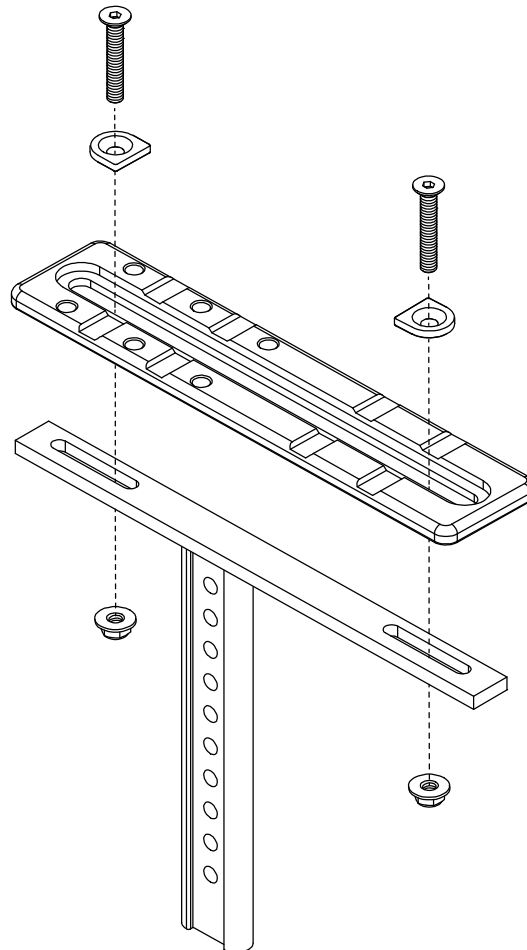


 M6x20m		 M6x35mm	 M5x35mm
		 M6	 M5
	 X4	 M6	 M5
 10mm	 8mm	 4mm	 3mm

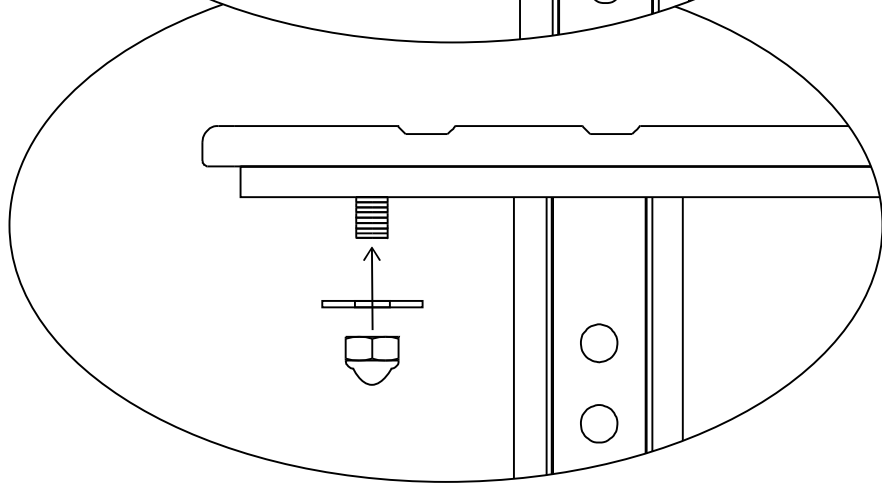
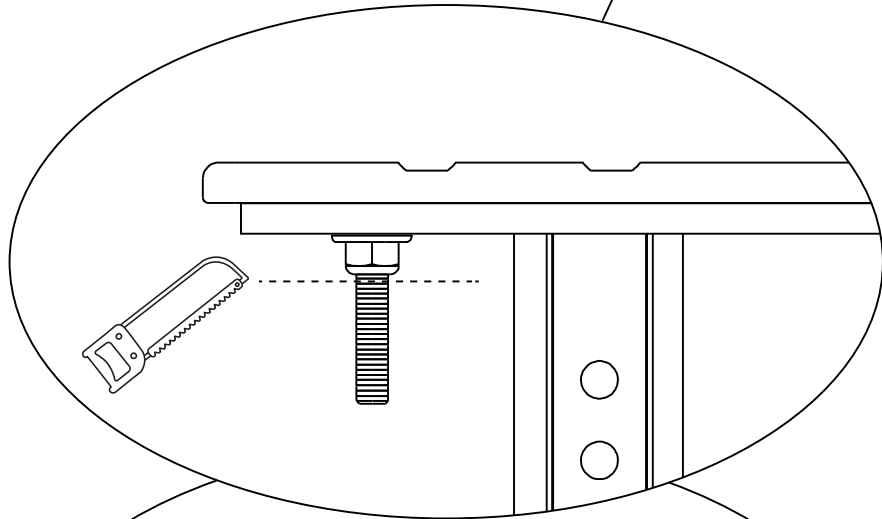
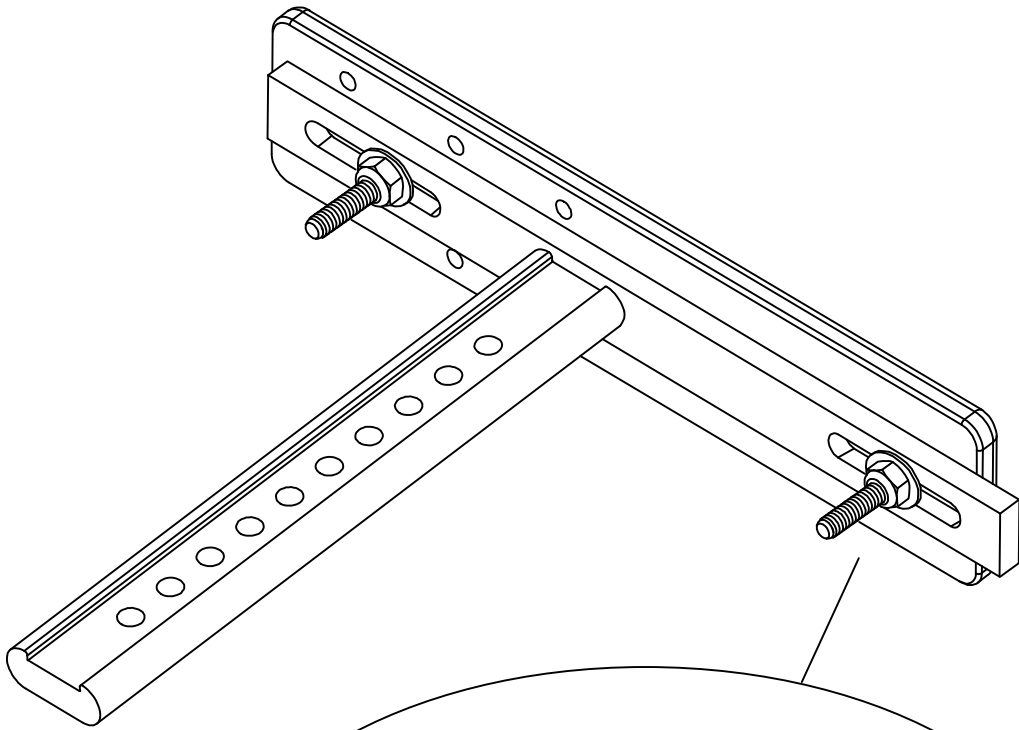
1



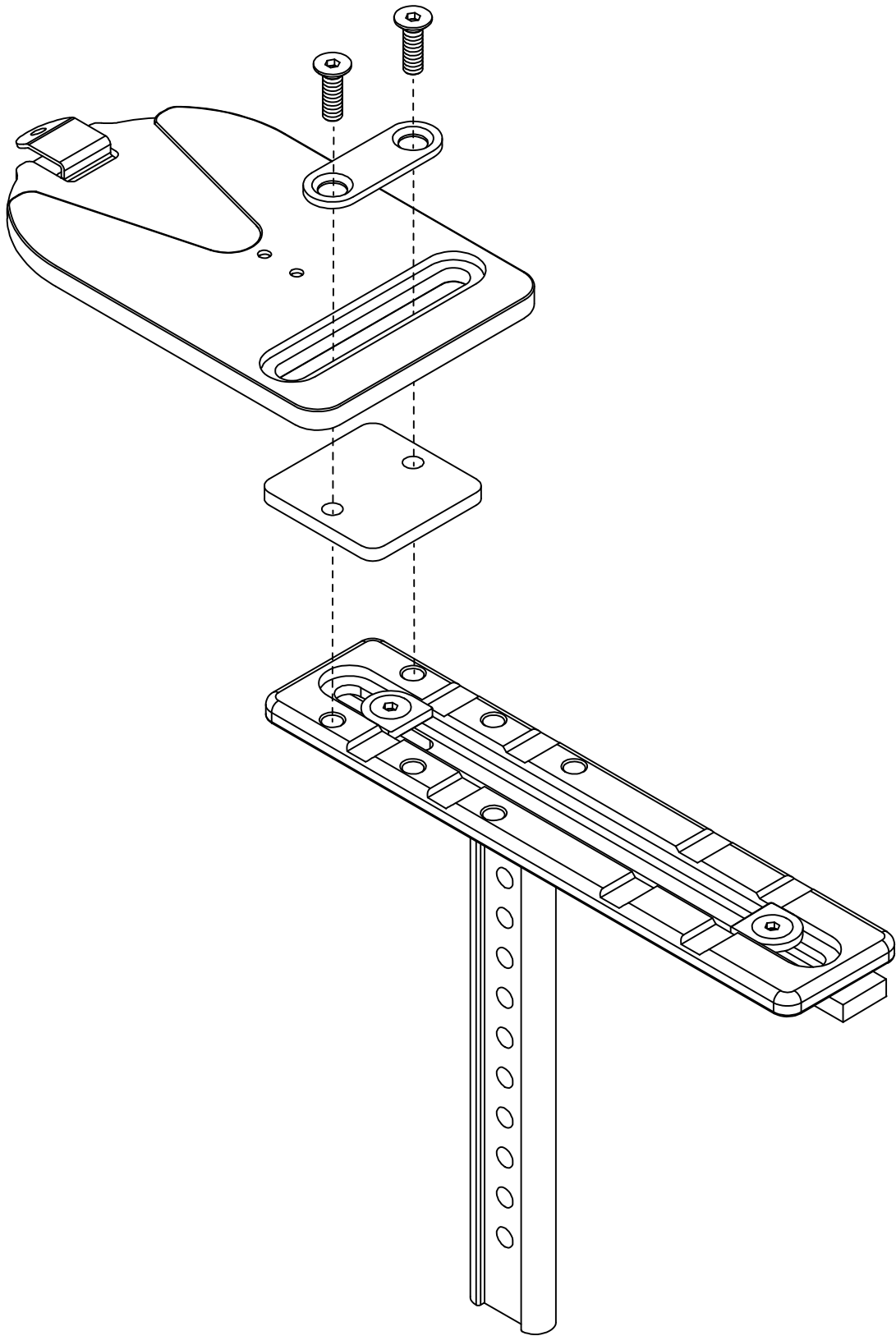
2

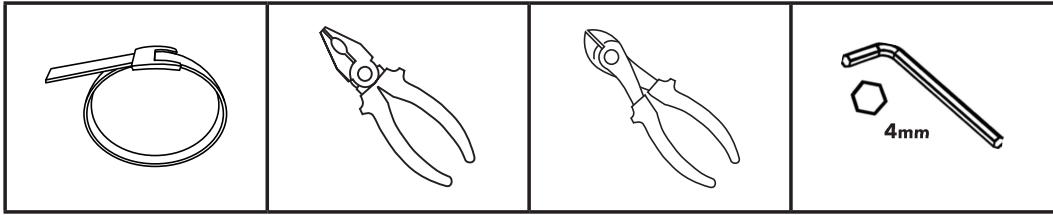


3

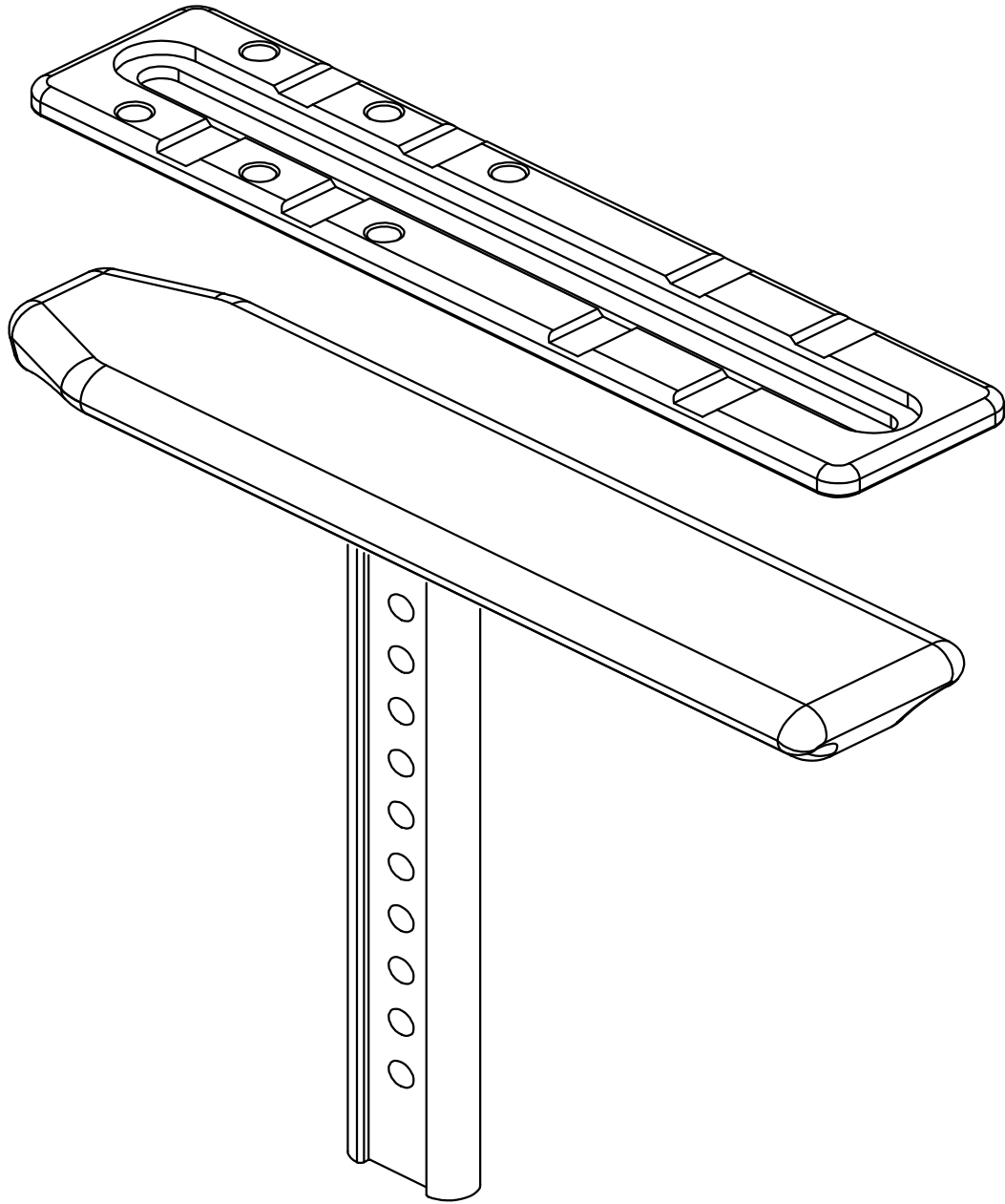


4

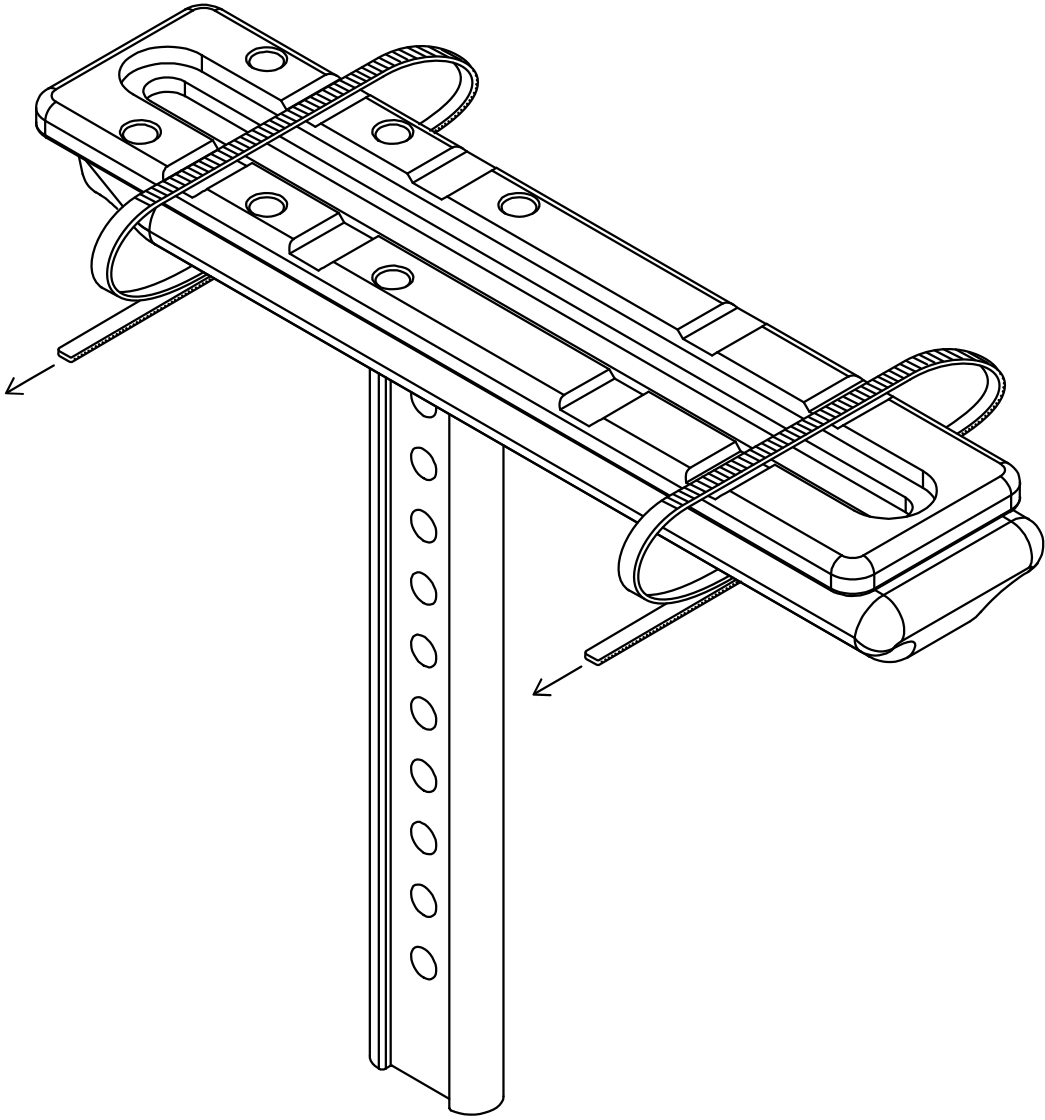




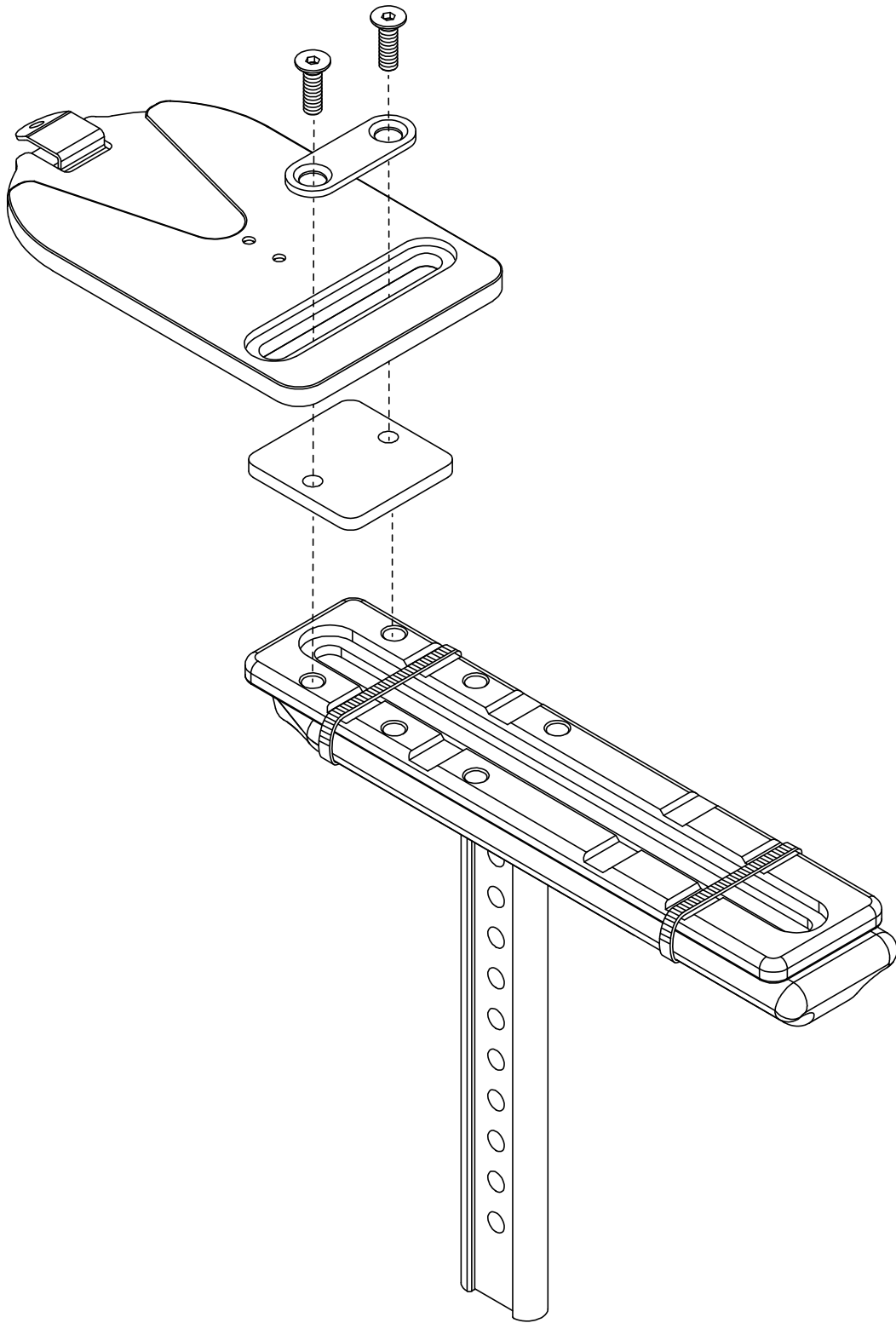
1



2



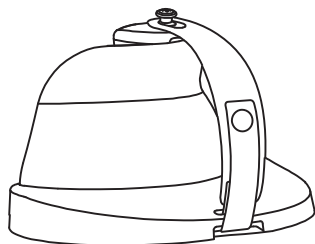
3



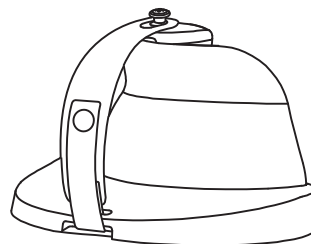
Supporto dinamico per arto superiore

CONTENUTO DELLA CONFEZIONE

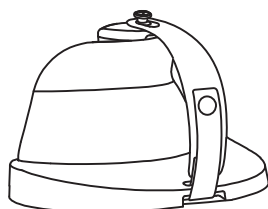
ART NOS.: AS001



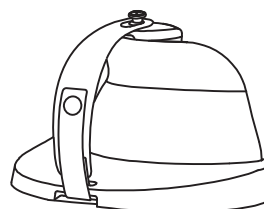
AS116L



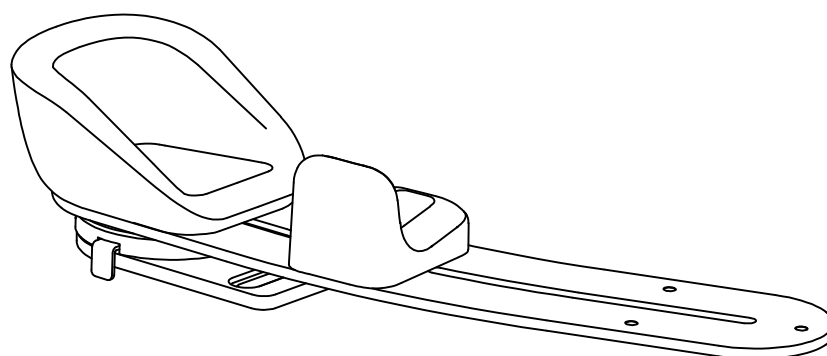
AS116R



AS115L



AS115R



AS200R



Bodypoint

558 1st Avenue South
Suite 300
Seattle, WA 98104, USA

EC REP

Bodypoint Europe BV
Kerkstraat 29
7396 PG Terwolde, NL

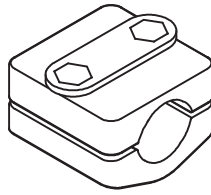


206.405.4555
800.547.5715



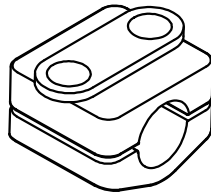
www.bodypoint.com





AS118

Ø22/25mm [7/8"/1"]



AS119

Ø19mm [3/4"]

 M6x20mm			 M5x35mm
 M6x35mm			 M5
 M6	 M5	 M6	

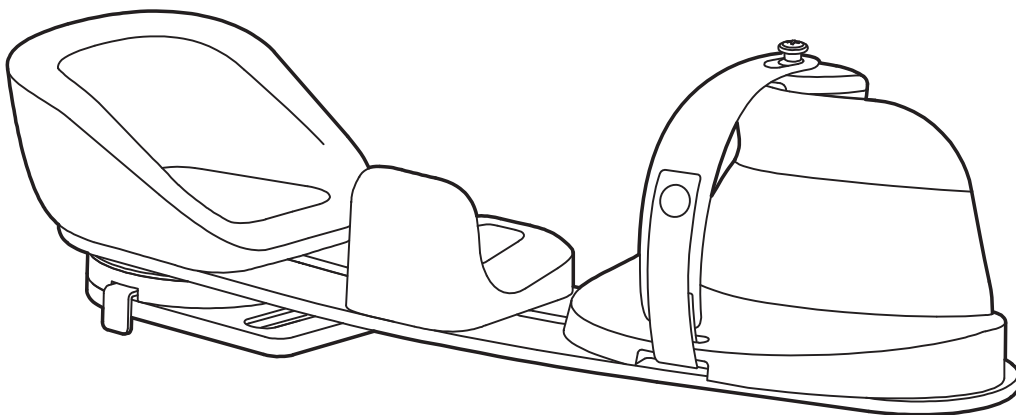
AS120

Supporto dinamico per arto superiore

N. ART.: AS201L, AS201R, AS202L, AS202R, AS200L, AS200R

ISTRUZIONI DI INSTALLAZIONE E PER L'USO

Queste istruzioni forniscono informazioni importanti per l'uso e la manutenzione in sicurezza dei supporti per arti superiori Bodypoint®. Consegnare queste istruzioni all'utilizzatore o all'assistente e rivederle per assicurarsi che vengano comprese.



USO PREVISTO:

Il supporto dinamico per arto superiore è un supporto dinamico e mobile per il gomito, l'avambraccio e la mano che si fissa a una carrozzina manuale o elettrica. Offre supporto agli arti superiori, un raggio di azione dinamico e funzionale del movimento della spalla e un supporto per le mani innovativo e flessibile che favorisce il funzionamento della mano e aiuta a ridurre al minimo il tono flessorio e le contratture.

Questo prodotto include componenti modulari che possono essere regolati per un adattamento ortotico personalizzato. Un meccanismo rotante consente agli utilizzatori di esercitare la spalla in un raggio d'azione dinamico e funzionale del movimento. L'impugnatura flessibile per la mano aiuta a posizionare il polso, la mano e le dita in un allineamento neutro e a ridurre al minimo il tono flessorio e le contratture.

Questo prodotto è progettato per essere montato su una varietà di modelli di carrozzina con braccioli regolabili in altezza e può essere rimosso facilmente per i trasferimenti utilizzando la funzione di sgancio rapido. Per garantire l'esito clinico migliore, gli utilizzatori devono consultare un operatore sanitario qualificato prima di utilizzare il prodotto.



BP Bodypoint®

558 1st Avenue South
Suite 300
Seattle, WA 98104, USA



Bodypoint Europe BV
Kerkstraat 29
7396 PG Terwolde, NL



206.405.4555
800.547.5715



www.bodypoint.com



⚠AVVERTENZA! Questo prodotto deve essere installato e adattato da un tecnico qualificato.

⚠AVVERTENZA! Questo prodotto deve essere utilizzato solo per posizionare le braccia di una persona su una carrozzina. L'uso improprio di questo prodotto non è autorizzato e non è sicuro.

⚠AVVERTENZA! Il braccio dell'utilizzatore deve essere posizionato correttamente nel supporto per arto superiore. Un supporto per arto superiore regolato male potrebbe causare uno scivolamento del braccio dell'utilizzatore, un dislocamento della spalla o un peggioramento del tono flessore della mano. Chiedere al terapeuta o al tecnico di dimostrare la regolazione e l'uso corretti.

⚠AVVERTENZA! Se le capacità fisiche o cognitive dell'utilizzatore gli impediscono di utilizzare questo prodotto in modo sicuro, la persona che se ne prende cura deve essere sempre presente durante il suo utilizzo. Assicurarsi che tutte le persone addette alla cura sappiano come utilizzare correttamente il prodotto.

⚠AVVERTENZA! Questo prodotto può In caso cambiare il modo in cui sta seduta una persona. Continuare a eseguire attività regolari di scarico della pressione e controlli dell'integrità della

cute. di aumento del rossore o dell'irritazione della cute, interromperne l'uso e consultare il proprio operatore sanitario qualificato.

⚠AVVERTENZA! Monitorare sempre l'utilizzatore quando la piastra di rotazione è sbloccata e può ruotare. La piastra di rotazione deve essere sempre bloccata quando si guida la carrozzina o la si trasporta in un veicolo, per prevenire danni o lesioni che potrebbero derivare da urti contro le porte o altri ostacoli vicino al lato della carrozzina.

⚠AVVERTENZA! Durante il montaggio verificare che il supporto per arto superiore sia bloccato saldamente nella piastra di adattamento a sgancio rapido. L'installatore dovrebbe sentire un "clic" udibile.

⚠AVVERTENZA! Se si verificasse un incidente grave correlato all'uso di questo prodotto, deve essere segnalato al produttore (Bodypoint, Inc.) e all'autorità competente locale.

⚠AVVERTENZA! Quando si lascia la sedia a rotelle, è più sicuro trasferirsi su un sedile di veicolo installato dal fabbricante, e usare il sistema di trattenuta dell'occupante del veicolo testato per le collisioni. Il mancato uso dei dispositivi di trattenuta appropriati in un veicolo può causare gravi lesioni o persino il decesso

CONTROLLI PERIODICI DELLA SICUREZZA E DELLE PRESTAZIONI:

Per garantire la sicurezza dell'utilizzatore, questo prodotto deve essere controllato periodicamente per verificarne il funzionamento e la presenza di segni di usura. Se il prodotto non funziona correttamente o se si riscontra un'usura significativa nelle parti, smettere di utilizzarlo e contattare il fornitore per una riparazione qualificata o una sostituzione da parte di Bodypoint®. In nessun caso questo prodotto deve essere modificato o riparato da persone non qualificate.

PULIZIA:

Questo prodotto può essere pulito strofinandolo con un disinfettante o un panno imbevuto di acqua tiepida e sapone. Asciugare con un asciugamano o all'aria. È possibile applicare sulla superficie un disinfettante delicato. Per la pulizia della cinturino per le mani: lavare in lavatrice a caldo a 60 °C (140 °F). Non candeggiare. Asciugare nell'asciugabiancheria a bassa temperatura o stendere per farlo asciugare. Non stirare.



RIFIUTI/SMALTIMENTO:

Questo prodotto è realizzato con materiali che possono essere smaltiti in modo sicuro senza precauzioni speciali al termine della sua vita utile.

GARANZIA:

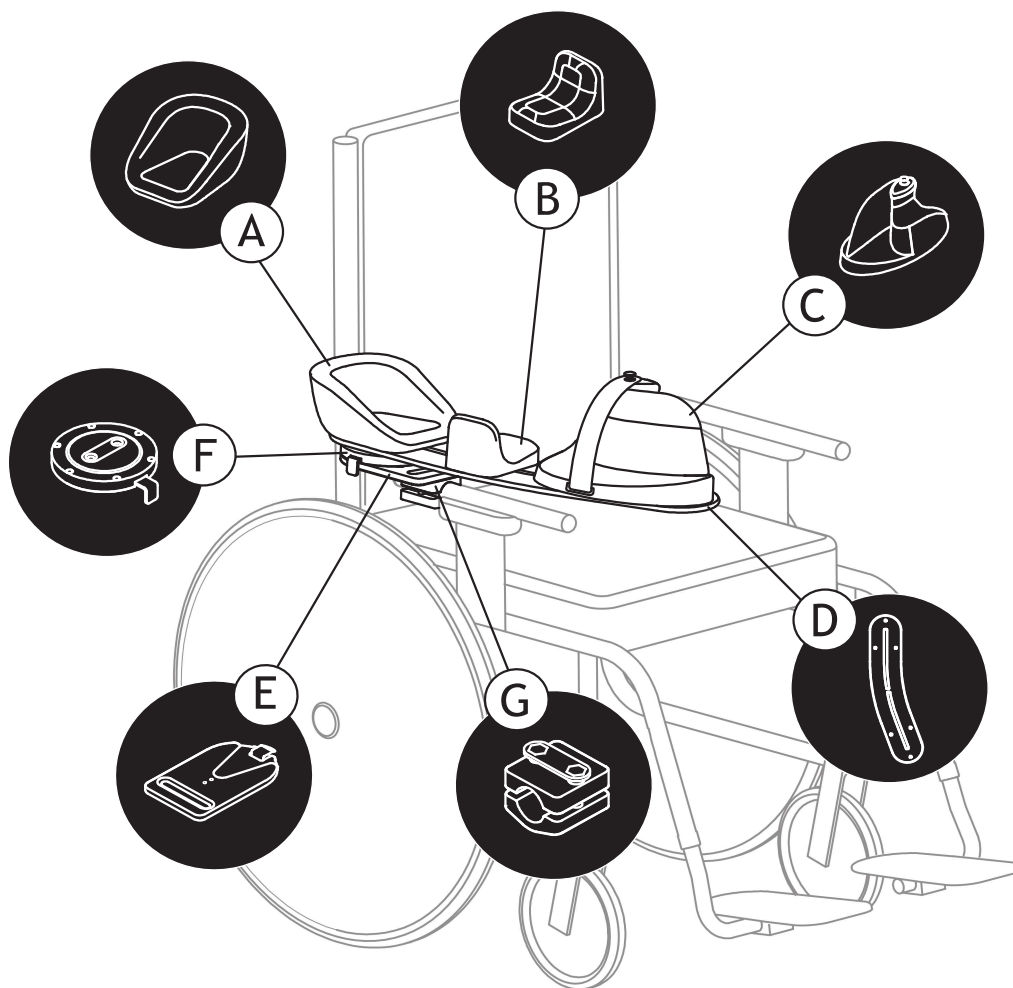
Questo prodotto è coperto da una garanzia a vita limitata contro difetti di fabbricazione e materiali che si presentano durante l'utilizzo normale da parte del consumatore originale. Contattare il rivenditore o Bodypoint® per richieste di garanzia. Per ulteriori informazioni sui prodotti Bodypoint® e sui distributori al di fuori degli Stati Uniti visitare il sito www.bodypoint.com.

UTENSILI RICHIESTI

Chiave esagonale da 4 mm	Chiave esagonale da 3 mm Per la regolazione di precisione opzionale il dispositivo a sgancio rapido
 4mm	 3mm

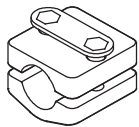
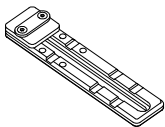
CONTENUTO DELLA CONFEZIONE

A	B	C	D	E	F
Imbottitura per gomito	Imbottitura per avambraccio	Impugnatura e cinturino per mano	Base con binario	Piastra di adattamento a sgancio rapido	Piastra di rotazione

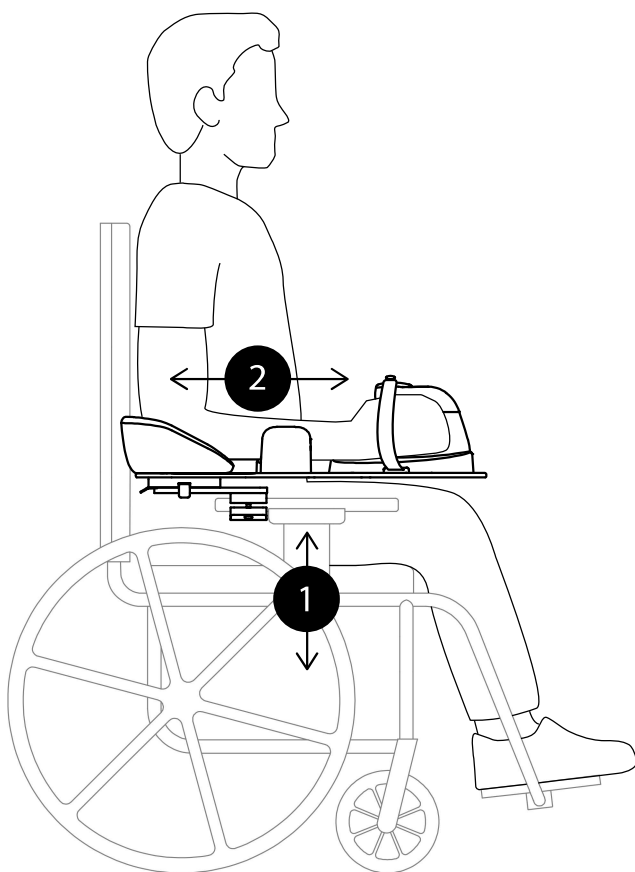


ELEMENTI DI MONTAGGIO

MORSETTO O PIASTRA OPZIONALE VENDUTI SEPARATAMENTE
MORSETTO DI MONTAGGIO DEL BRACCIOLO MOSTRATO SOPRA

G	H
<p>Morsetto di montaggio del bracciolo</p> <p>Compatibile con tubi per braccioli tondi Ø19 mm [3/4"] o Ø22/25 mm [7/8"/1"]</p>	<p>Piastra di montaggio del bracciolo</p> <p>Compatibile con braccioli piatti</p>
	

POSIZIONAMENTO DEL SUPPORTO PER ARTO SUPERIORE



1. Altezza

Per un posizionamento ottimale si consiglia l'uso di un bracciolo regolabile in altezza.

Regolare l'altezza del bracciolo in modo da sostenere il gomito e distribuire uniformemente la pressione del braccio senza sollevare la spalla.

2. Profondità

Per regolare il supporto per arto superiore in avanti o all'indietro, allentare le viti situate sul raccordo di montaggio del bracciolo.

Far scorrere il supporto per arto superiore in avanti o all'indietro sul bracciolo nella posizione corretta.

Per ulteriori informazioni vedere: "ULTERIORE REGOLAZIONE DI PRECISIONE DELLA PIASTRA DI ROTAZIONE: ULTERIORI REGOLAZIONI DELLA PROFONDITÀ"

3. Laterale

Per regolare il supporto per arto superiore avvicinandolo o allontanandolo dall'utilizzatore, allentare le viti che fissano la piastra di adattamento a sgancio rapido al raccordo di montaggio del bracciolo.

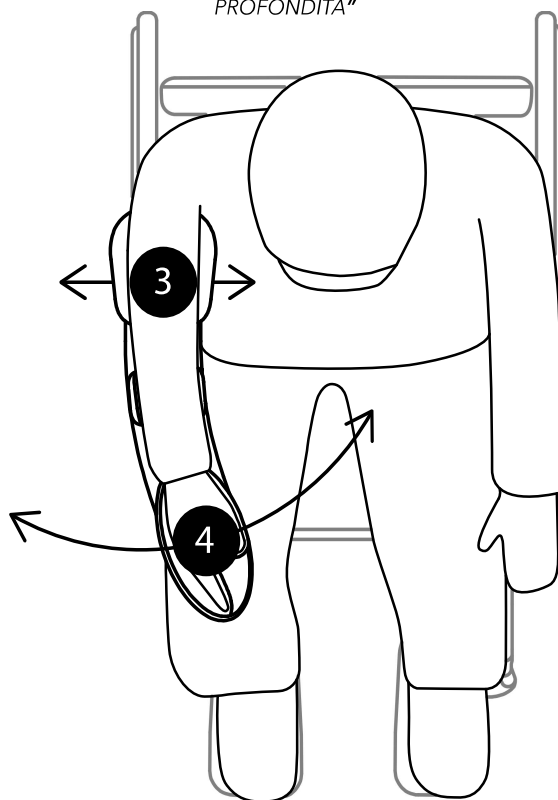
Far scorrere il supporto per arto superiore verso l'interno o verso l'esterno e stringere nuovamente entrambe le viti.

4. Angolo

La piastra di rotazione consente un intervallo di 60° di rotazione interna ed esterna. Per scegliere l'angolo del supporto per arto superiore, estrarre la linguetta della piastra di rotazione e posizionare il supporto per arto superiore.

Spingere la linguetta della piastra di rotazione verso l'interno per bloccare l'angolo desiderato con incrementi di 5°.

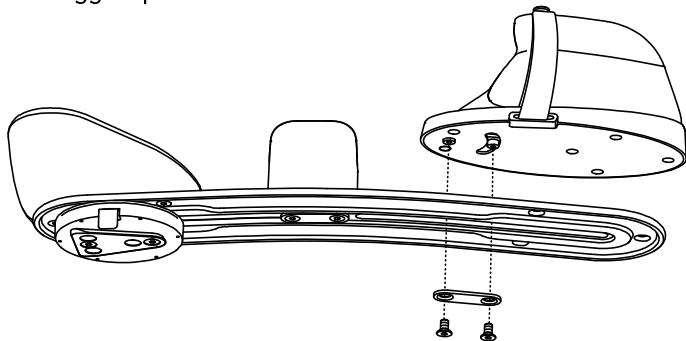
Per ulteriori informazioni vedere: "ULTERIORE REGOLAZIONE DI PRECISIONE DELLA PIASTRA DI ROTAZIONE: ULTERIORI LIMITI DI ROTAZIONE INTERNI ED ESTERNI"



INSTALLAZIONE DEL SUPPORTO PER ARTO SUPERIORE

Prima dell'installazione rimuovere l'elemento di alloggiamento a sgancio rapido dal supporto per arto superiore. Per ulteriori informazioni vedere: "USO DELLA PIASTRA DI ADATTAMENTO A SGANCIO RAPIDO".

1. Montare l'elemento di alloggiamento a sgancio rapido sul bracciolo della carrozzina utilizzando gli elementi di montaggio opzionale del bracciolo. Stringere parzialmente le viti di montaggio per permettere la regolazione. Per ulteriori dettagli consultare le istruzioni fornite con gli elementi di montaggio opzionale.

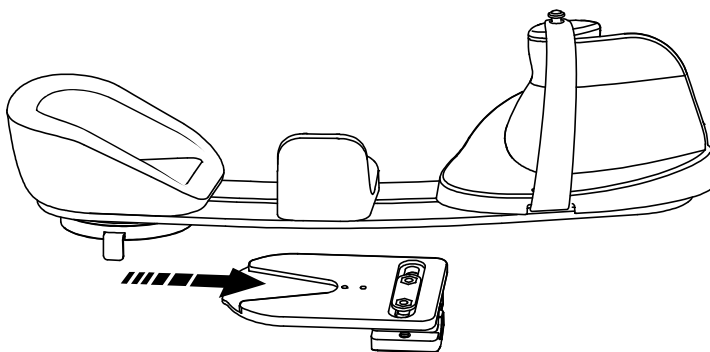


2. Montare la maniglia sulla base con binario utilizzando la piastrina e le viti M6 incluse (2).

Nota: non stringere completamente le viti fino a quando non sono state eseguite le regolazioni finali per l'adattamento all'utilizzatore.

3. Far scorrere il supporto per arto superior nella piastra di adattamento a sgancio rapido: il dispositivo a sgancio rapido dovrebbe bloccarsi emettendo un "clic" udibile.

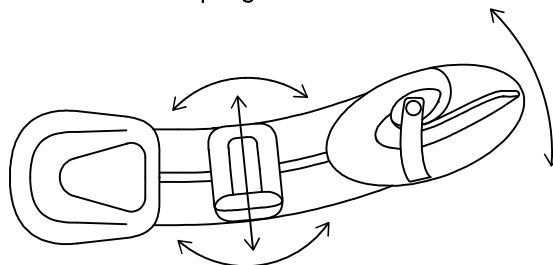
Nota: il dispositivo a sgancio rapido può essere regolato per eliminare qualsiasi gioco allentando le viti M5 (2) sul fondo con l'ausilio di una chiave esagonale da 3 mm. Spingere saldamente il dispositivo a sgancio rapido contro il bordo posteriore del cuneo a sgancio rapido, stringendo nuovamente le viti per fissarlo in posizione.



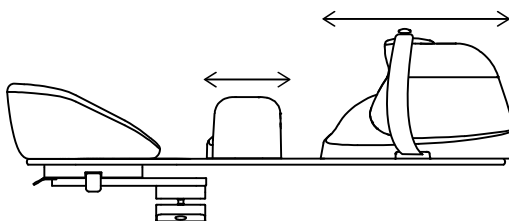
REGOLAZIONE DELL'IMBOTTITURA PER AVAMBRACCIO E DELLA MANIGLIA

Iniziare posizionando il gomito dell'utilizzatore nell'imbottitura per gomito.

Per regolare la maniglia, allentare le viti M6 (2) e far scorrere la maniglia lungo la base con binario per evitare lo spostamento dell'avambraccio dell'utilizzatore. Stringere la vite posteriore fino a quando non è serrata, quindi regolare l'angolo della maniglia di 0-30° per posizionare correttamente la mano e il polso. Stringere completamente entrambe le viti per fissare in posizione la maniglia.



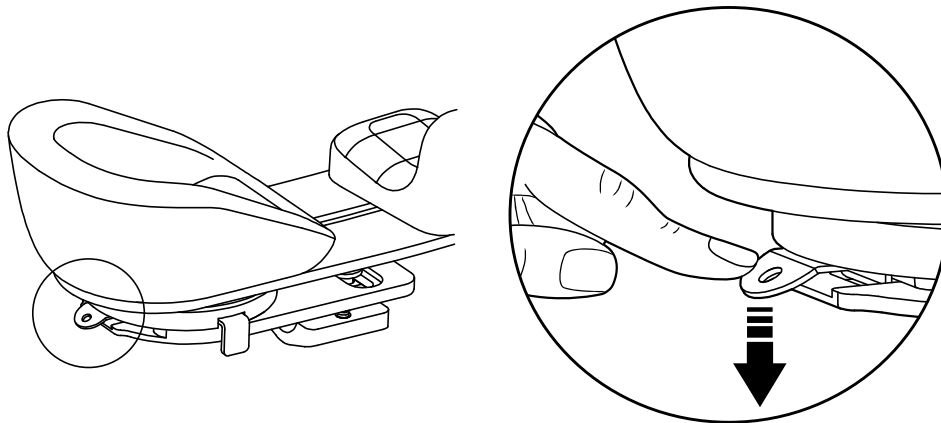
Per regolare l'imbottitura per avambraccio, allentare le viti M6 (2) e far scorrere l'imbottitura per avambraccio lungo la base con binario per sostenere il braccio dell'utilizzatore dietro il polso. Può essere regolato all'interno o all'esterno, ruotato o reinstallato nella direzione opposta per sostenere o limitare il movimento del braccio. Stringere nuovamente le viti.



USO DELLA PIASTRA DI ADATTAMENTO A SGANCIO RAPIDO

Premere il dispositivo a sgancio rapido per lo sbloccaggio e la rimozione.

Per la reinstallazione, far scorrere il supporto per arto superiore nell'elemento di alloggiamento a sgancio rapido finché non si innesta con un "clic" udibile.

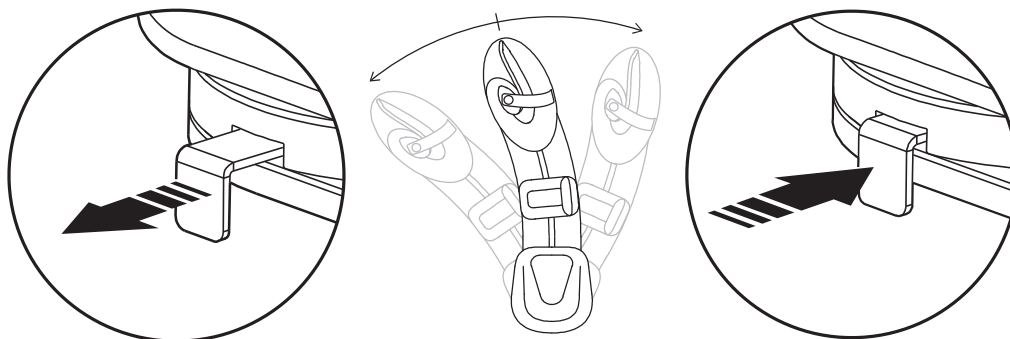


BLOCCO/SBLOCCO DELLA PIASTRA DI ROTAZIONE

Il supporto per arto superiore può essere sbloccato per consentire un movimento dinamico o statico per mantenere una posizione fissa del braccio.

Per sbloccare, estrarre la linguetta della piastra di rotazione. Il supporto per arto superiore può ora ruotare liberamente in un intervallo interno-esterno di 60°.

Per bloccare, premere la linguetta della piastra di rotazione. Il supporto per arto superiore può essere bloccato con incrementi di 5°.



SBLOCCO

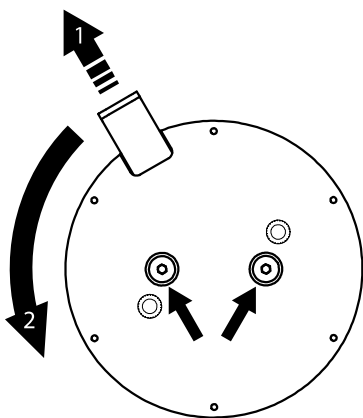
ROTAZIONE

BLOCCO

⚠AVVERTENZA! Monitorare sempre l'utilizzatore quando la piastra di rotazione è sbloccata e può ruotare. La piastra di rotazione deve essere sempre bloccata quando si guida la carrozzina o la si trasporta in un veicolo, per prevenire danni o lesioni che potrebbero derivare da urti contro le porte o altri ostacoli vicino al lato della carrozzina.

ULTERIORE REGOLAZIONE DI PRECISIONE DELLA PIASTRA DI ROTAZIONE

ULTERIORI REGOLAZIONI DELLA PROFONDITÀ



È possibile effettuare ulteriori regolazioni riposizionando la piastra di rotazione fino a 20 mm in avanti sulla base con binario.

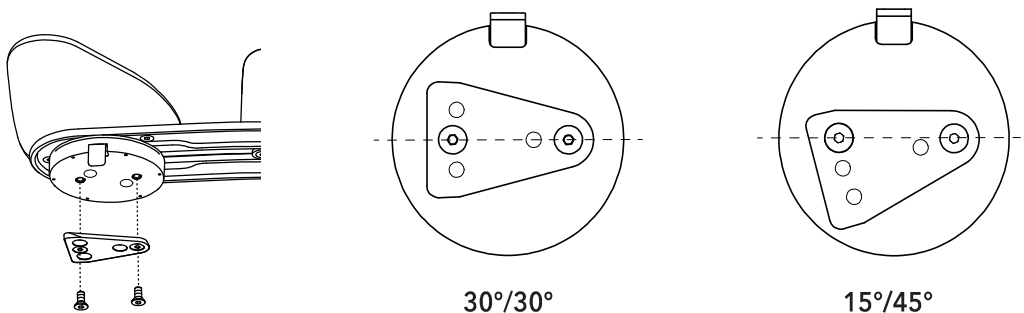
Per accedere alle viti di montaggio, rimuovere il cuneo a sgancio rapido ed estrarre la linguetta della piastra di rotazione per sbloccarla e ruotarla fino a quando le viti di montaggio M6 non sono visibili attraverso i due fori di accesso.

Allentare entrambe le viti per far scorrere in avanti la piastra di rotazione, quindi stringere completamente entrambe le viti e riattaccare il cuneo a sgancio rapido.

ULTERIORI LIMITI DI ROTAZIONE INTERNI ED ESTERNI

L'impostazione standard della piastra di rotazione consente una rotazione di 30° interna e di 30° esterna della posizione neutra (allineata al bracciolo della carrozzina). La funzione è la stessa sia che venga installata sul lato destro che su quello sinistro.

Alcuni utilizzatori sono in grado di ruotare il braccio verso l'interno con un raggio di azione maggiore: ciò può essere assecondato riposizionando il cuneo a sgancio rapido sul fondo della piastra di rotazione per consentire una rotazione interna di 45° ed esterna di 15°.



CONTROLLI DI SICUREZZA E DELLE PRESTAZIONI

L'utilizzatore deve essere seduto sulla carrozzina prima di eseguire il controllo della sicurezza.

1. FUNZIONAMENTO NORMALE

Verificare la presenza di punti di schiacciamento o parti allentate.

2. COMFORT

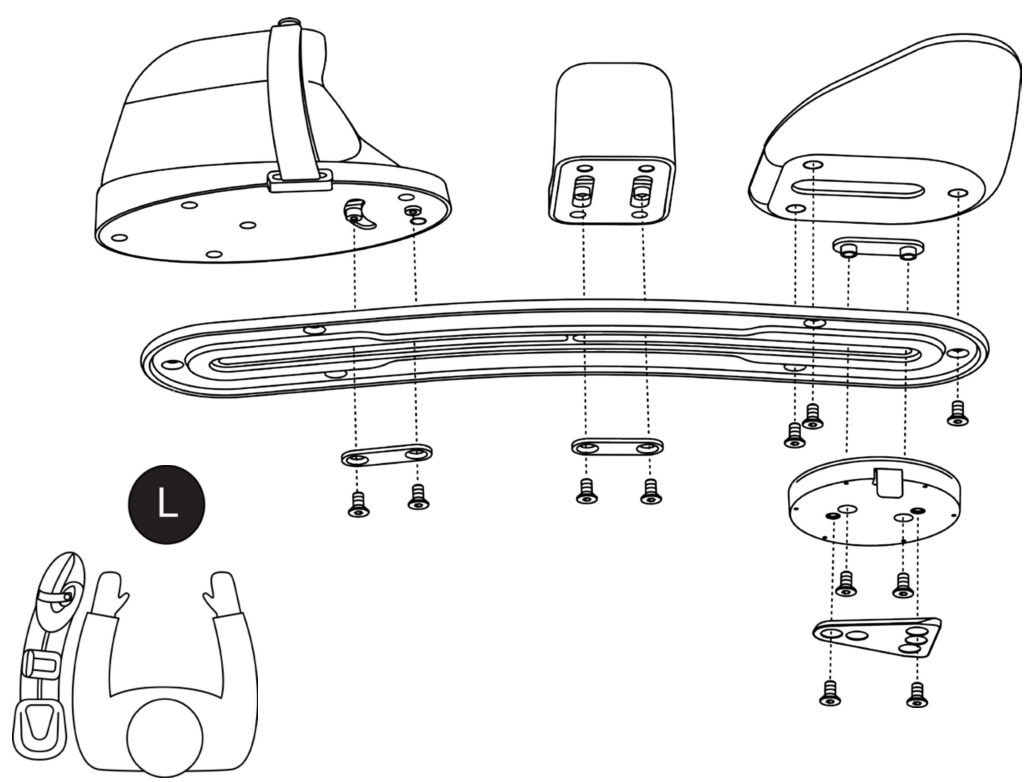
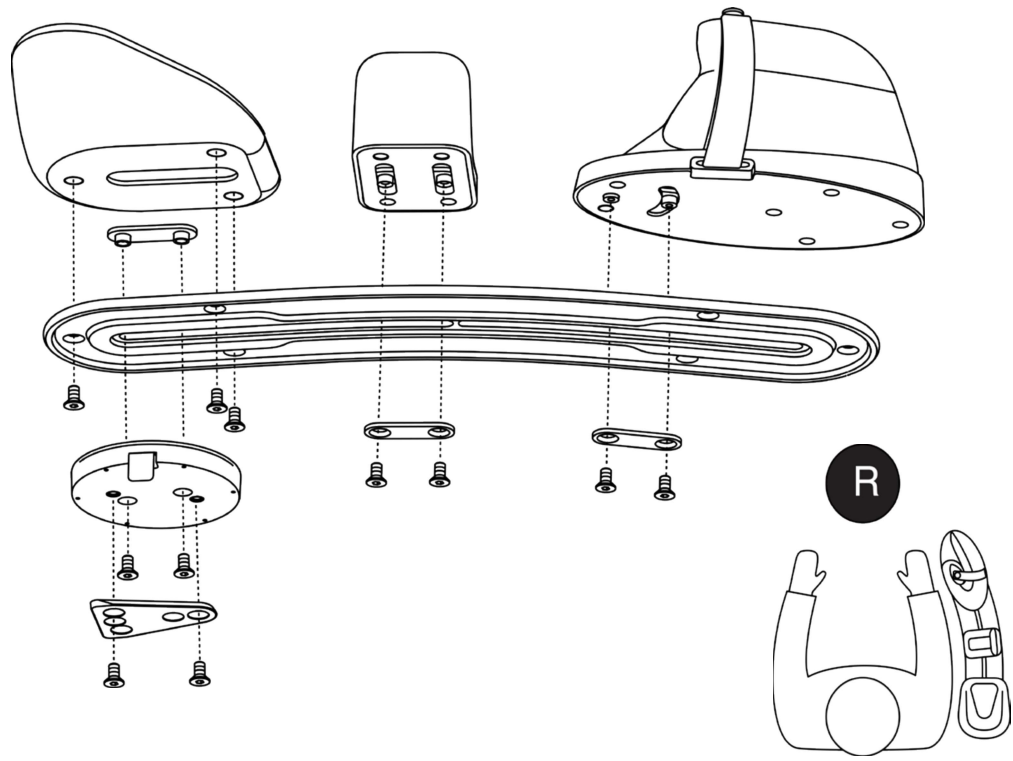
Cercare eventuali aree di irritazione.

3. POSIZIONE

Verificare la corretta posizione della parte superiore del corpo e delle spalle dell'utilizzatore.

4. AGGIUNTIVO

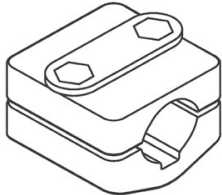
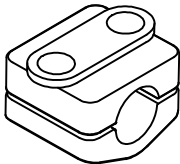
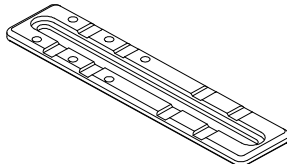
Movimentare la carrozzina attraverso l'intera gamma di movimenti, compresi l'inclinazione, il ripiegamento e il rotolamento, e verificare la presenza di eventuali interferenze e regolare il supporto per arto superiore, se necessario.



Supporto dinamico per arto superiore

ISTRUZIONI: ELEMENTI DI MONTAGGIO

ART NOS.: AS118, AS119, AS120

		
AS118	AS119	AS120
Morsetto di montaggio del braccio	Morsetto di montaggio del braccio	Piastra di montaggio del braccio
Compatibile con tubi per braccioli tondi Ø22/25 mm [7/8"/1"]	Compatibile con tubi per braccioli tondi Ø19 mm [3/4"]	Compatibile con braccioli piatti

⚠AVVERTENZA! Questo prodotto deve essere installato e adattato da un tecnico qualificato.

⚠AVVERTENZA! Durante il montaggio verificare che il supporto per arto superiore sia bloccato saldamente nella piastra di adattamento a sgancio rapido. L'installatore dovrebbe sentire un "clac" udibile.

⚠AVVERTENZA! Se si verificasse un incidente grave correlato all'uso di questo prodotto, deve essere segnalato al produttore (Bodypoint, Inc.) e all'autorità competente locale.

CONTROLLI DI SICUREZZA E DELLE PRESTAZIONI

Per garantire la sicurezza dell'utilizzatore, questo prodotto deve essere controllato periodicamente per verificarne il funzionamento e la presenza di segni di usura. Se il prodotto non funziona correttamente o se si riscontra un'usura significativa nelle parti, smettere di utilizzarlo e contattare il fornitore per una riparazione qualificata o una sostituzione da parte di Bodypoint®. In nessun caso questo prodotto deve essere modificato o riparato da persone non qualificate.

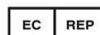
GARANZIA

Questo prodotto è coperto da una garanzia a vita limitata contro difetti di fabbricazione e materiali che si presentano durante l'utilizzo normale da parte del consumatore originale. Contattare il rivenditore o Bodypoint® per richieste di garanzia. Per ulteriori informazioni sui prodotti Bodypoint® e sui distributori al di fuori degli Stati Uniti visitare il sito www.bodypoint.com.



BP Bodypoint®

558 1st Avenue South
Suite 300
Seattle, WA 98104, USA



Bodypoint Europe BV
Kerkstraat 29
7396 PG Terwolde, NL



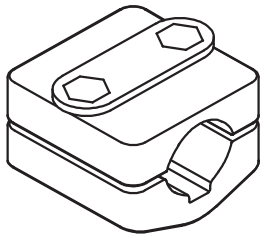
206.405.4555
800.547.5715



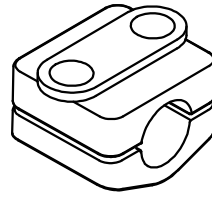
www.bodypoint.com



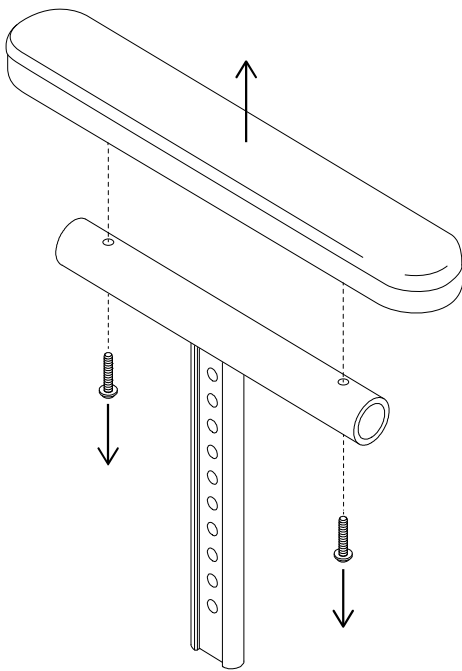
AS118



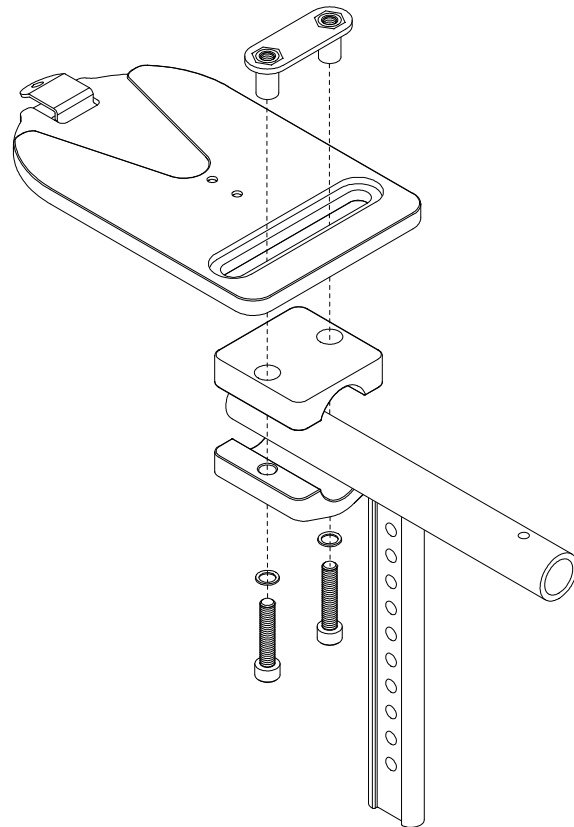
AS119



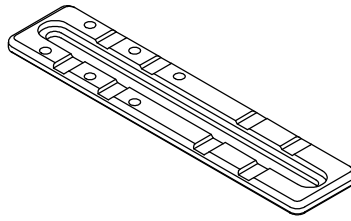
1


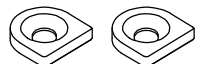
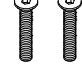
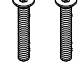
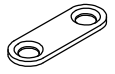

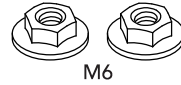
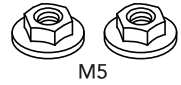
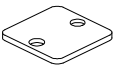






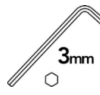


2

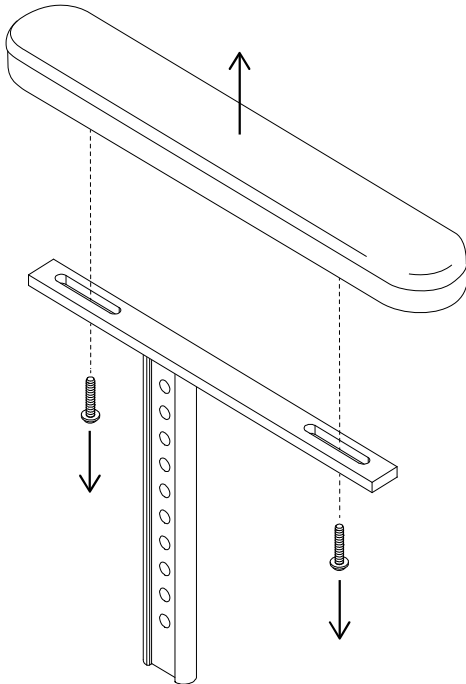


AS120

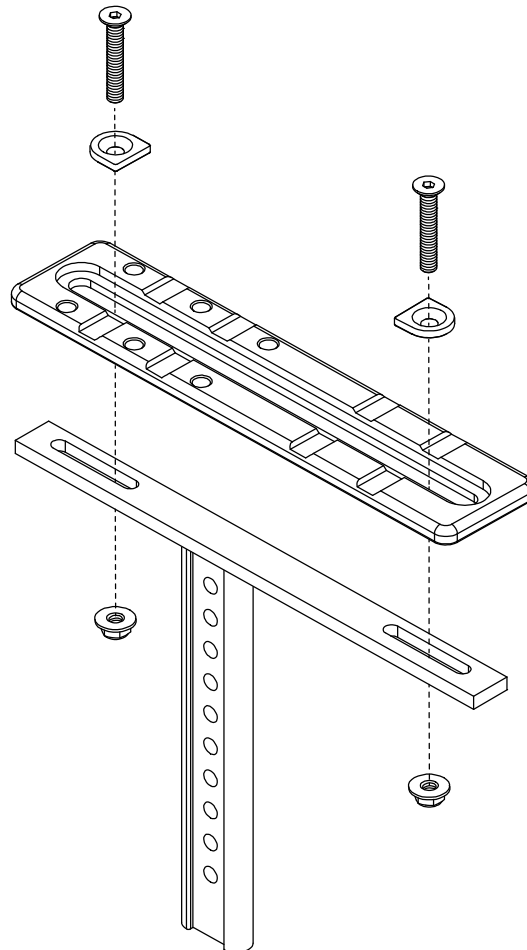


 M6x20m		 M6x35mm	 M5x35mm
		 M6	 M5
	 X4	 M6	 M5
 10mm	 8mm	 4mm	 3mm

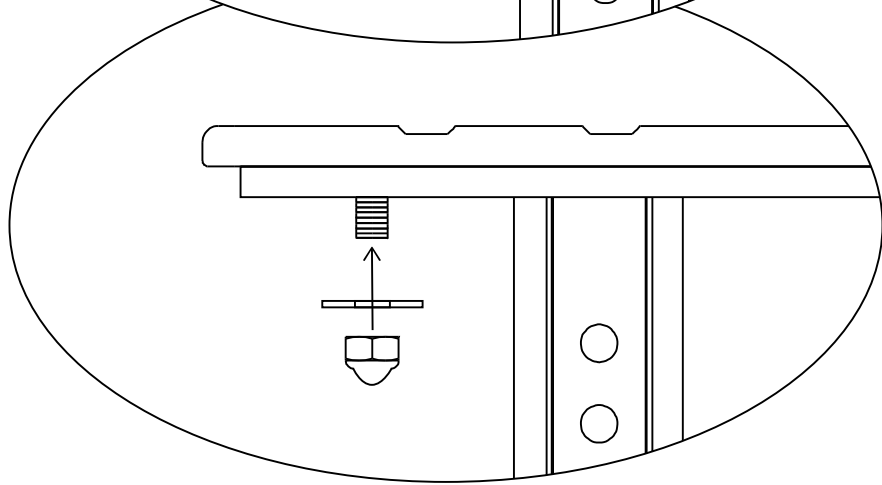
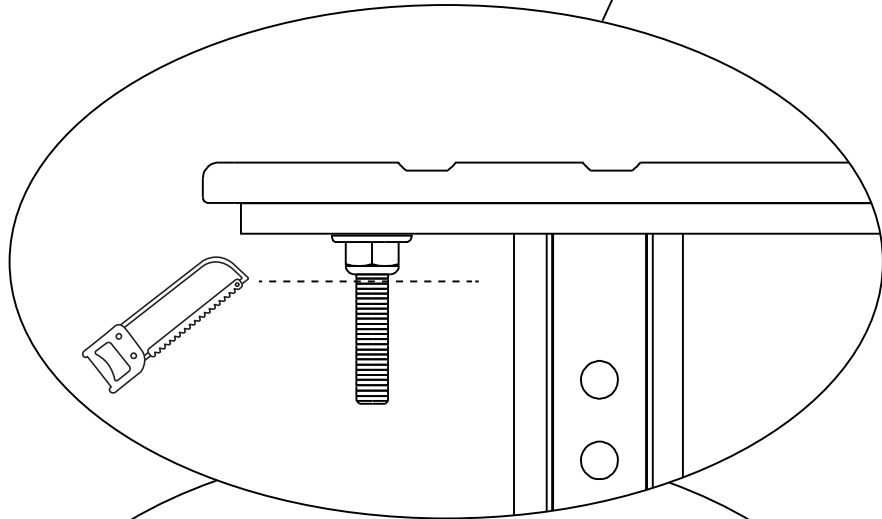
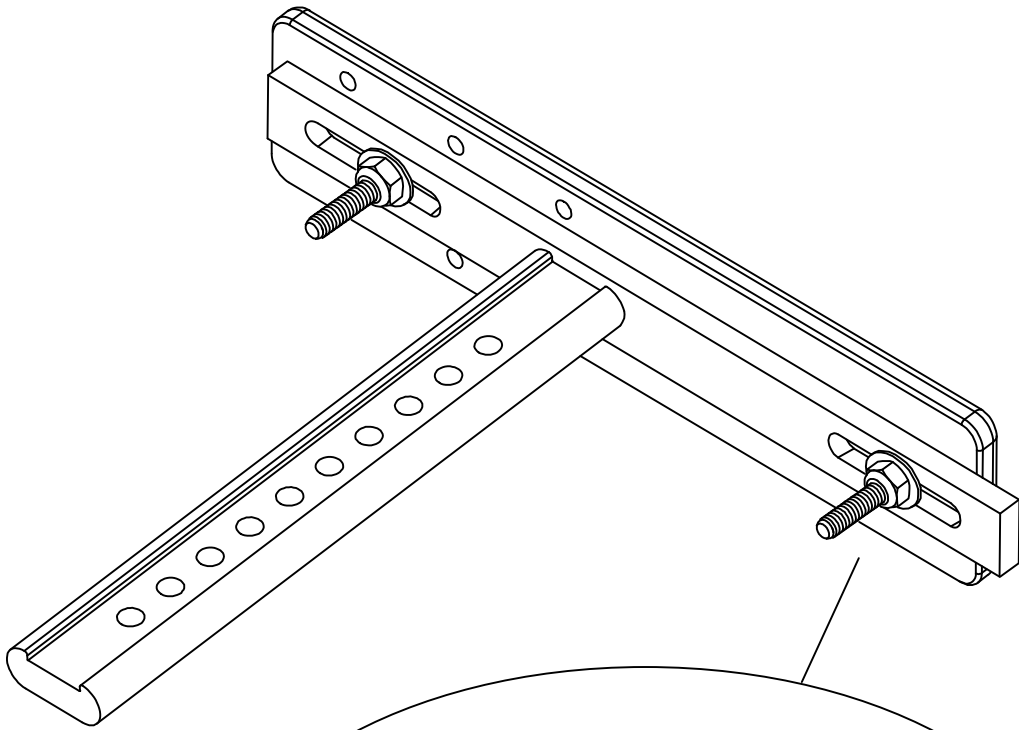
1



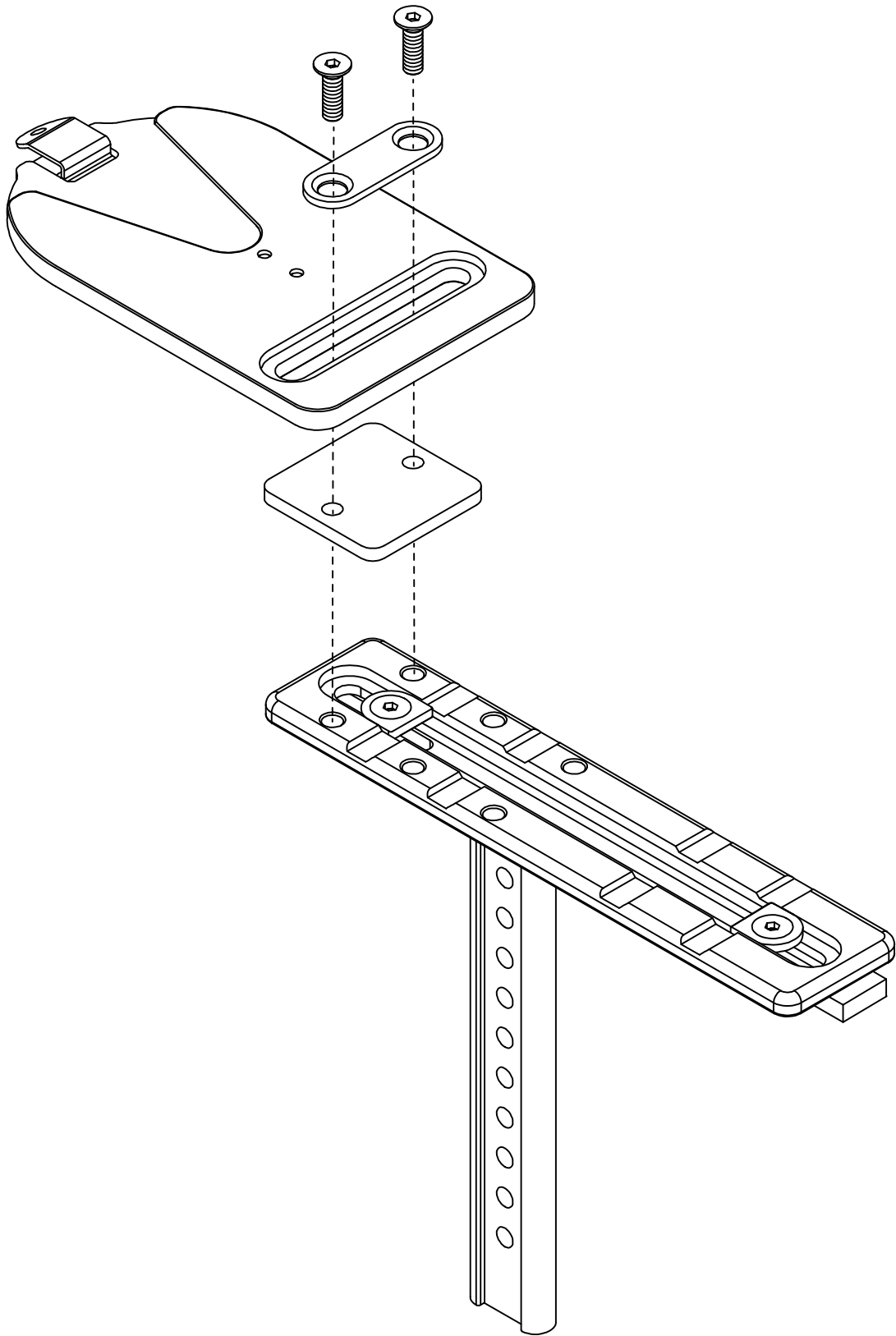
2

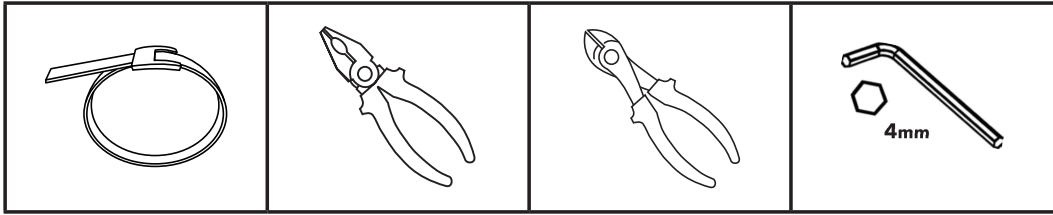


3

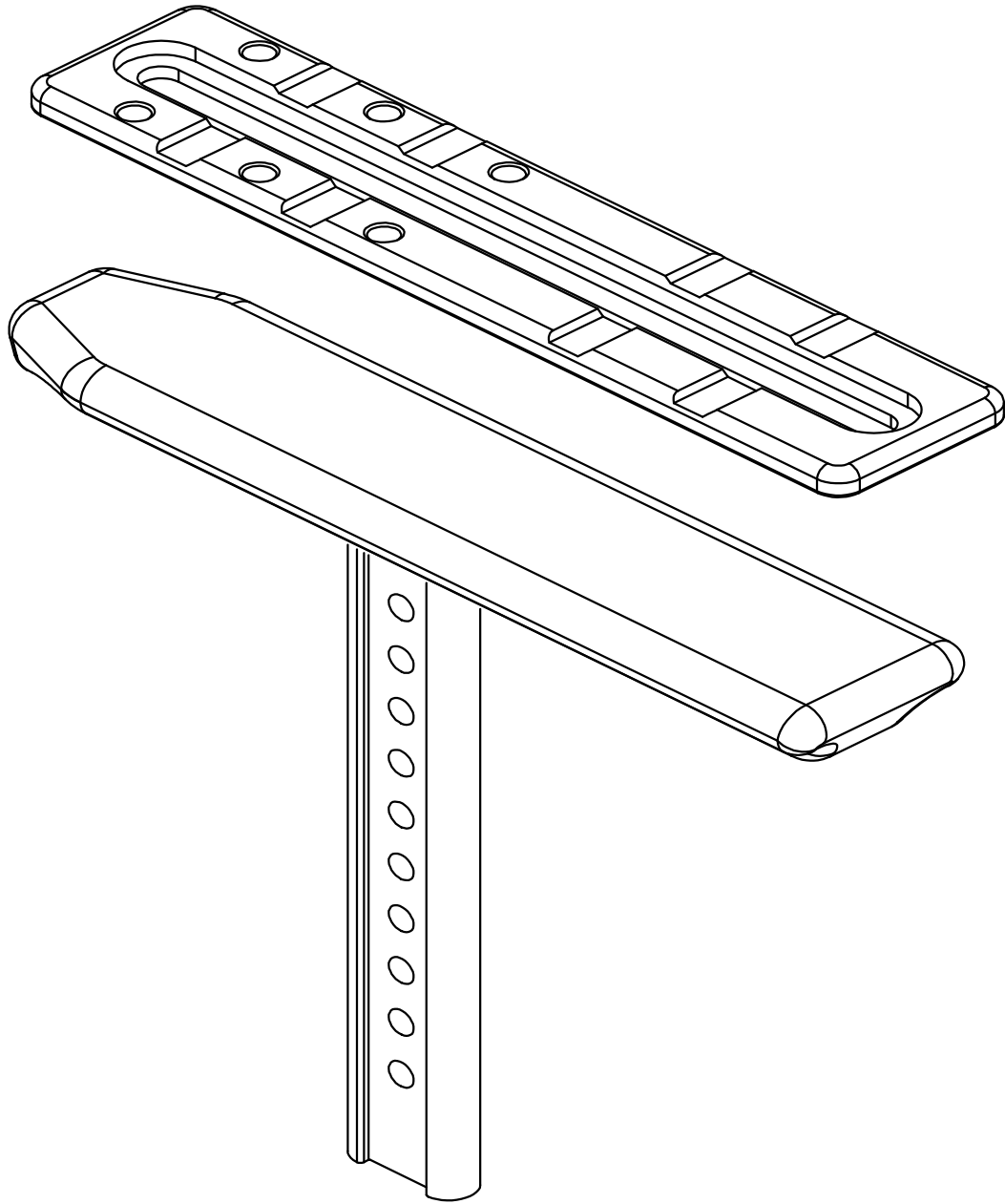


4

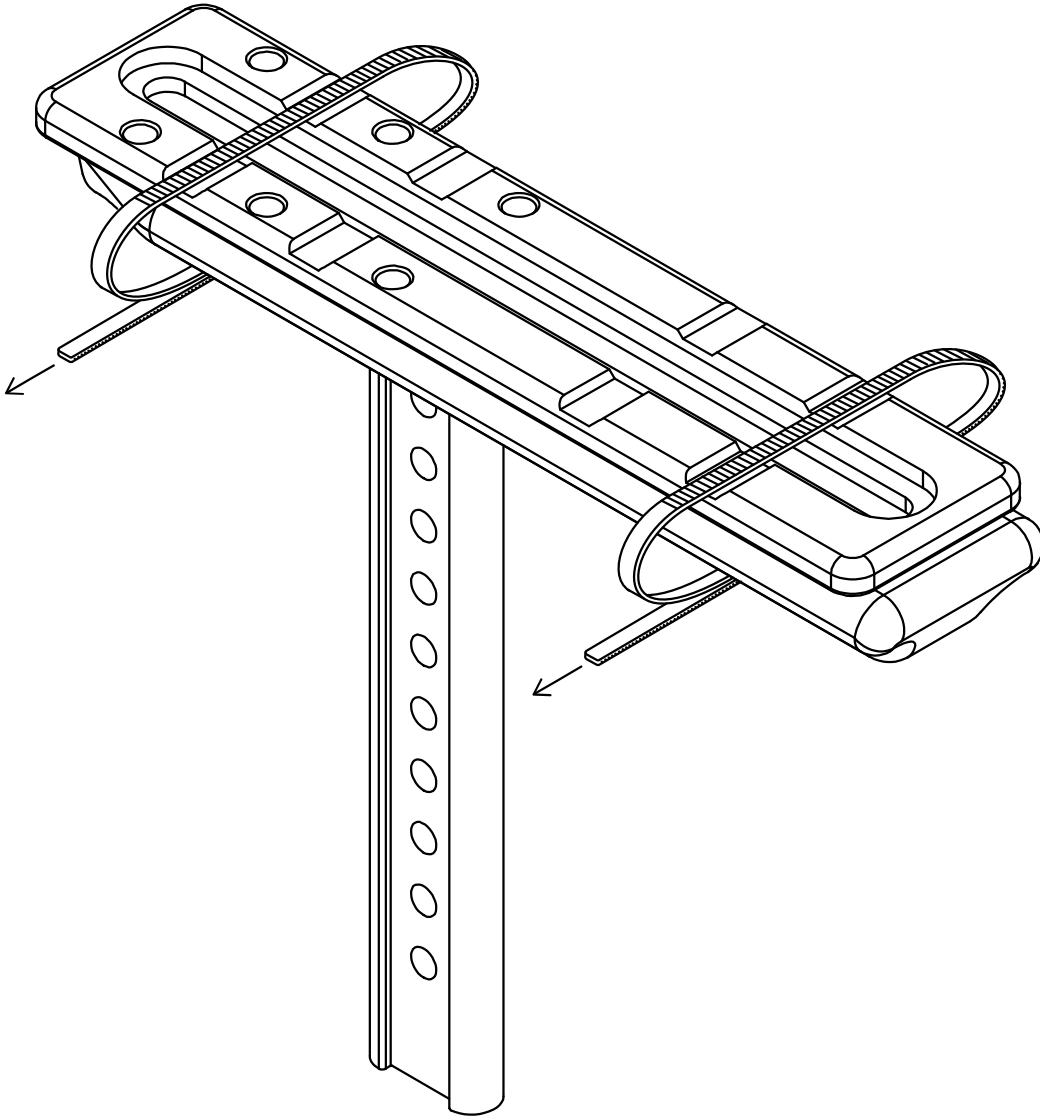




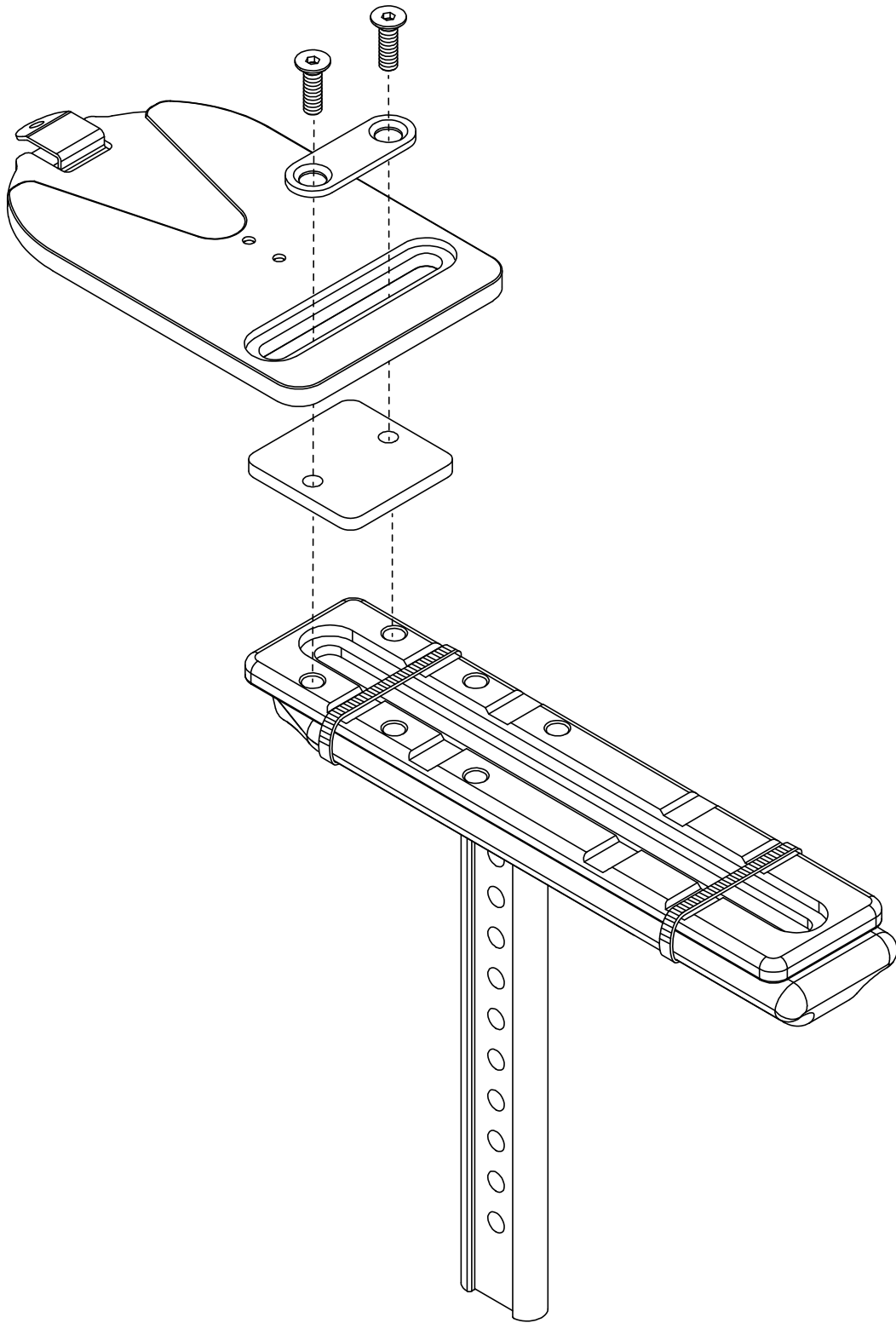
1



2



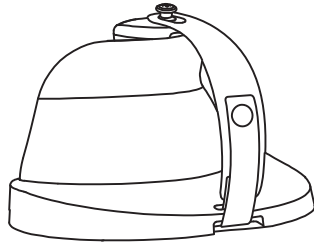
3



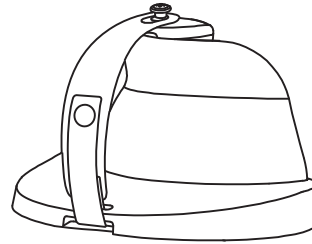
dynamisk armstøtte

INNHOOLD I PAKKEN

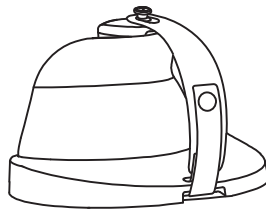
ART NOS.: AS001



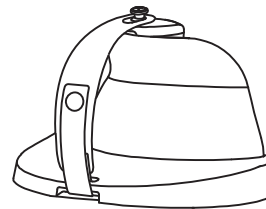
AS116L



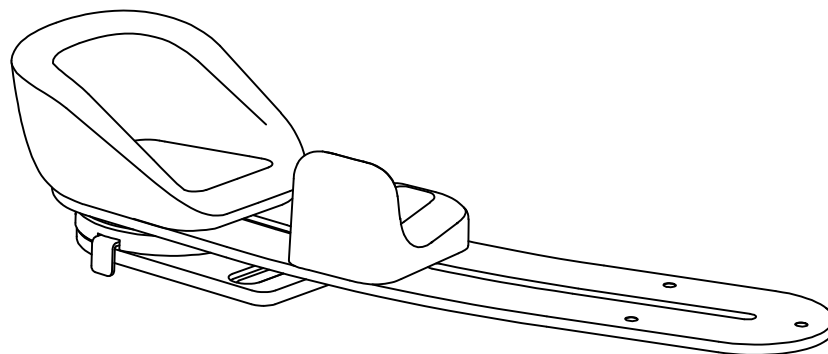
AS116R



AS115L



AS115R



AS200R



BP Bodypoint®

558 1st Avenue South
Suite 300
Seattle, WA 98104, USA

EC REP

Bodypoint Europe BV
Kerkstraat 29
7396 PG Terwolde, NL

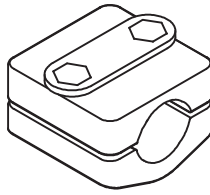


206.405.4555
800.547.5715



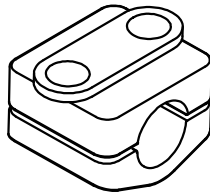
www.bodypoint.com





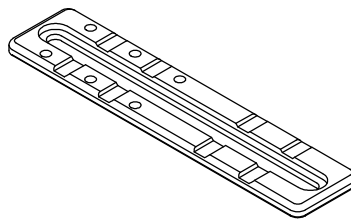
AS118

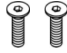

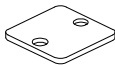

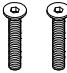
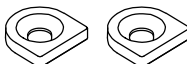



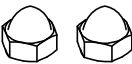


Ø22/25mm [7/8"/1"]



AS119

Ø19mm [3/4"]



 M6x20mm			 M5x35mm
 M6x35mm			 M5
 M6	 M5	 M6	 X4

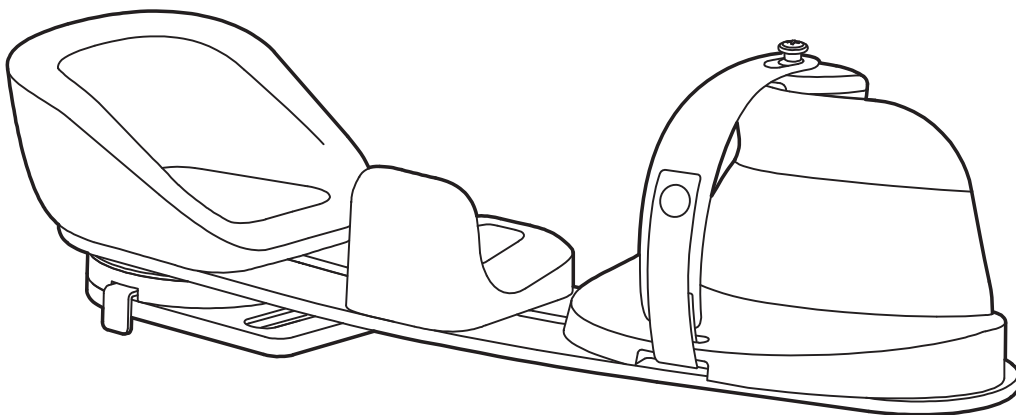
AS120

dynamisk armstøtte

ARTIKKELNR.: AS201L, AS201R, AS202L, AS202R, AS200L, AS200R

MONTERING OG BRUKERINSTRUKSJONER

Disse instruksjonene inneholder viktig informasjon om trygg bruk og vedlikehold av Bodypoint® armstøtter. Gi disse instruksjonene til brukeren eller deres forsørger, og gå gjennom dem for å sikre at de er forstått.



TILTENKT BRUK:

dynamisk armstøtte er en dynamisk mobil støtte for albue, underarm og hånd som festes til en manuell eller elektrisk rullestol. Den gir støtte til øvre kroppsdel, funksjonell dynamisk bevegelsesfrihet i skulderen og en innovativ og fleksibel håndstøtte som fremmer håndfunksjonene og bidrar til å minimere fleksortone og sammentrekninger.

Dette produktet inneholder modulbaserte komponenter som kan justeres for en tilpasset ortopedisk passform. En omdreiningmekanisme gjør at brukeren kan bruke skulderen med funksjonell og dynamisk bevegelsesfrihet. Den fleksible håndstøtten bidrar til å posisjonere håndleddet, hånden og fingrene nøytralt og minimere fleksortone og sammentrekninger.

Dette produktet er utviklet for montering på en rekke ulike rullestolmodeller med høydejusterbare armstøtter, og kan enkelt fjernes for flytting ved hjelp av hurtigfrigjøringsfunksjonen. For å sikre det beste kliniske utfallet bør brukere rådføre seg med kvalifisert helsepersonell før produktet brukes.



BP Bodypoint®

558 1st Avenue South
Suite 300
Seattle, WA 98104, USA



Bodypoint Europe BV
Kerkstraat 29
7396 PG Terwolde, NL



206.405.4555
800.547.5715



www.bodypoint.com



⚠ADVARSEL! Dette produktet må monteres og tilpasses av en kvalifisert rehabiliteringstekniker.

⚠ADVARSEL! Dette produktet må bare brukes for posisjonering av en persons armer i en rullestol. Feil bruk av produktet er ikke tillatt og ikke trygt.

⚠ADVARSEL! Brukerens arm må posisjoneres riktig i armstøtten. En feiljustert armstøtte kan føre til at brukerens arm faller ut, noe som kan føre til at skulderen går ut av ledd eller at håndens fleksortone forverres. Be en terapeut eller tekniker demonstrere riktig justering og bruk.

⚠ADVARSEL! Hvis brukerens fysiske eller kognitive evner forhindrer dem fra sikker bruk av produktet, må det alltid være en forsørger til stede under bruk. Sørg for at alle forsørgere vet hvordan produktet brukes på riktig måte.

⚠ADVARSEL! Dette produktet kan endre måten en person sitter på. Fortsett jevnlig aktiviteter for trykkreduksjon og kontroll av hudens integritet. Hvis det oppstår økt rødhet

i huden eller irritasjon, må bruken avsluttes og kvalifisert helsepersonell må rådføres.

⚠ADVARSEL! Brukeren må alltid overvåkes når dreieplaten låses opp for rotasjon. Dreieplaten må alltid være låst når rullestolen kjøres eller transporteres i et kjøretøy for å forhindre skade fra treff med dører eller andre hindringer nær siden av stolen.

⚠ADVARSEL! Ved montering må det kontrolleres at armstøtten er trygt låst inn i adapterplaten for hurtigutløsning. Installatøren skal høre en tydelig klikkelyd.

⚠ADVARSEL! Hvis det oppstår en alvorlig hendelse knyttet til bruken av dette produktet, må det rapporteres til fabrikanten (Bodypoint, Inc.) og lokal kompetent myndighet.

⚠ADVARSEL! On turvallisempaa siirtyä pyöriä tuolistanne valmistajan asentamalle ajoneuvon istuimelle ja käyttää ajoneuvon törmäystestattua matkustajan liikkumisen eston järjestelmää. Mikäli ei käytetä asianmukaista liikkumisen eston järjestelmää ajoneuvossa, seurauksena voi olla vakava henkilövahinko tai kuolema.

JEVNLIGE SIKKERHETS- OG YTELSESKONTROLLER:

For å sikre brukerens sikkerhet må produktet jevnlig kontrolleres for riktig funksjon og tegn på slitasje. Hvis produktet ikke fungerer på riktig måte eller om betydelig slitasje oppdages på delene må bruken stanses, og leverandøren må kontaktes for kvalifisert reparasjon eller utskiftning fra Bodypoint®. Dette produktet må ikke under noen omstendighet endres eller repareres av ukvalifisert personell.

RENGJØRING:

Dette produktet kan rengjøres ved å tørke av med desinfeksjonsmiddel eller en klut dyppet i varmt vann og såpe. Tørk av med et håndkle eller lufttørk. Mildt desinfeksjonsmiddel kan brukes på overflaten. Håndstroppen kan rengjøres i maskin på 60 °C (140 °F). Blekemiddel må ikke brukes. Tørk i tørketrommel på lav temperatur eller heng til tork. Må ikke strykes.

AVHENDING:

Dette produktet er laget av materialer som trygt kan avhendes uten spesielle forholdsregler når brukstiden utløper.

GARANTI:

Dette produktet har en begrenset livstidsgaranti mot produksjonsdefekter og materialdefekter som oppstår under vanlig bruk av den opprinnelige forbrukeren. Kontakt leverandøren eller Bodypoint® for garantikrav. For mer informasjon om produkter fra Bodypoint® og informasjon om distributører utenfor USA kan du gå til www.bodypoint.com.

NØDVENDIGE VERKTØY

4 mm sekskantnøkkel

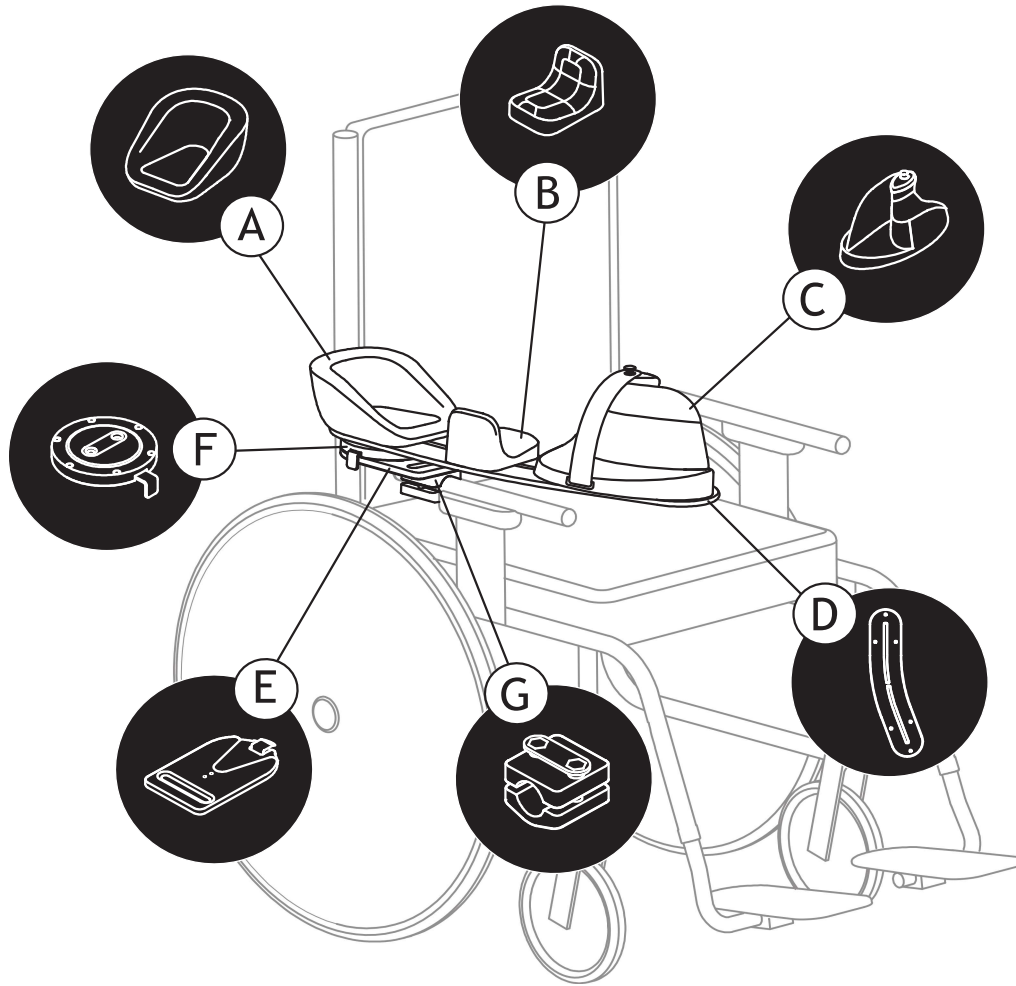
3 mm sekskantnøkkel

For valgfri finjustering av hurtigutløsningskroken



INNHold I PAKKEN

A	B	C	D	E	F
Albuepute	Underarms- pute	Håndblokk og -stropp	Baseplate	Adapterplate for hurtigut- løsning	Dreieplate

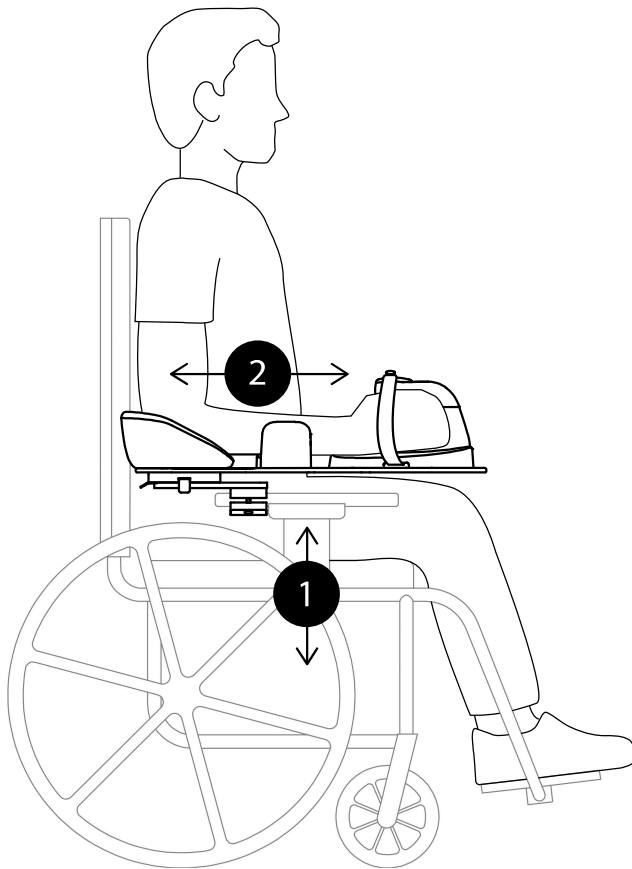


MONTERINGSDELER

VALGFRI KLEMME ELLER PLATE SELGES SEPARAT
MONTERINGSKLEMME FOR ARMSTØTTEN VISES OVENFOR

G	H
<p>Monteringsklemmer for armstøtte</p> <p>Kompatibel med Ø19 mm [3/4"] eller Ø22/25 mm [7/8"/1"] rundrør for armstøtten</p>	<p>Monteringsplate for armstøtte</p> <p>Kompatibel med flate armstøtter</p>

POSISJONERING AV ARMSTØTTE FOR BRUKEREN



1. Høyde

Det anbefales bruk av en høydejusterbar armstøtte for optimal posisjonering.

Juster høyden på armstøtten for å støtte albuen for jevn trykkdistribusjon mot armen uten å løfte skulderen.

2. Dybde

Løsne skruene som er plassert på monteringsdelene for armstøtten for å justere armstøtten fremover eller bakover.

Skryv armstøtten fremover eller bakover for å sette armstøtten i riktig posisjon.

For mer informasjon, se:
«Ytterligere finjustering
av dreieplaten, ytterligere
dybdejusteringer».

3. Sideveis

Løsne skruene som fester adapterplaten for hurtigutløsning til monteringsdelene på armstøtten for å justere armstøtten nærmere eller lenger vekk fra brukeren.

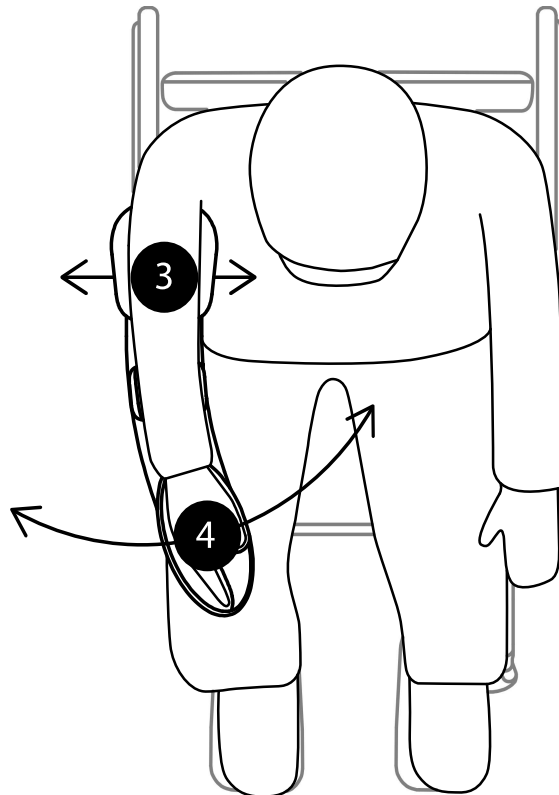
Skryv armstøtten innover eller utover og stram begge skrue igjen.

4. Vinkling

Dreieplaten tillater et forhold mellom intern og ekstern rotasjon på inntil 60°. Trekk fliken på dreieplaten ut og posisjonér armstøtten for å velge vinkel på armstøtten.

Trykk fliken på dreieplaten inn for å låse den i ønsket vinkel i trinn på 5°.

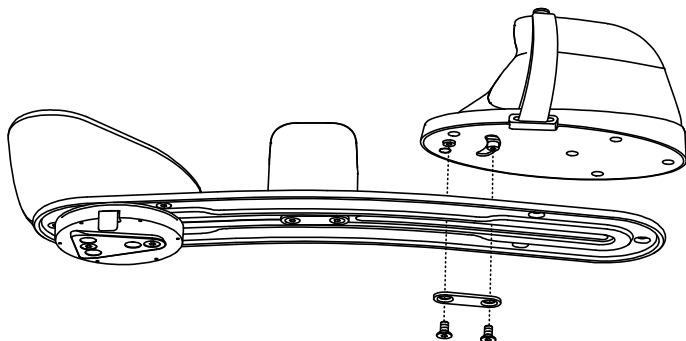
For mer informasjon, se: «Ytterligere finjustering av dreieplaten, ytterligere interne og eksterne rotasjonsgrenser».



MONTERE ARMSTØTTEN

Fjern hurtigutløsningsmottakeren fra armstøtten før montering. For mer informasjon, se: «**BRUKE ADAPTERPLATEN FOR HURTIGUTLØSNING**».

1. Monter hurtigutløsningsmottakeren på rullestolens armstøtte ved hjelp av monteringsdeler for armstøtten, som er tilleggsutstyr. Stram monterings-skruene delvis for å kunne justere. Se instruksjonene som medfølger monteringsdelene som er tilleggsutstyr for mer informasjon.

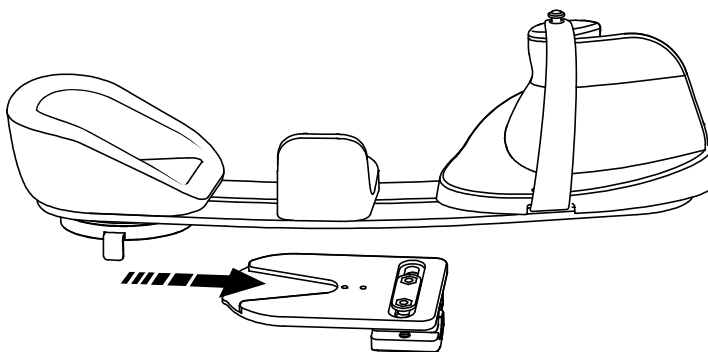


2. Monter håndblokken til baseplaten ved hjelp av skiven og de medfølgende M6-skruene (2).

Merk: Ikke stram skruene helt før de endelige justeringene og tilpasningene til brukeren er gjort.

3. Skyv armstøtten inn i adapterplaten for hurtigutløsningen - hurtigutløsningskroken vil låses med et hørbart «klikk!»

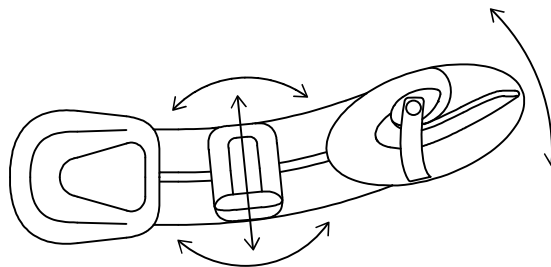
Merk: Hurtigutløsningskroken kan justeres for å fjerne slark ved å løsne M5-skruene (2) nederst ved hjelp av en 3 mm sekskantnøkkel. Trykk hurtigutløsningskroken tett mot den bakre kanten av hurtigutløsningskilen mens skruene strammes for å feste den på plass.



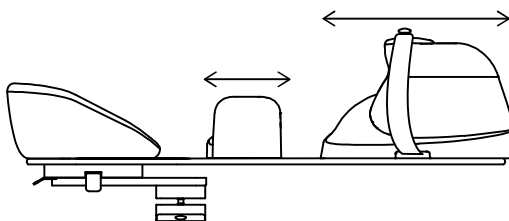
JUSTERE UNDERARMSPUTEN OG HÅNDBLOKKEN

Start med å posisjonere brukerens albue i albueputen.

Løsne M6-skruene (2) og skyv håndblokken langs baseplaten for å justere håndblokken og forhindre at brukerens underarm beveges. Stram den bakre skruen til den er stram, og juster deretter vinkelen på håndblokken fra 0-30° for å posisjonere hånden og håndleddet riktig. Stram begge skruer godt for å sikre håndblokken på plass.



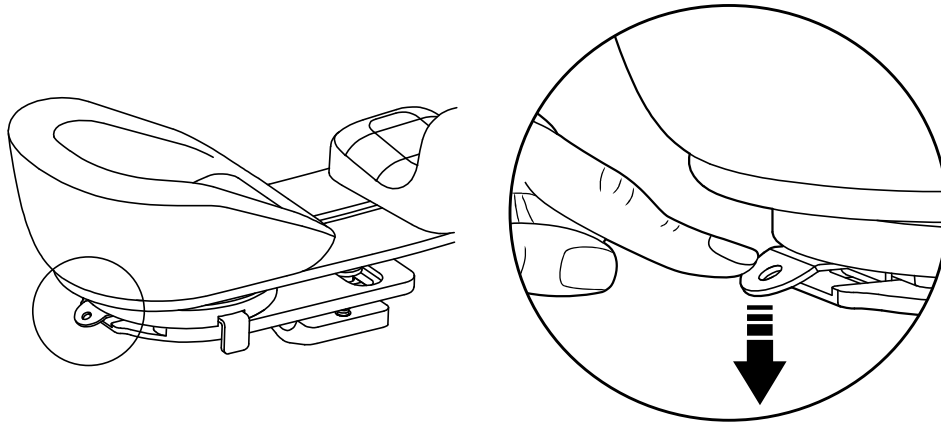
Løsne M6-skruene (2) og skyv underarmsputen langs baseplaten for å justere underarmsputen og feste brukerens arm bak håndleddet. Den kan justeres inn eller ut, roteres eller monteres på nytt i motsatt retning for å støtte eller begrense armbevegelser. Stram skruene på nytt.



BRUK AV ADAPTERPLATEN FOR HURTIGUTLØSNING

Trykk ned på hurtigutløsningskroken for å låse den opp før fjerning.

For å montere den på nytt, skyv armstøtten inn i hurtigutløsningsmottakeren inntil den festes med et hørbart «klikk!»

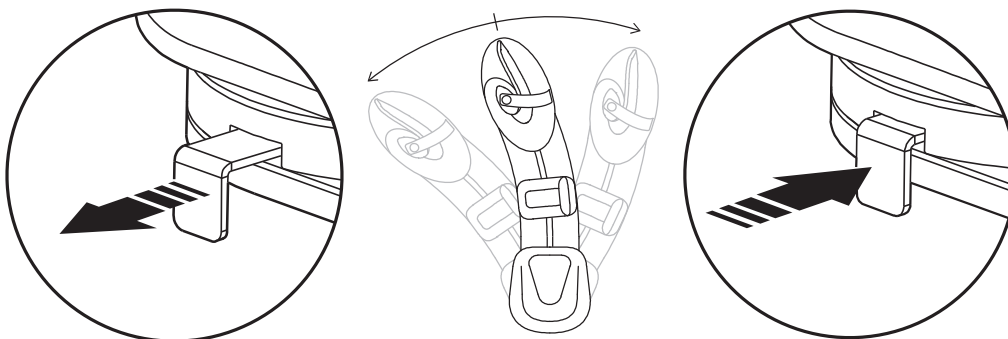


LÅSE /LÅSE OPP DREIEPLATEN

Armstøtten kan låses opp for å tillate dynamiske bevegelser, eller låses for å bevare en fast armposisjon.

Trekk fliken på dreieplaten ut for å låse den opp. Armstøtten kan nå rotere fritt gjennom et internt intervall på 60 °.

Trykk fliken på dreieplaten inn for å låse den. Armstøtten kan låses i intervaller på 5 °.



LÅS OPP

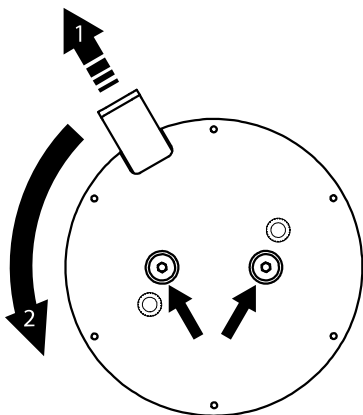
DREI

LÅS

⚠ADVARSEL! Brukeren må alltid overvåkes når dreieplaten er låst opp og kan roteres. Dreieplaten må alltid være låst når rullestolen kjøres eller transporteres i et kjøretøy for å forhindre skade fra treff med dører eller andre hindringer nær siden av stolen.

YTTERLIGERE FINJUSTERING AV DREIEPLATEN

YTTERLIGERE DYBDEJUSTERINGER



Ytterligere justeringer kan gjøres ved å repositionere dreieplaten inntil 20 mm fremover på baseplaten.

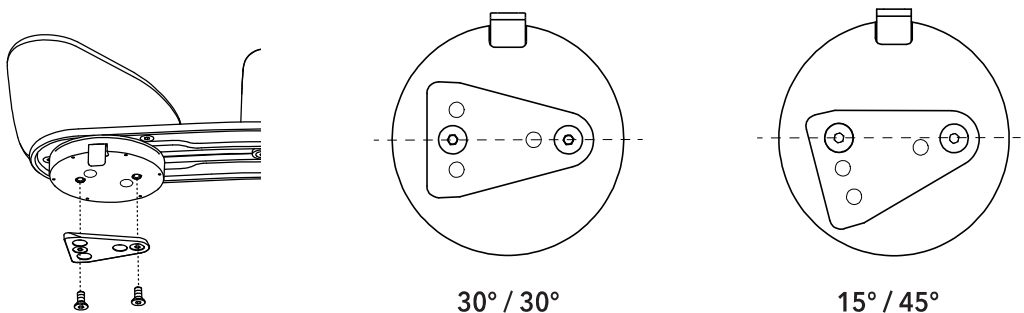
Fjern hurtigutløsningskilen for å få tilgang til monteringskruene, trekk ut fliken på dreieplaten for å låse den opp, og roter til M6-monteringskruene er synlige gjennom de to tilgangshullene.

Løsne begge skruene for å skyve dreieplaten fremover, og stram begge skruer før du fester hurtigutløsningskilen på nytt.

YTTERLIGERE INTERNE OG EKSTERNE ROTASJONGRENSER

Standardinnstillingen for dreieplaten tillater 30° intern / 30° ekstern rotasjon fra nøytral posisjon (i forhold til stolens armstøtte). Dette gir samme funksjon enten den er montert på høyre eller venstre side.

Noen brukere er i stand til større intern armrotasjon, som er mulig ved å repositionere hurtigutløsningskilen nederst på dreieplaten for å gjøre det mulig med 45° intern / 15° ekstern rotasjon.



SIKKERHETS- OG YTELSESKONTROLLER

Brukeren må sitte i rullestolen før sikkerhetskontrollen gjennomføres.

1. VANLIG BRUK

Se etter klempunkter eller løse deler.

2. KOMFORT

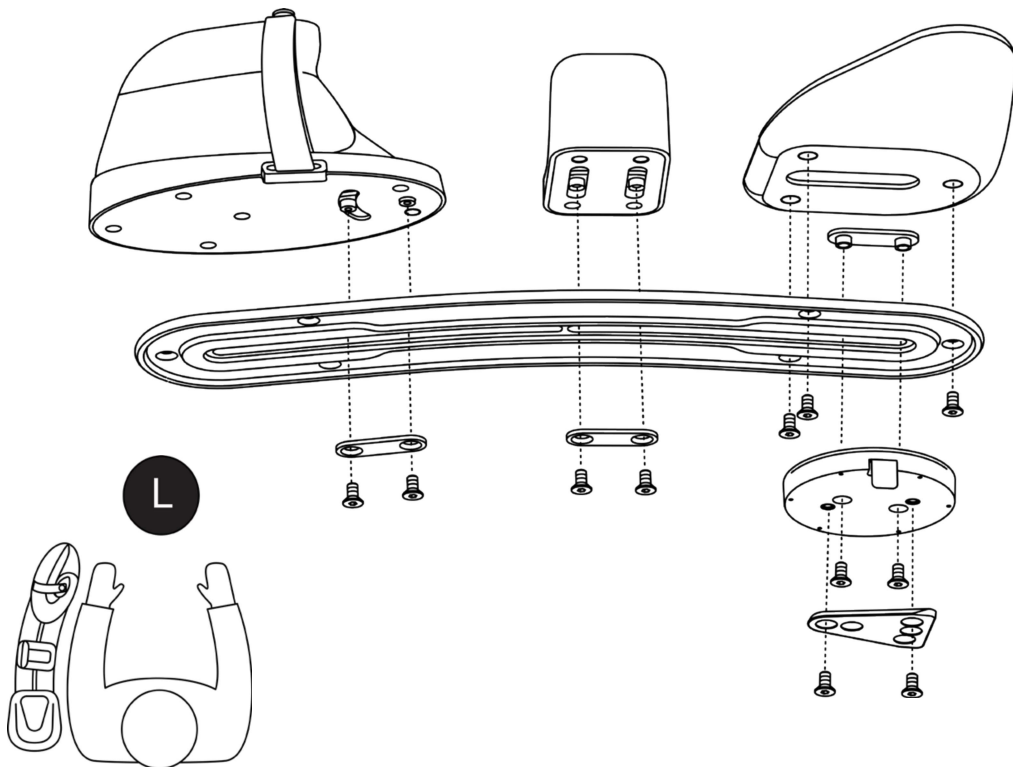
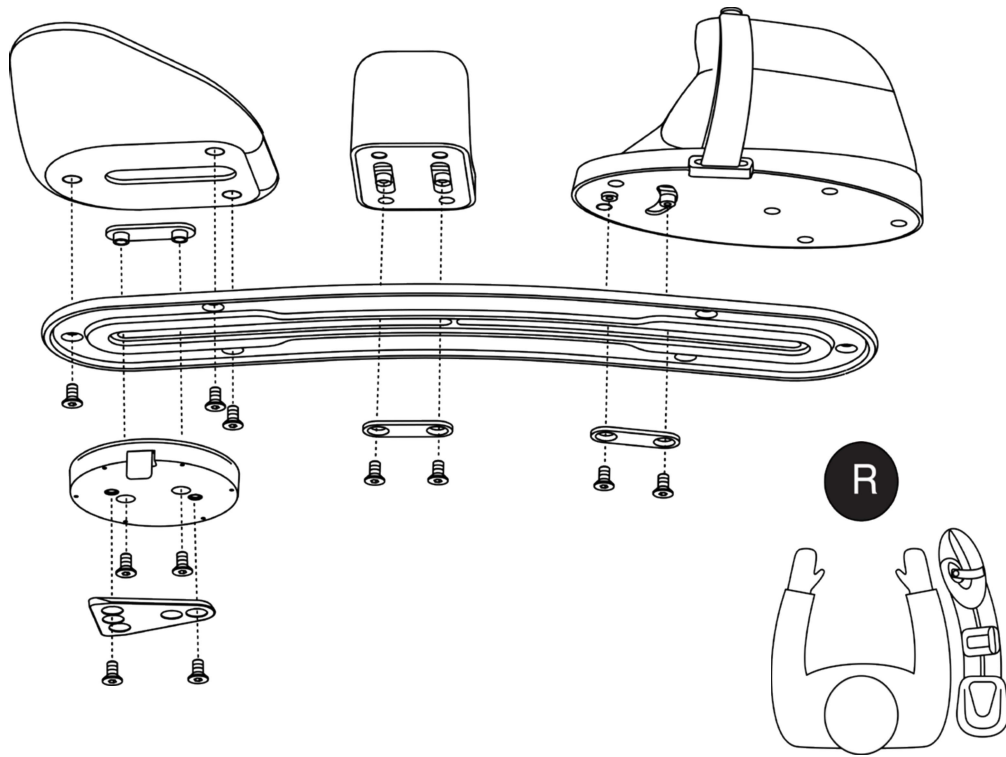
Se etter irritasjonsområder.

3. POSISJON

Bekreft riktig plassering av brukerens overkropp og skuldre.

4. YTTERLIGERE

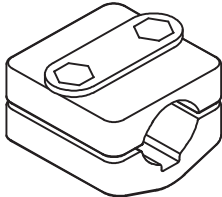
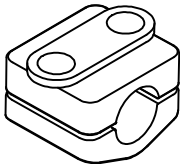
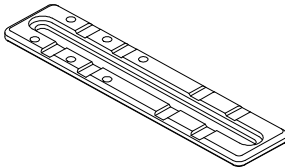
Beveg stolen gjennom alle bevegelser, inkludert vipping, bretting og rulling, og se etter interferens. Juster armstøtten om nødvendig.



dynamisk armstøtte

MONTERING: MONTERINGSDELER

ART NOS.: AS118, AS119, AS120

		
AS118	AS119	AS120
Monteringsklemmerfor armstøtte	Monteringsklemmerfor armstøtte	Monteringsplate for armstøtte
Kompatibel med Ø22/25 mm [7/8"/1"] rundrør for armstøtten	Kompatibel med Ø19 mm [3/4"] rundrør for armstøtten	Kompatibel med flate armstøtter

⚠ADVARSEL! Dette produktet må monteres og tilpasses av en kvalifisert rehabiliteringstekniker.
⚠ADVARSEL! Ved montering må det kontrolleres at armstøtten er trygt låst inn i adapterplaten for hurtigutløsning. Installatøren skal høre en tydelig klikkelyd.
⚠ADVARSEL! Hvis det oppstår en alvorlig hendelse knyttet til bruken av dette produktet, må det rapporteres til fabrikanten (Bodypoint, Inc.) og lokal kompetent myndighet.

JEVNLIGE SIKKERHETS- OG YTELSESKONTROLLER

For å sikre brukerens sikkerhet må produktet jevnlig kontrolleres for riktig funksjon og tegn på slitasje. Hvis produktet ikke fungerer på riktig måte eller om betydelig slitasje oppdages på delene må bruken stanses, og leverandøren må kontaktes for kvalifisert reparasjon eller utskiftning fra Bodypoint®. Dette produktet må ikke under noen omstendighet endres eller repareres av ukvalifisert personell.

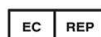
GARANTI

Dette produktet har en begrenset livstidsgaranti mot produksjonsdefekter og materialdefekter som oppstår under vanlig bruk av den opprinnelige forbrukeren. Kontakt leverandøren eller Bodypoint® for garantikrav. For mer informasjon om produkter fra Bodypoint® og informasjon om distributører utenfor USA kan du gå til www.bodypoint.com.



BP Bodypoint®

558 1st Avenue South
Suite 300
Seattle, WA 98104, USA



Bodypoint Europe BV
Kerkstraat 29
7396 PG Terwolde, NL



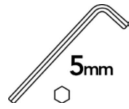
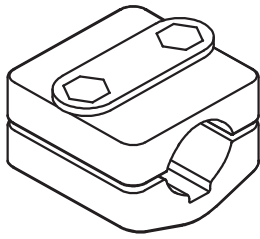
206.405.4555
800.547.5715



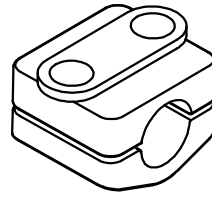
www.bodypoint.com



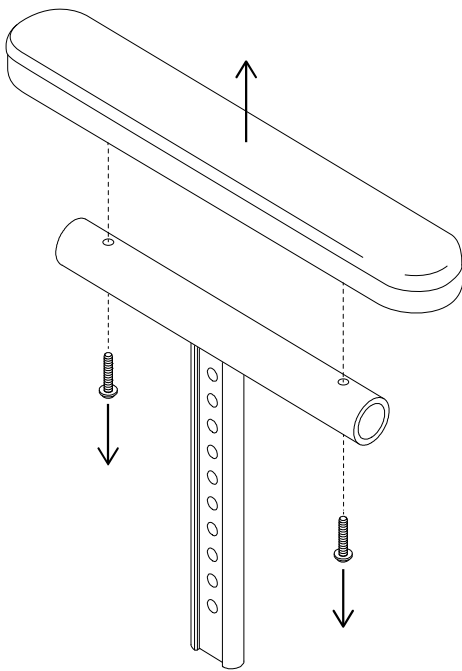
AS118



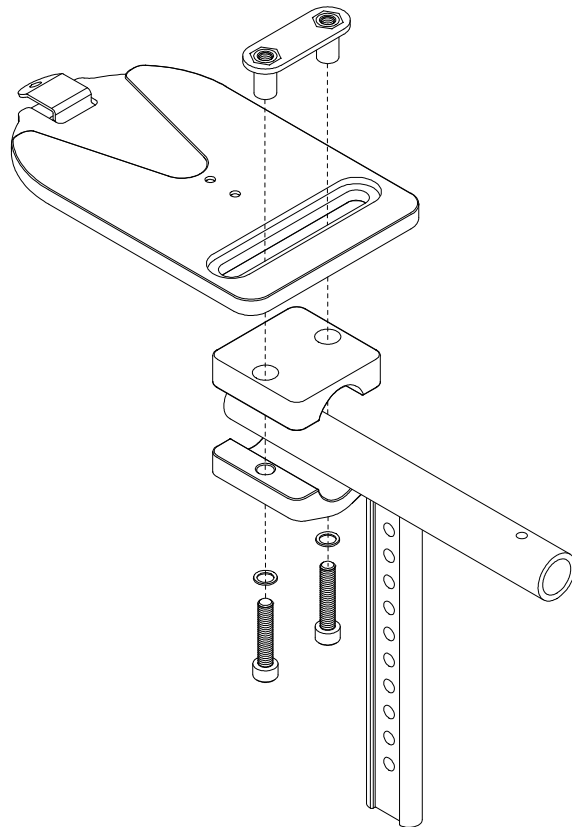
AS119



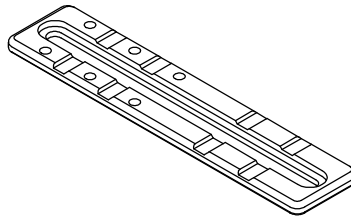
1


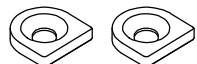
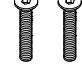
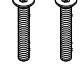
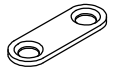

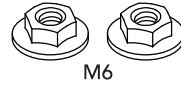
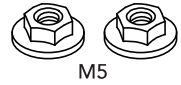
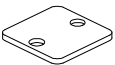






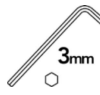


2

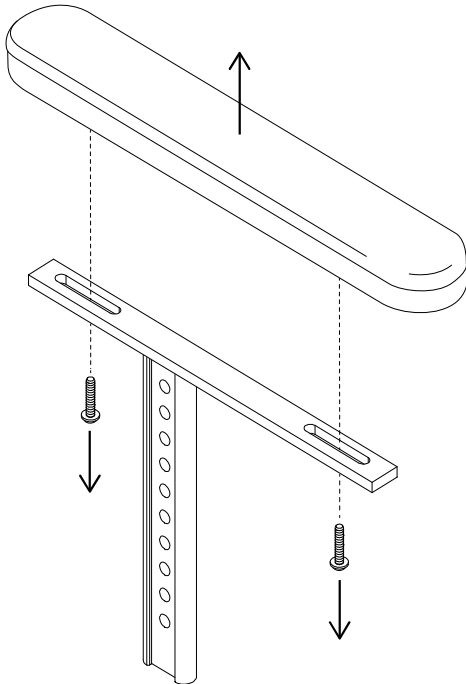


AS120

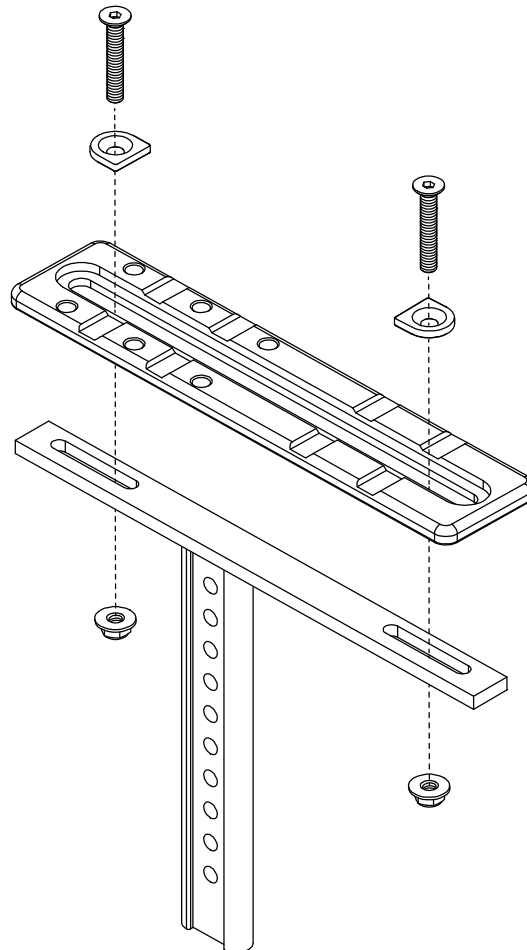


 M6x20m		 M6x35mm	 M5x35mm
		 M6	 M5
	 X4	 M6	 M5
 10mm	 8mm	 4mm	 3mm

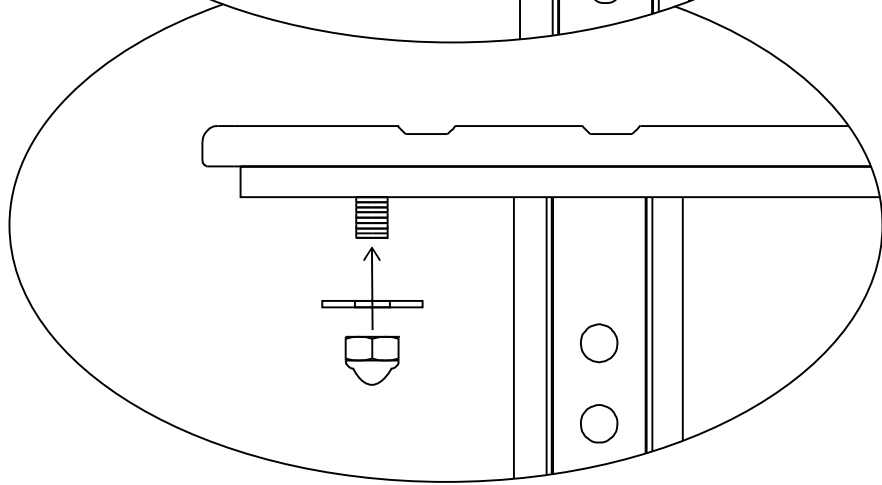
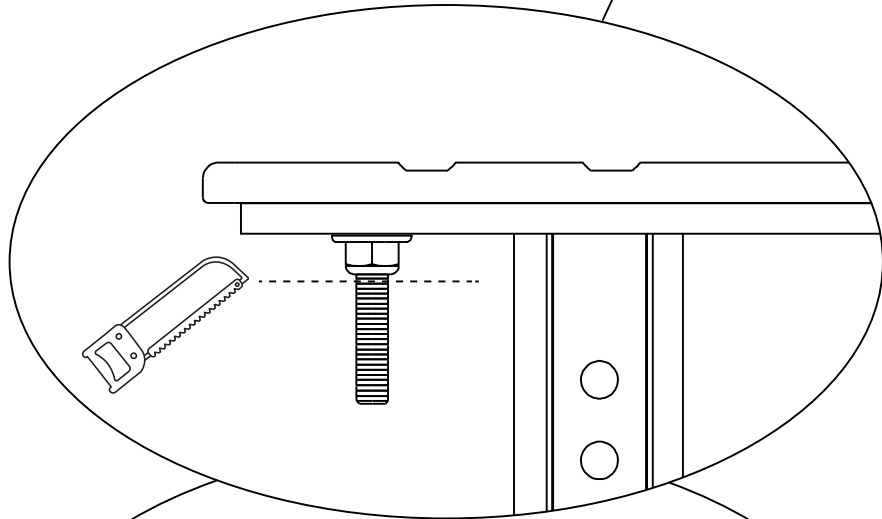
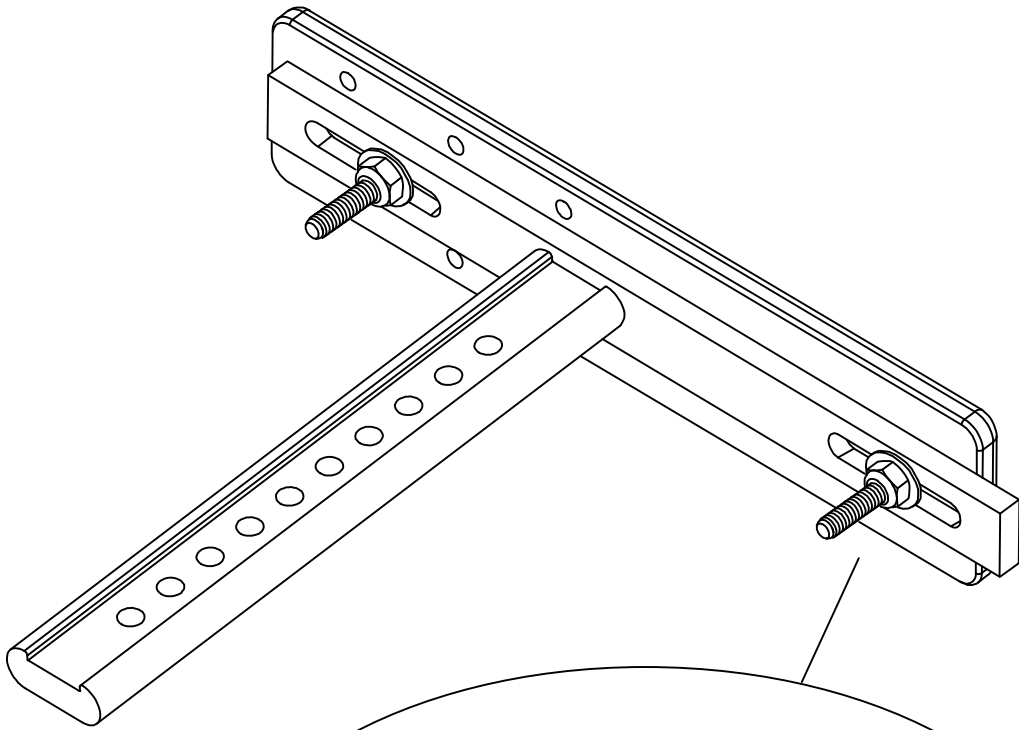
1



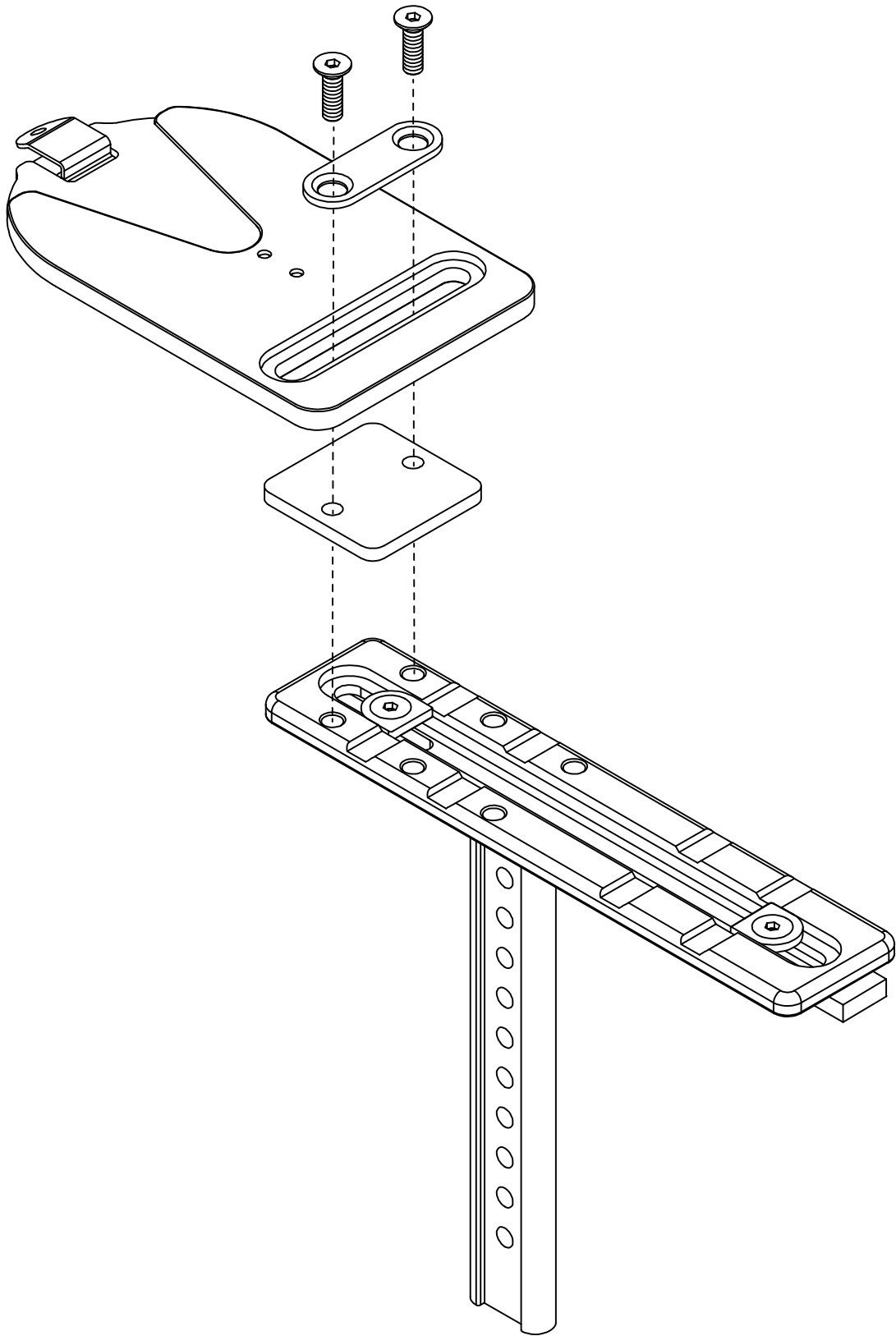
2

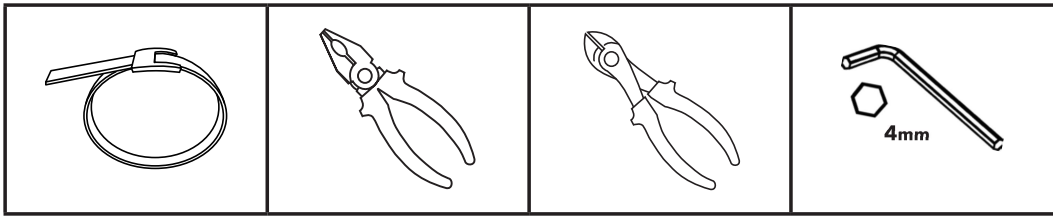


3

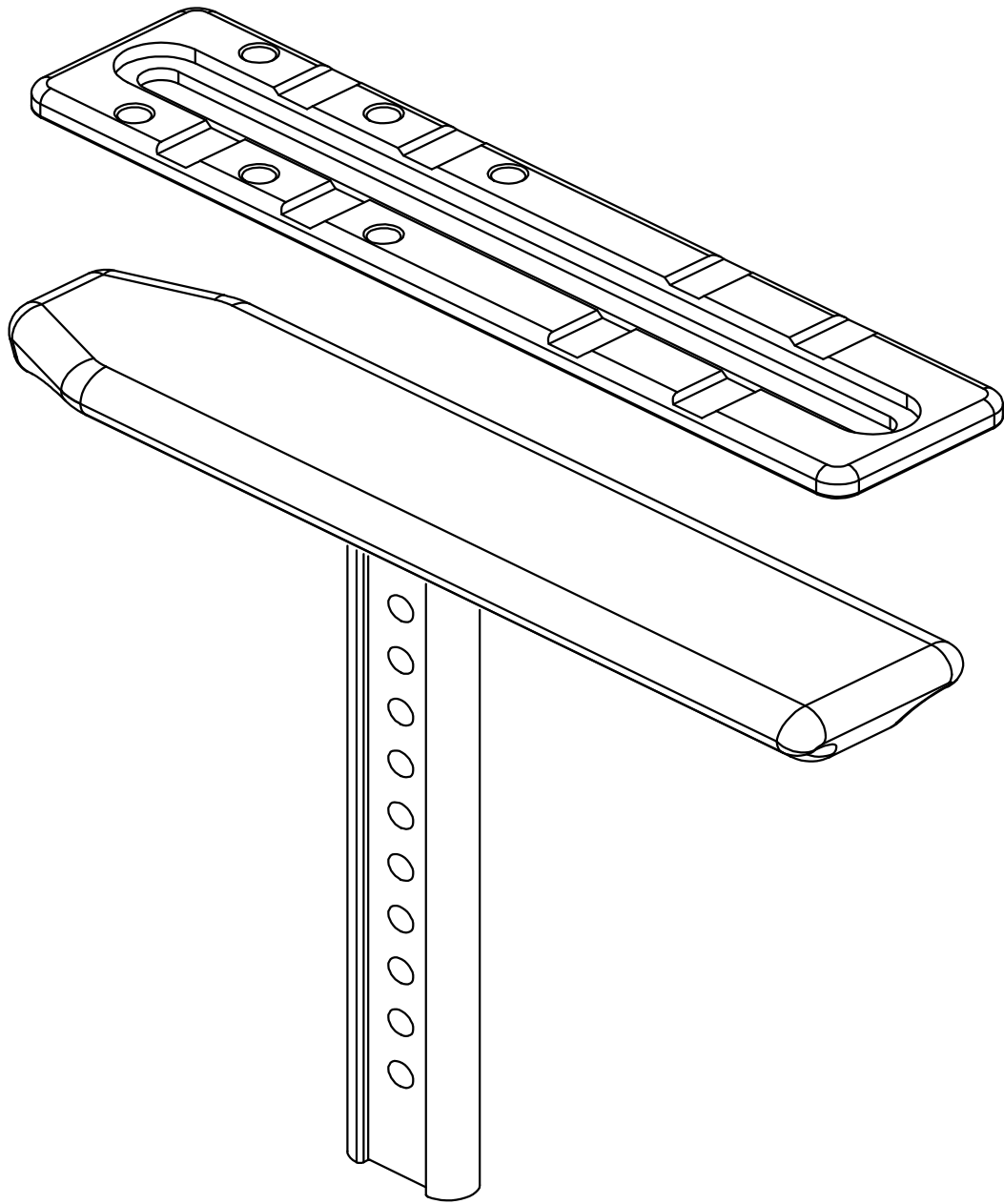


4

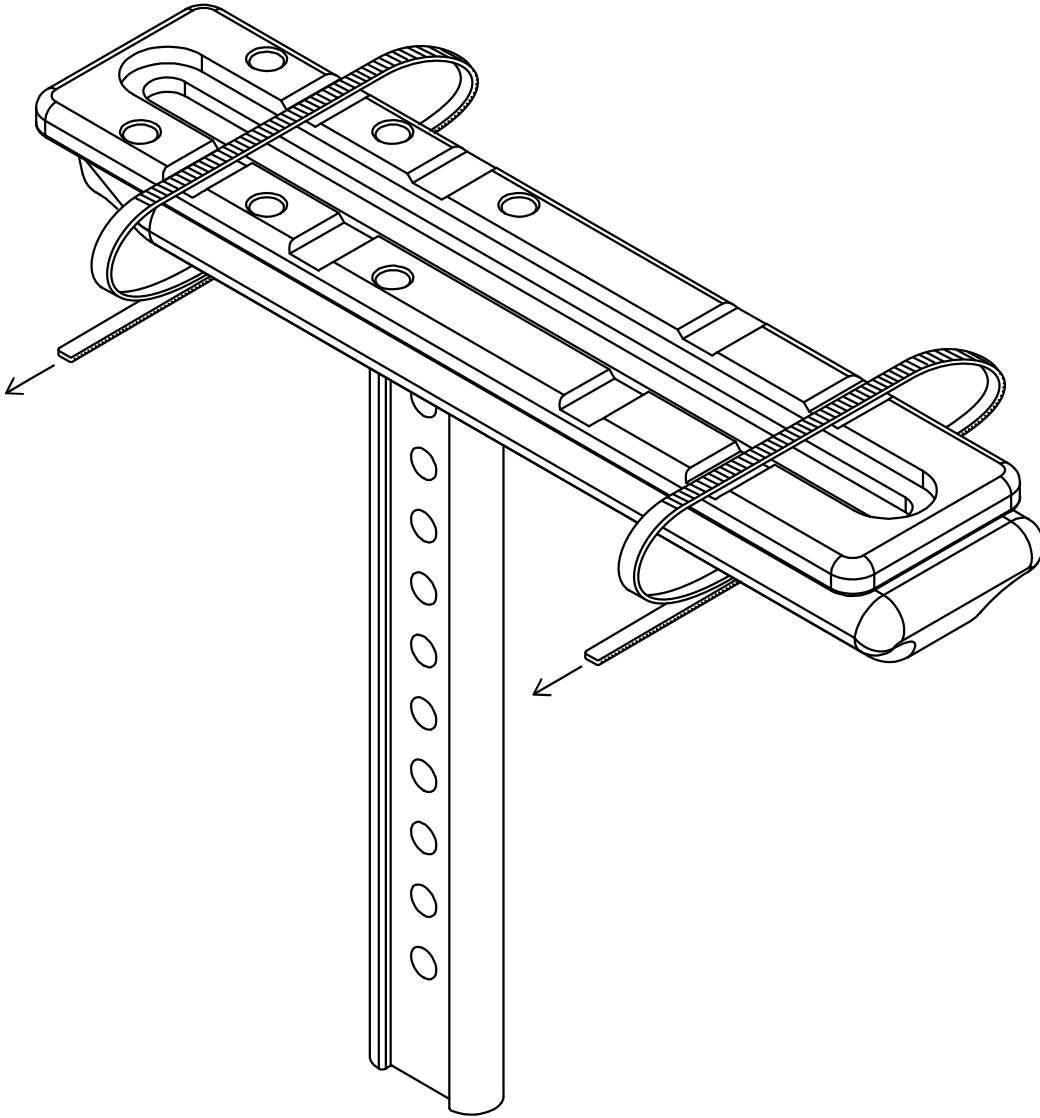




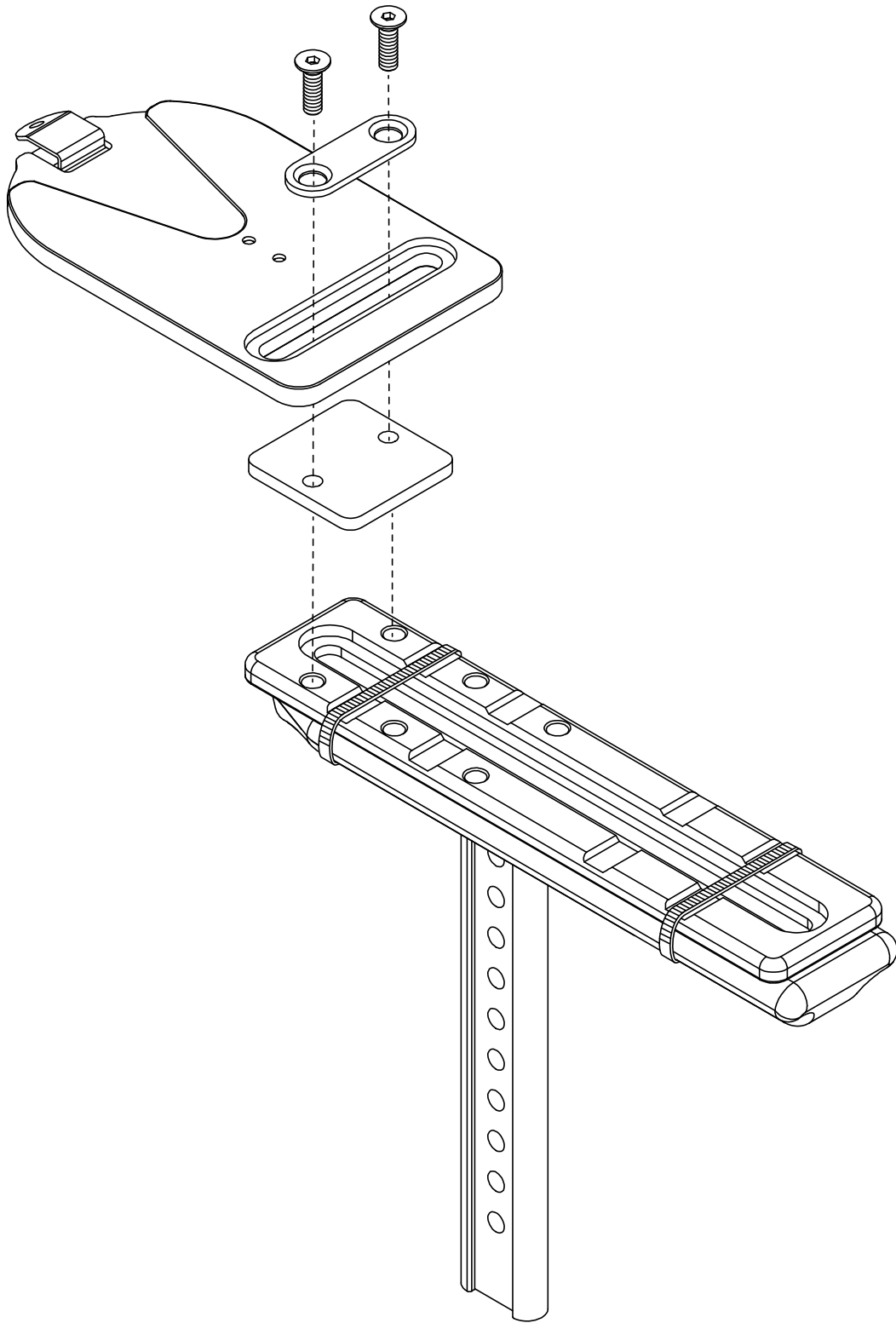
1



2



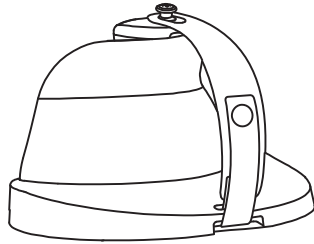
3



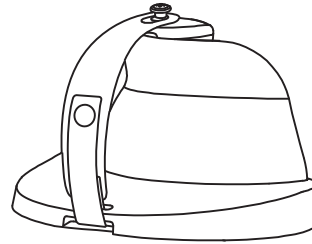
Suporte de Braço dinâmico

CONTEÚDO DA EMBALAGEM

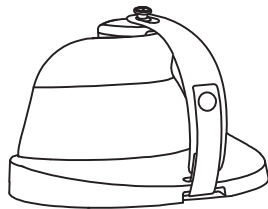
ART NOS.: AS001



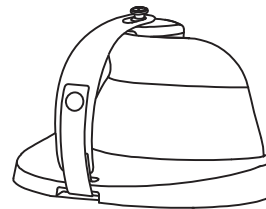
AS116L



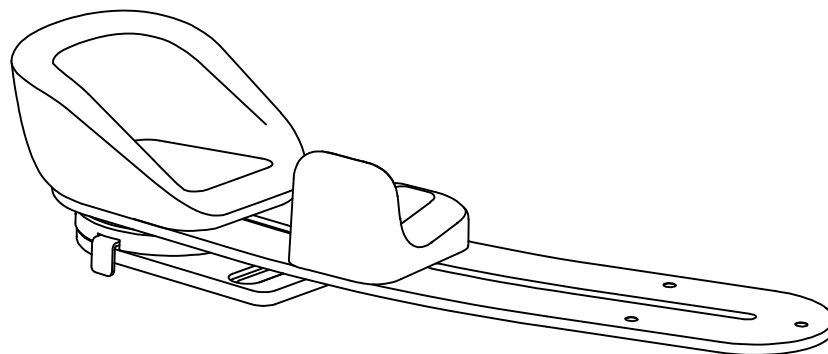
AS116R



AS115L



AS115R



AS200R

 **Bodypoint**
558 1st Avenue South
Suite 300
Seattle, WA 98104, USA

EC REP

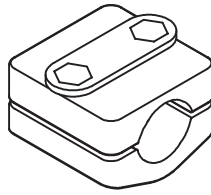
Bodypoint Europe BV
Kerkstraat 29
7396 PG Terwolde, NL

CE 206.405.4555
800.547.5715



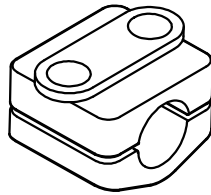
www.bodypoint.com

MD



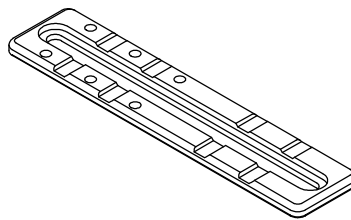
AS118



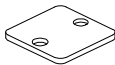
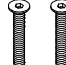
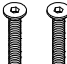
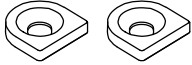






Ø22/25mm [7/8"/1"]



AS119

Ø19mm [3/4"]



 M6x20mm			 M5x35mm
 M6x35mm			 M5
 M6	 M5	 M6	 X4

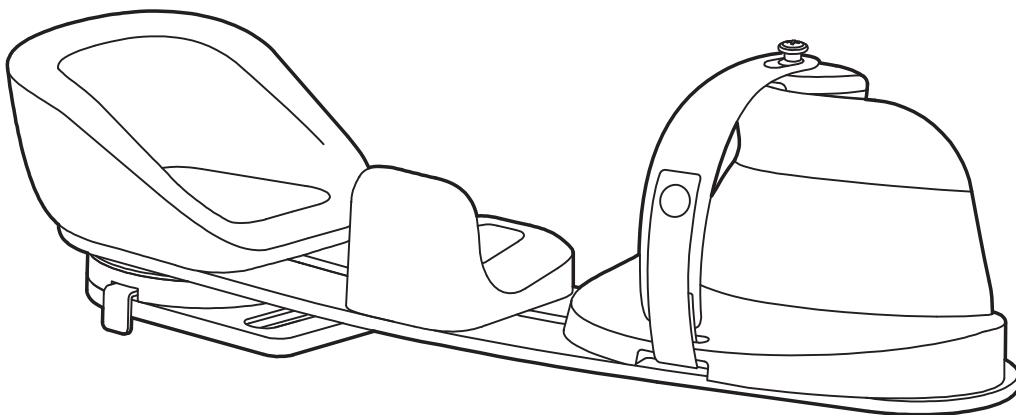
AS120

Suporte de Braço dinâmico

ART NOS.: AS201L, AS201R, AS202L, AS202R, AS200L, AS200R

INSTALAÇÃO E INSTRUÇÕES DO UTILIZADOR

Estas instruções fornecem informações importantes para a utilização e manutenção seguras dos Suportes de Braço Bodypoint®. Dê estas instruções ao utilizador ou ao seu prestador de cuidados e reveja-as para garantir que são compreendidas.



UTILIZAÇÃO PREVISTA:

O Suporte de Braço dinâmico é um suporte dinâmico e móvel para o cotovelo, antebraço e mão que se fixa a uma cadeira de rodas manual ou elétrica. Confere suporte às extremidades superiores, uma amplitude de movimento dinâmica funcional no ombro e um suporte de mão inovador e flexível que promove a função das mãos e ajuda a minimizar o tônus flexor e as contraturas.

Este produto inclui componentes modulares que podem ser ajustados para um ajuste ortótico personalizado. Um mecanismo de articulação permite aos utilizadores exercitar o ombro numa amplitude de movimento funcional e dinâmica. O suporte flexível para as mãos ajuda a posicionar o pulso, as mãos e os dedos em alinhamento neutro e minimiza o tônus flexor e as contraturas.

Este produto foi concebido para ser montado numa variedade de modelos de cadeiras de rodas com apoios de braços ajustáveis em termos de altura e pode ser facilmente removido para transferências utilizando a função de libertação rápida. Para garantir o melhor resultado clínico, os utilizadores devem consultar um profissional de saúde qualificado antes de utilizarem o produto.



BP Bodypoint®

558 1st Avenue South
Suite 300
Seattle, WA 98104, USA

EC REP

Bodypoint Europe BV
Kerkstraat 29
7396 PG Terwolde, NL



206.405.4555
800.547.5715



www.bodypoint.com



⚠AVISO! Este produto deve ser instalado e colocado por um técnico de reabilitação qualificado.

⚠AVISO! Este produto só deve ser utilizado para posicionar os braços de uma pessoa numa cadeira de rodas. A utilização indevida deste produto não é autorizada e não é segura.

⚠AVISO! O braço do utilizador tem de ser posicionado corretamente no Suporte de Braço. Um Suporte de Braço ajustado incorretamente pode fazer com que o braço do utilizador deslize e desloque o ombro ou piore o tónus flexor da mão. Peça ao seu terapeuta ou técnico que demonstre o respetivo ajuste e utilização adequados.

⚠AVISO! Se as capacidades físicas ou cognitivas do utilizador o impedirem de operar este produto em segurança, deve estar sempre presente um prestador de cuidados durante a sua utilização. Certifique-se de que todos os prestadores de cuidados sabem como operar corretamente o produto.

⚠AVISO! Este produto pode alterar a forma como uma pessoa se senta. Continue a praticar atividades regulares de alívio de pressão e verificações da integridade da pele. Se ocorrer um aumento da vermelhidão

ou irritação da pele, interrompa a utilização e consulte o seu profissional de saúde qualificado.

⚠AVISO! Monitorize sempre o utilizador quando a Placa de Articulação estiver desbloqueada para ser rodada. A Placa de Articulação deve ser sempre bloqueada ao conduzir a cadeira de rodas ou transportá-la num veículo para evitar danos ou lesões que possam resultar de bater em portas ou outros obstáculos perto do lado da cadeira.

⚠AVISO! Ao montar, verifique se o Suporte de Braço está bloqueado de forma segura na Placa do Adaptador de Libertação Rápida. O instalador deve ouvir um som de "estalido".

⚠AVISO! Se ocorrer um incidente grave relacionado com a utilização deste produto, este deve ser comunicado ao fabricante (Bodypoint, Inc.) e à Autoridade Competente local.

⚠AVISO! É mais seguro transferir-se da sua cadeira de rodas para um banco do veículo instalado pelo fabricante, e utilizar o sistema de retenção do ocupante testado em colisões do veículo. A falha na utilização do equipamento adequado para retenção num veículo pode resultar em lesões graves ou morte.

VERIFICAÇÕES PERIÓDICAS DE SEGURANÇA E DESEMPENHO:

Para garantir a segurança do utilizador, este produto deve ser verificado periodicamente quanto ao funcionamento e sinais de desgaste. Se o produto não funcionar corretamente ou se se verificar um desgaste significativo nas peças, interrompa a sua utilização e contacte o seu fornecedor para reparação ou substituição qualificada pela Bodypoint®. Este produto não deve, em circunstância alguma, ser alterado ou reparado por pessoas não qualificadas.

LIMPEZA:

Este produto pode ser limpo com desinfetante ou um pano embebido em água morna e sabão. Seque com uma toalha ou ao ar. Pode ser aplicado um desinfetante suave na superfície. Para limpar a correia para as mãos, lave à máquina, com água quente, a 60 °C (140 °F). Não utilize lixívia. Seque na máquina, a baixa temperatura ou pendure para secar. Não passe a ferro.

SUCATA/ELIMINAÇÃO:

Este produto é composto por materiais que podem ser eliminados em segurança sem precauções especiais no final da sua vida útil.

GARANTIA:

Este produto possui uma garantia vitalícia limitada contra defeitos de fabrico e materiais decorrentes da utilização normal pelo consumidor original. Contacte o seu fornecedor ou a Bodypoint® para reclamações de garantia. Para obter mais informações sobre os produtos Bodypoint® e informações sobre distribuidores fora dos EUA, visite www.bodypoint.com.

FERRAMENTAS NECESSÁRIAS

Chave sextavada de 4 mm



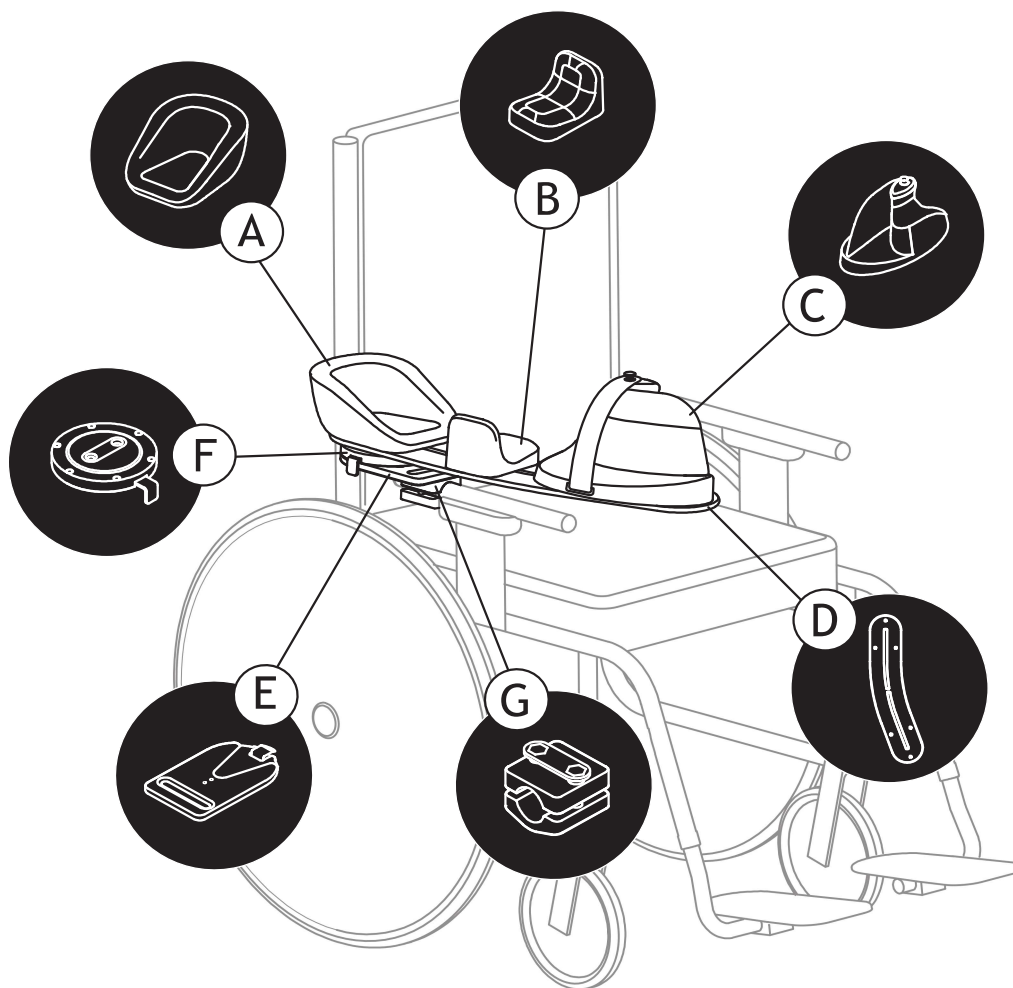
Chave sextavada de 3 mm

Para ajuste fino opcional do fecho de libertação rápida



CONTEÚDO DA EMBALAGEM

A	B	C	D	E	F
Cotovelo Almofada	Antebraço Almofada	Bloqueio da mão e correia	Placa Base	Placa adaptadora de liberação rápida	Placa Articulação

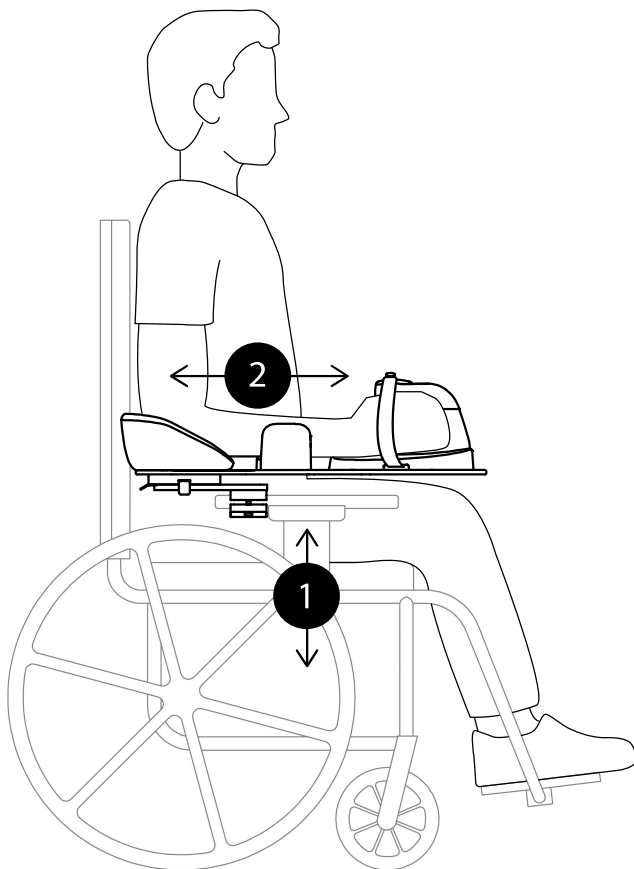


HARDWARE DE MONTAGEM

GRAMPO OU PLACA OPCIONAL VENDIDO SEPARADAMENTE
GRAMPO DE MONTAGEM DO SUPORTE DE BRAÇO APRESENTADOS ACIMA

G	H
<p>Suporte de Braço Grampos de montagem</p> <p>Compatível com Tubos Redondos de Suporte de Braço de Ø19 mm [3/4 pol.] ou Ø22/25 mm [7/8 pol./1 pol.]</p>	<p>Suporte de Braço Placa de montagem</p> <p>Compatível com suportes de braço planos</p>

POSICIONAMENTO DO SUPORTE DE BRAÇO PARA O UTILIZADOR



1. Altura

Recomenda-se a utilização de um Suporte de Braço ajustável em altura para um posicionamento ideal.

Ajuste a altura do Suporte de Braço para apoiar o cotovelo para uma distribuição uniforme da pressão do braço, sem levantar o ombro.

2. Profundidade

Para ajustar o Suporte de Braço para a frente ou para trás, desaperte os parafusos localizados no hardware de montagem do Suporte de Braço.

Faça deslizar o Suporte de Braço para a frente ou para trás no apoio de braço da cadeira para a posição correta.

Para mais informações, consulte: "AFINAÇÃO ADICIONAL DA PLACA DE ARTICULAÇÃO: OUTROS AJUSTES DE PROFUNDIDADE."

3. Lateral

Para ajustar o Suporte de Braço para mais perto ou mais afastado do utilizador, desaperte os parafusos que fixam a placa adaptadora de libertação rápida ao hardware de montagem do Suporte de Braço.

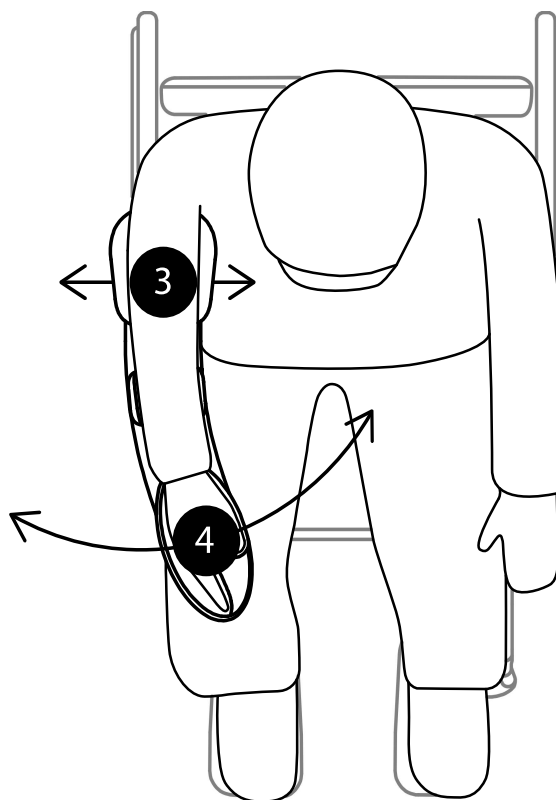
Faça deslizar o Suporte de Braço para dentro ou para fora e volte a apertar ambos os parafusos com segurança.

4. Ângulo

A Placa Dinâmica permite uma amplitude de 60° de rotação interna para externa. Para escolher o ângulo do Suporte de Braço, puxe para fora a patilha da Placa Dinâmica e posicione o Suporte de Braço.

Empurre a patilha da placa de articulação para dentro para bloquear no ângulo desejado em incrementos de 5°.

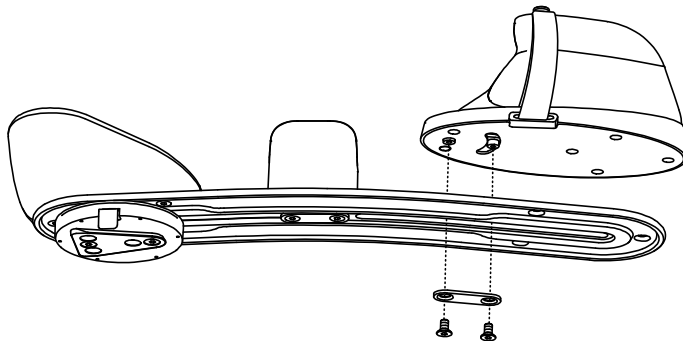
Para mais informações, consulte: "AFINAÇÃO ADICIONAL DA PLACA DE ARTICULAÇÃO: LIMITES DE ROTAÇÃO INTERNA E EXTERNA ADICIONAIS."



INSTALAR O SUPORTE DE BRAÇO

Antes da instalação, remova o recetor de libertação rápida do Suporte de Braço. Para mais informações, consulte: "UTILIZANDO A PLACA ADAPTADORA DE LIBERTAÇÃO RÁPIDA."

1. Monte o recetor de libertação rápida no Suporte de Braço da cadeira de rodas utilizando o hardware de montagem do Suporte de Braço opcional. Aperte parcialmente os parafusos de montagem para permitir o ajuste. Consulte as instruções incluídas com o hardware de montagem opcional para obter mais informações.

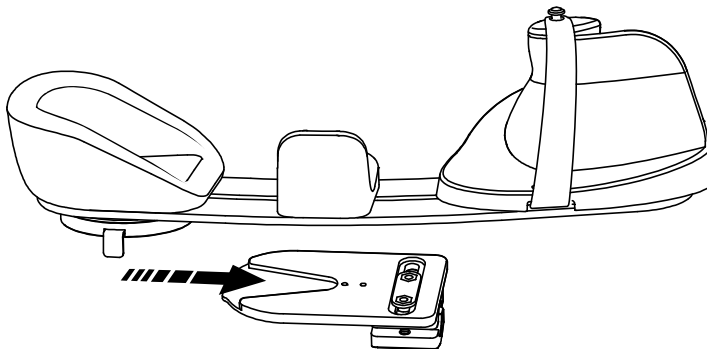


2. Monte o bloco de mão na placa de base utilizando a placa de anilha e os parafusos M6 incluídos (2).

Nota: Não aperte totalmente os parafusos até que os ajustes finais tenham sido efetuados para se ajustar ao utilizador.

3. Faça deslizar o Suporte de Braço para dentro da placa adaptadora de libertação rápida – o fecho de libertação rápida deve trancar-se com um estalido audível!

Nota: O fecho de libertação rápida pode ser ajustado para remover qualquer folga, desapertando os parafusos M5 (2) na parte inferior utilizando uma chave sextavada de 3 mm. Empurre o fecho de libertação rápida firmemente contra a extremidade traseira da cunha de libertação rápida enquanto aperta novamente os parafusos para o fixar no lugar.

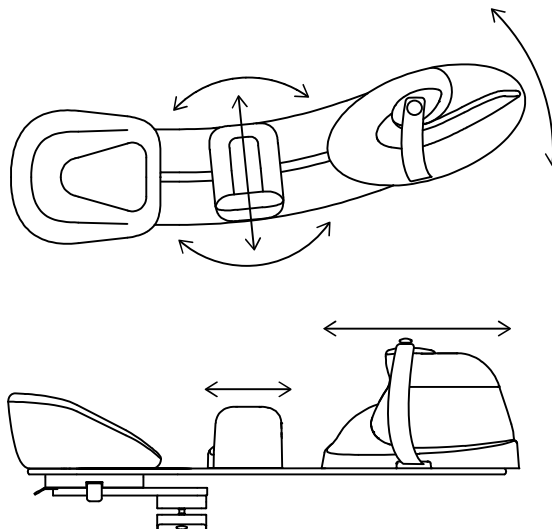


AJUSTAR A ALMOFADA DO ANTEBRAÇO E O BLOQUEIO DA MÃO

Comece por posicionar o cotovelo do utilizador na almofada do cotovelo.

Para ajustar o bloqueio da mão, desaperte os parafusos M6 (2) e faça deslizar o bloqueio da mão ao longo da placa de base para evitar a deslocação do antebraço do utilizador. Aperte o parafuso traseiro até que este fique ajustado e, em seguida, ajuste o ângulo do bloqueio da mão 0-30° para posicionar corretamente a mão e o pulso. Aperte totalmente ambos os parafusos para fixar o bloqueio da mão na respetiva posição.

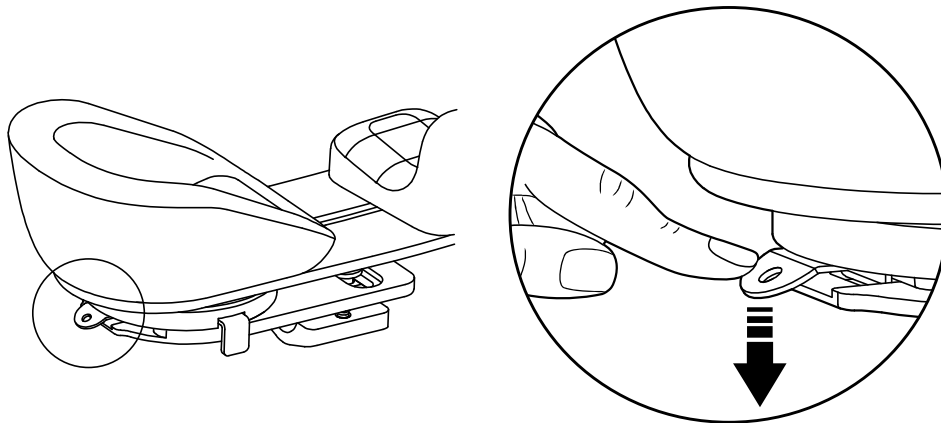
Para ajustar a almofada do antebraço, desaperte os parafusos M6 (2) e faça deslizar a almofada do antebraço ao longo da placa de base para encaixar o braço do utilizador atrás do pulso. Pode ser ajustada para dentro ou para fora, rodada ou reinstalada na direção oposta para suportar ou limitar o movimento do braço. Volte a apertar os parafusos.



UTILIZAÇÃO DA PLACA ADAPTADORA DE LIBERTAÇÃO RÁPIDA

Pressione o fecho de libertação rápida para baixo para desbloquear para remoção.

Para reinstalar, faça deslizar o Suporte de Braço para dentro do recetor de libertação rápida até este encaixar com um clique audível!

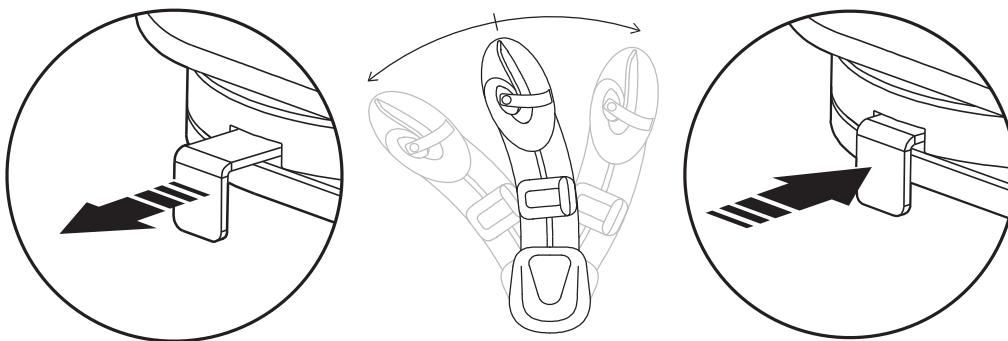


BLOQUEAR/DESBLOQUEAR A PLACA DE ARTICULAÇÃO

O Suporte de Braço pode ser desbloqueado para permitir o movimento dinâmico, ou bloqueado para manter uma posição fixa do braço.

Para desbloquear, puxe a patilha da placa de articulação para fora. O Suporte de Braço pode, agora, rodar livremente através de um intervalo interno-externo de 60°.

Para bloquear, empurre a patilha da placa de articulação para dentro. O Suporte de Braço pode ser bloqueado em incrementos de 5°.



DESBLOQUEIO

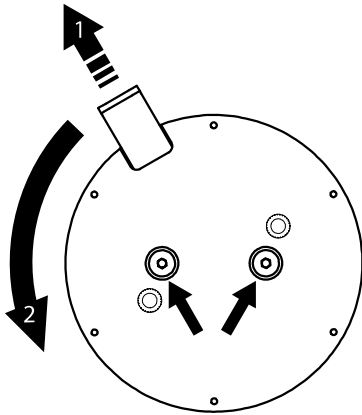
PIVÔ

BLOQUEIO

⚠AVISO! Monitorize sempre o utilizador quando a Placa de Articulação estiver desbloqueada para ser rodada. A Placa de Articulação deve ser sempre bloqueada ao conduzir a cadeira de rodas ou transportá-la num veículo para evitar danos ou lesões que possam resultar de bater em portas ou outros obstáculos perto do lado da cadeira.

AFINAÇÃO ADICIONAL DA PLACA DE ARTICULAÇÃO

OUTROS AJUSTES DE PROFUNDIDADE



Podem ser efetuados ajustes adicionais reposicionando a Placa de Articulação até 20 mm para a frente na Placa de Base.

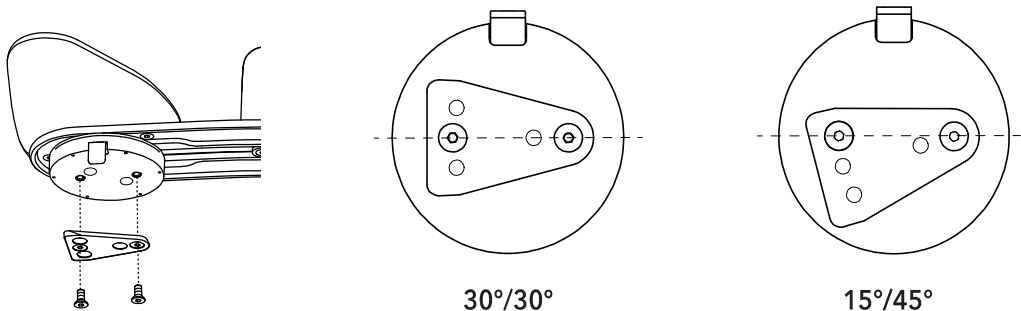
Para aceder aos parafusos de montagem, retire a cunha de liberação rápida e puxe a patilha da placa de Articulação para a desbloquear e rodar até os parafusos de montagem M6 estarem visíveis através dos dois orifícios de acesso.

Desaperte ambos os parafusos para fazer deslizar a Placa de Articulação para a frente, depois volte a apertar completamente ambos os parafusos e volte a fixar a Cunha de Liberação Rápida.

LIMITES DE ROTAÇÃO INTERNA E EXTERNA ADICIONAIS

A definição padrão da Placa de Articulação permite uma rotação interna/externa de 30° a partir da posição neutra (alinhada com o Suporte de Braço da cadeira). Isto fornece a mesma função, quer esteja instalada no lado direito ou esquerdo.

Alguns utilizadores são capazes de uma maior amplitude de rotação interna do braço, que pode ser acomodada ao reposicionar a cunha de liberação rápida na parte inferior da placa de articulação para permitir uma rotação interna/externa de 45°/15°.



VERIFICAÇÕES DE SEGURANÇA E DESEMPENHO

O utilizador deve sentar-se na cadeira de rodas antes de realizar a verificação de segurança.

1. FUNCIONAMENTO NORMAL

Verifique se existem pontos de compressão ou peças soltas.

2. CONFORTO

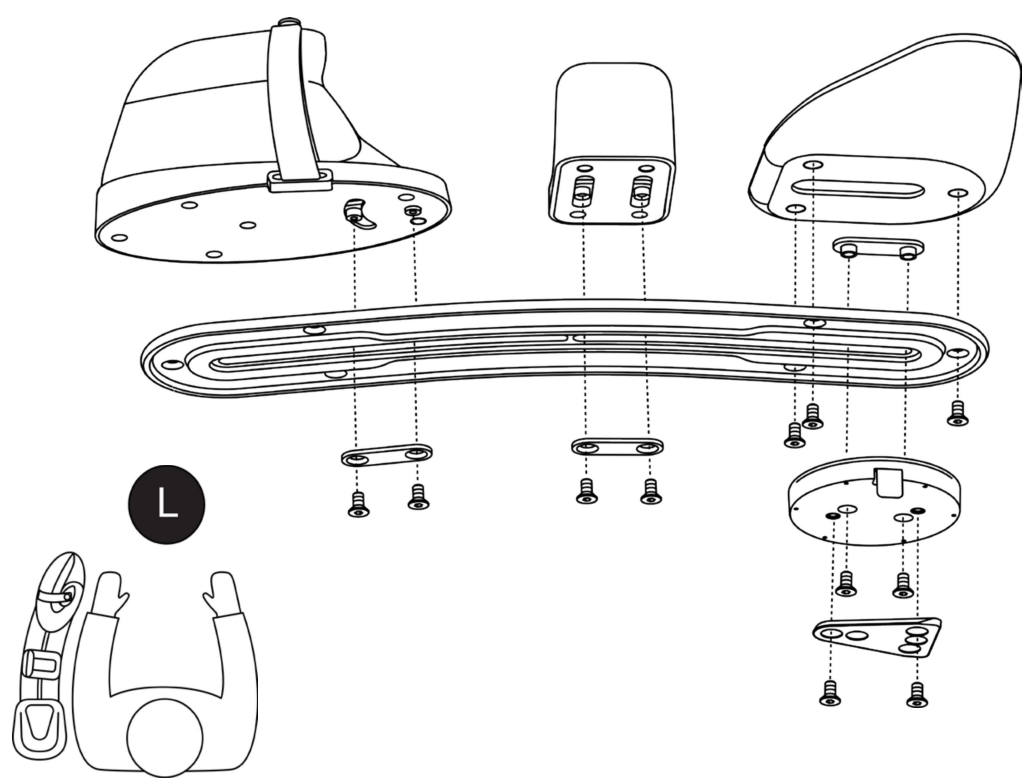
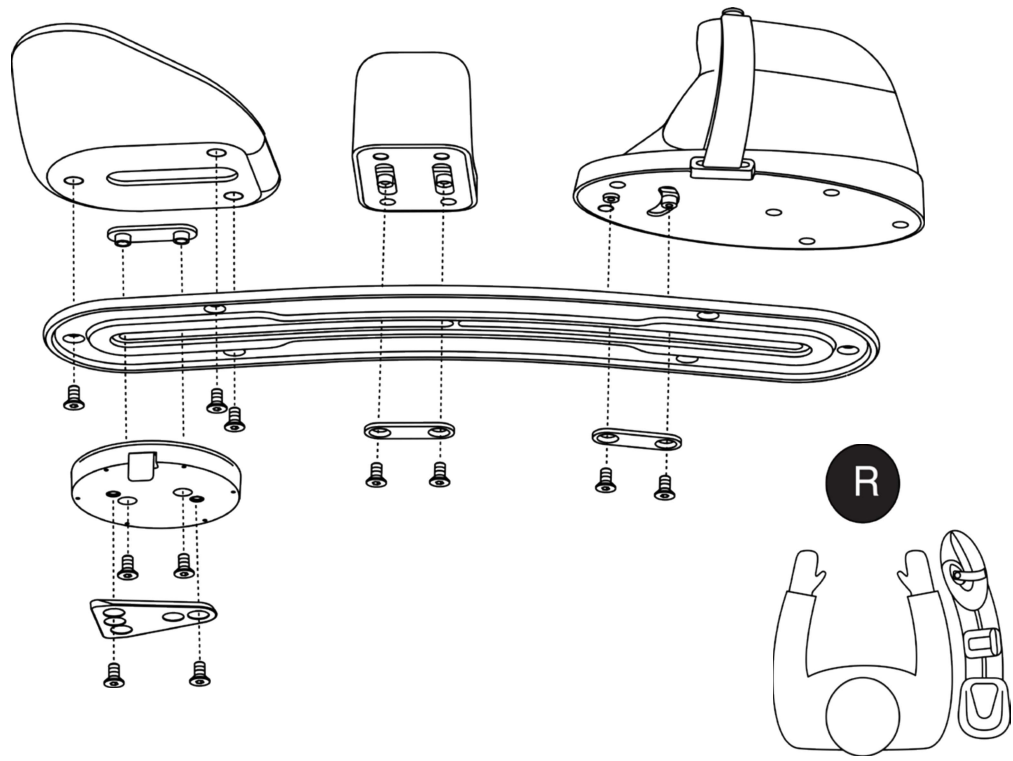
Procure por áreas de irritação.

3. POSIÇÃO

Confirme a posição correta da parte superior do corpo e ombros do utilizador.

4. ADICIONAL

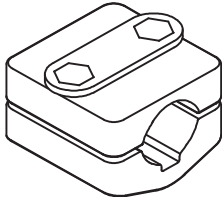
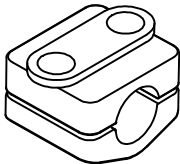
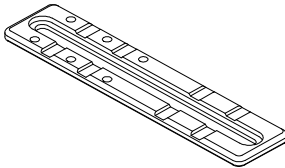
Desloque a cadeira em toda a sua amplitude de movimentos, incluindo inclinação, dobragem e rolamento, e verifique se existe alguma interferência e ajuste o Suporte de Braço, se necessário.



Suporte de Braço dinâmico

INSTRUÇÕES: HARDWARE DE MONTAGEM

ART NOS.: AS118, AS119, AS120

		
AS118	AS119	AS120
Suporte de Braço Grampos de montagem	Suporte de Braço Grampos de montagem	Suporte de Braço Placa de montagem
Compatível com Tubos Redondos de Suporte de Braço de Ø22/25 mm [7/8 pol./1 pol.]	Compatível com Tubos Redondos de Suporte de Braço de Ø19 mm [3/4 pol.]	Compatível com suportes de braço planos

⚠AVISO! Este produto deve ser instalado e colocado por um técnico de reabilitação qualificado.

⚠AVISO! Ao montar, verifique se o Suporte de Braço está bloqueado de forma segura na Placa do Adaptador de Libertação Rápida. O instalador deve ouvir um som de “estalido”.

⚠AVISO! Se ocorrer um incidente grave relacionado com a utilização deste produto, este deve ser comunicado ao fabricante (Bodypoint, Inc.) e à Autoridade Competente local.

VERIFICAÇÕES DE SEGURANÇA E DESEMPENHO:

Para garantir a segurança do utilizador, este produto deve ser verificado periodicamente quanto ao funcionamento e sinais de desgaste. Se o produto não funcionar corretamente ou se se verificar um desgaste significativo nas peças, interrompa a sua utilização e contacte o seu fornecedor para reparação ou substituição qualificada pela Bodypoint®. Este produto não deve, em circunstância alguma, ser alterado ou reparado por pessoas não qualificadas.

GARANTIA:

Este produto possui uma garantia vitalícia limitada contra defeitos de fabrico e materiais decorrentes da utilização normal pelo consumidor original. Contacte o seu fornecedor ou a Bodypoint® para reclamações de garantia. Para obter mais informações sobre os produtos Bodypoint® e informações sobre distribuidores fora dos EUA, visite www.bodypoint.com.



BP Bodypoint®

558 1st Avenue South
Suite 300
Seattle, WA 98104, USA

EC REP

Bodypoint Europe BV
Kerkstraat 29
7396 PG Terwolde, NL



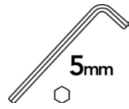
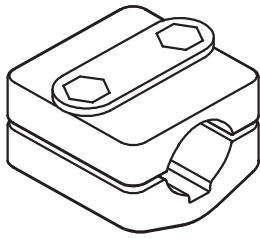
206.405.4555
800.547.5715



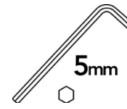
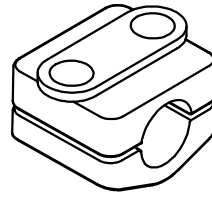
www.bodypoint.com



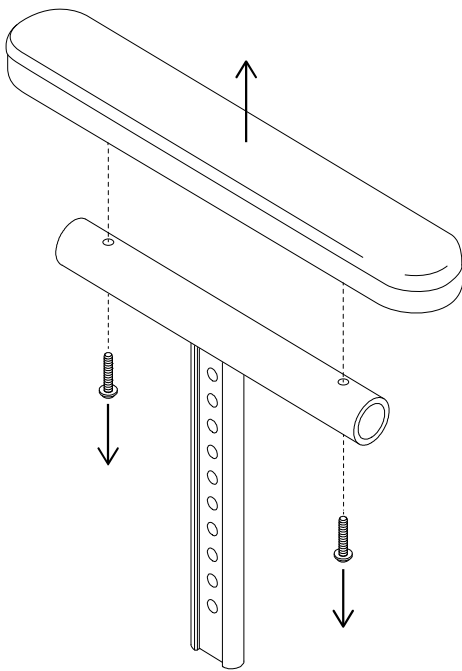
AS118



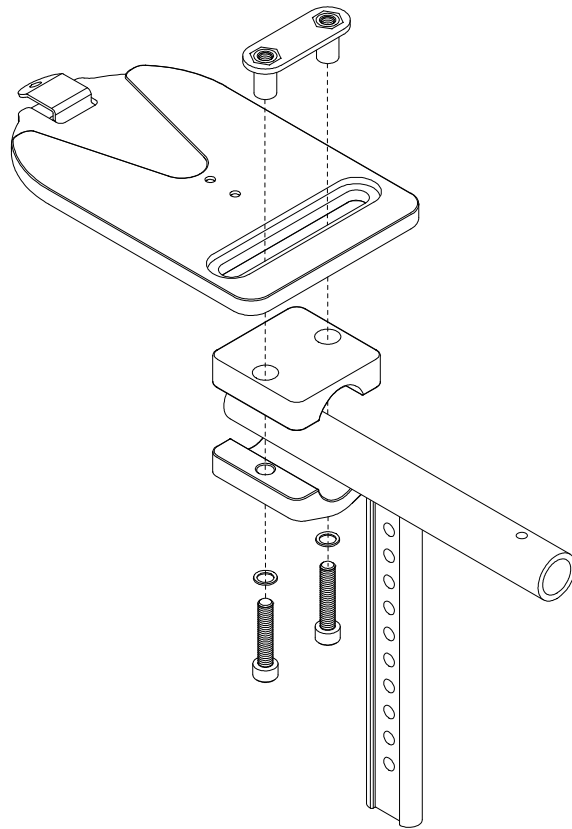
AS119



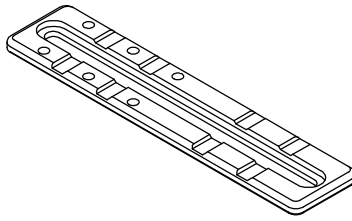
1



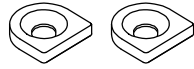
2



AS120



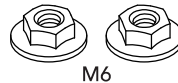
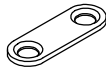
M6x20m



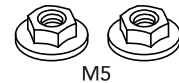
M6x35mm



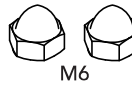
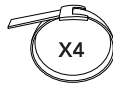
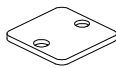
M5x35mm



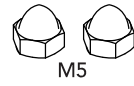
M6



M5



M6



M5



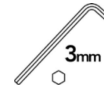
10mm



8mm

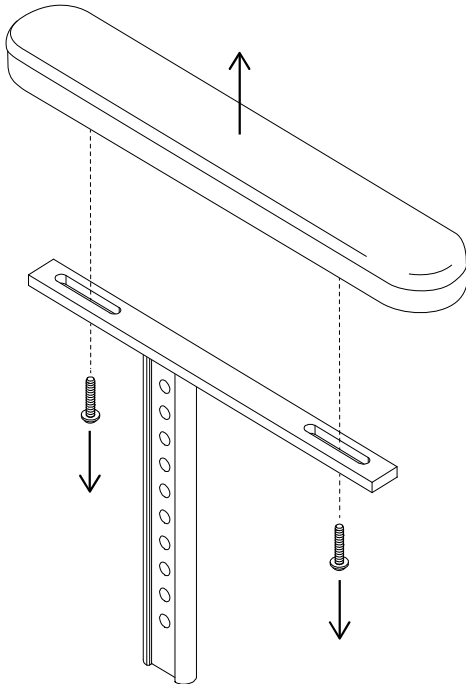


4mm

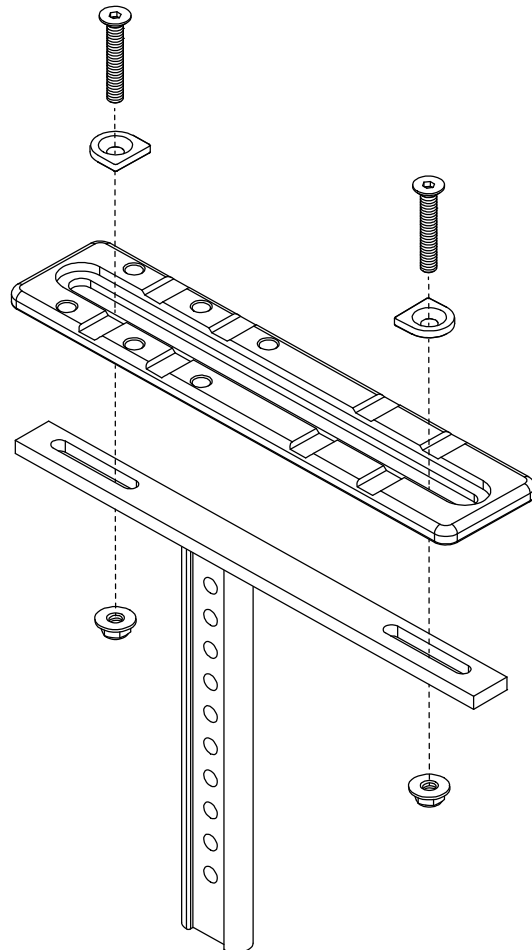


3mm

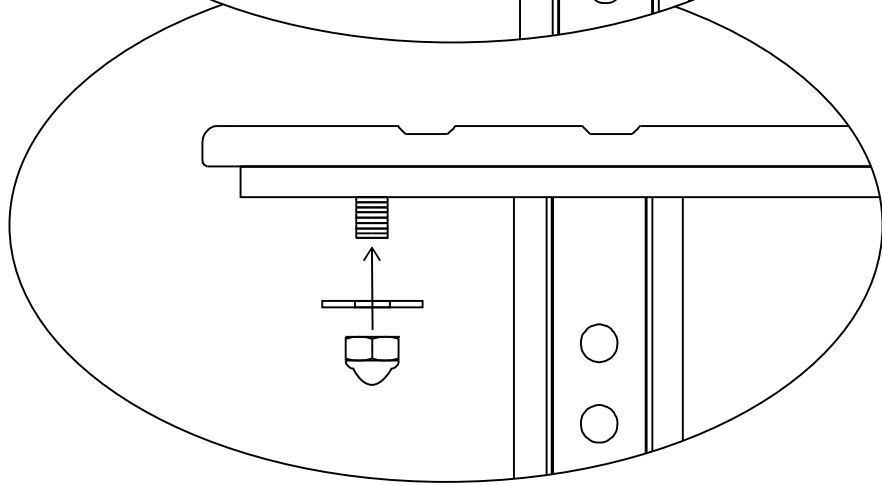
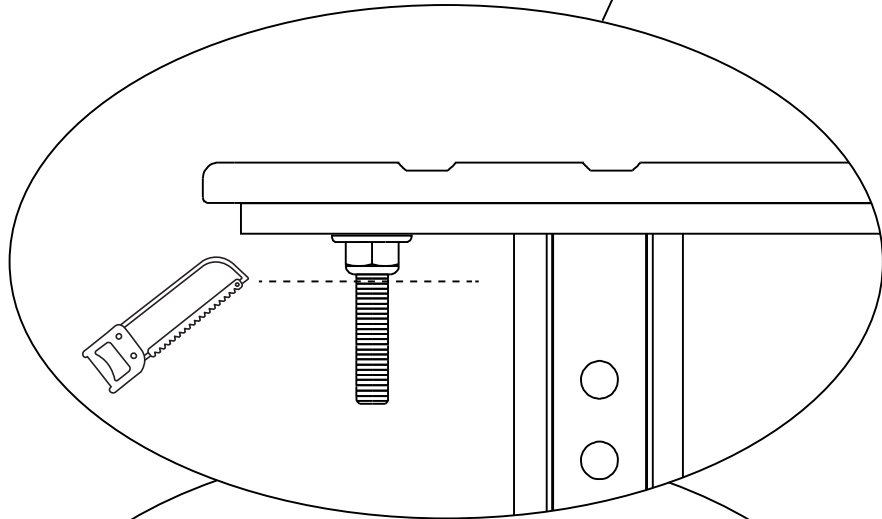
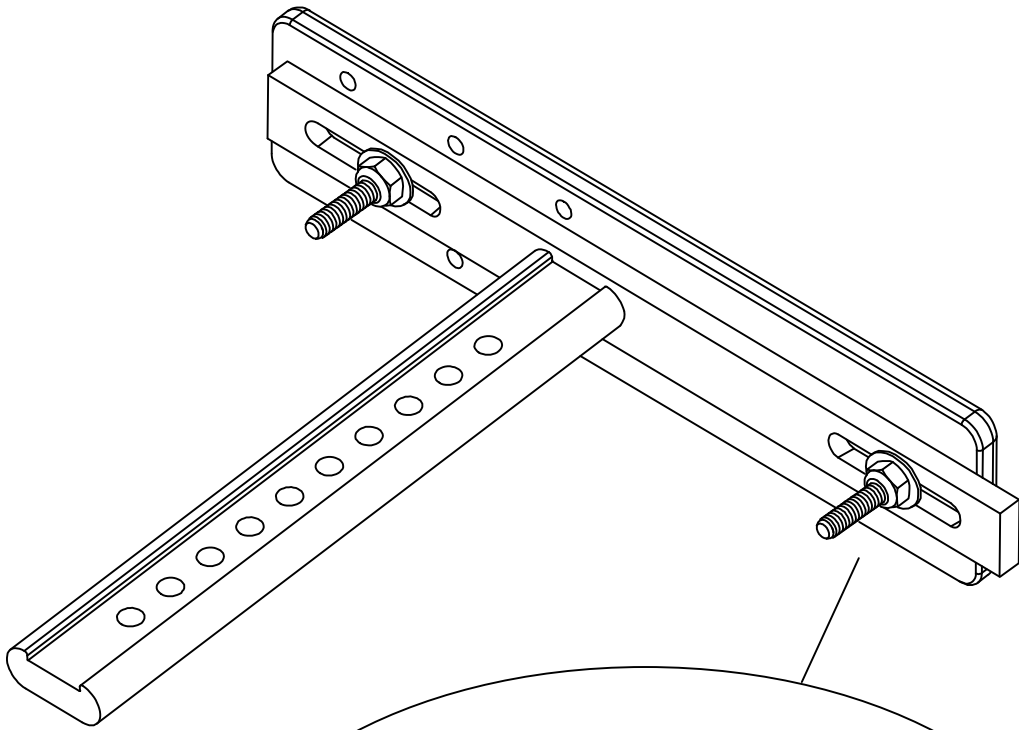
1



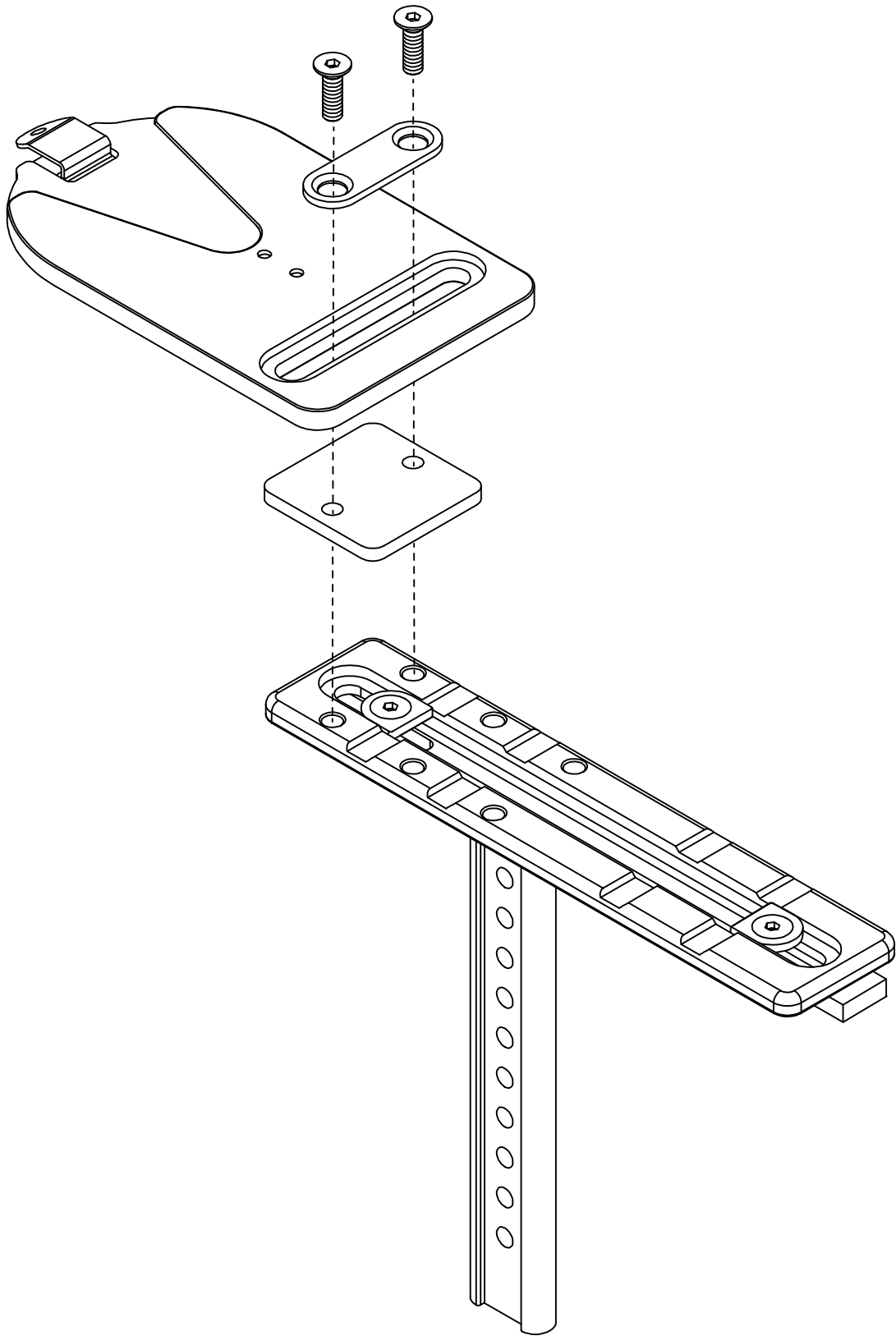
2

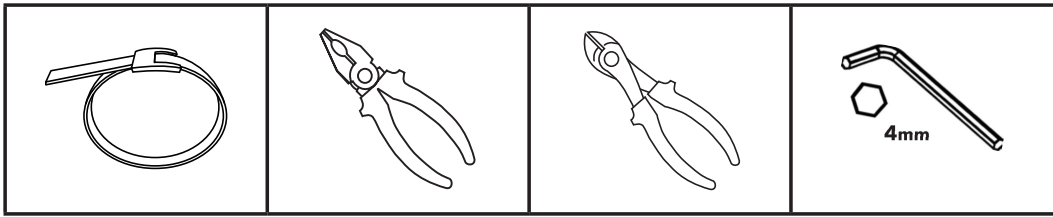


3

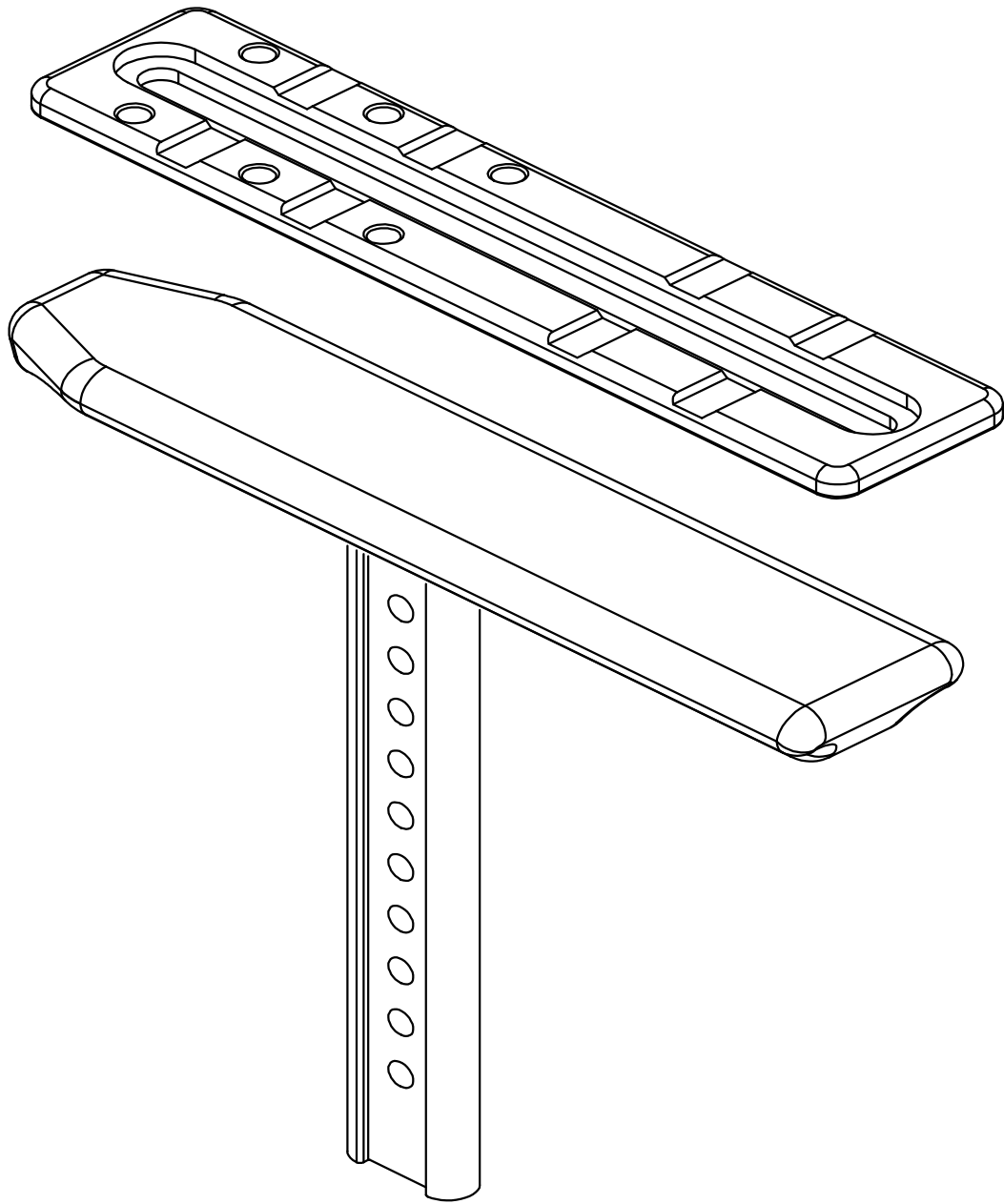


4

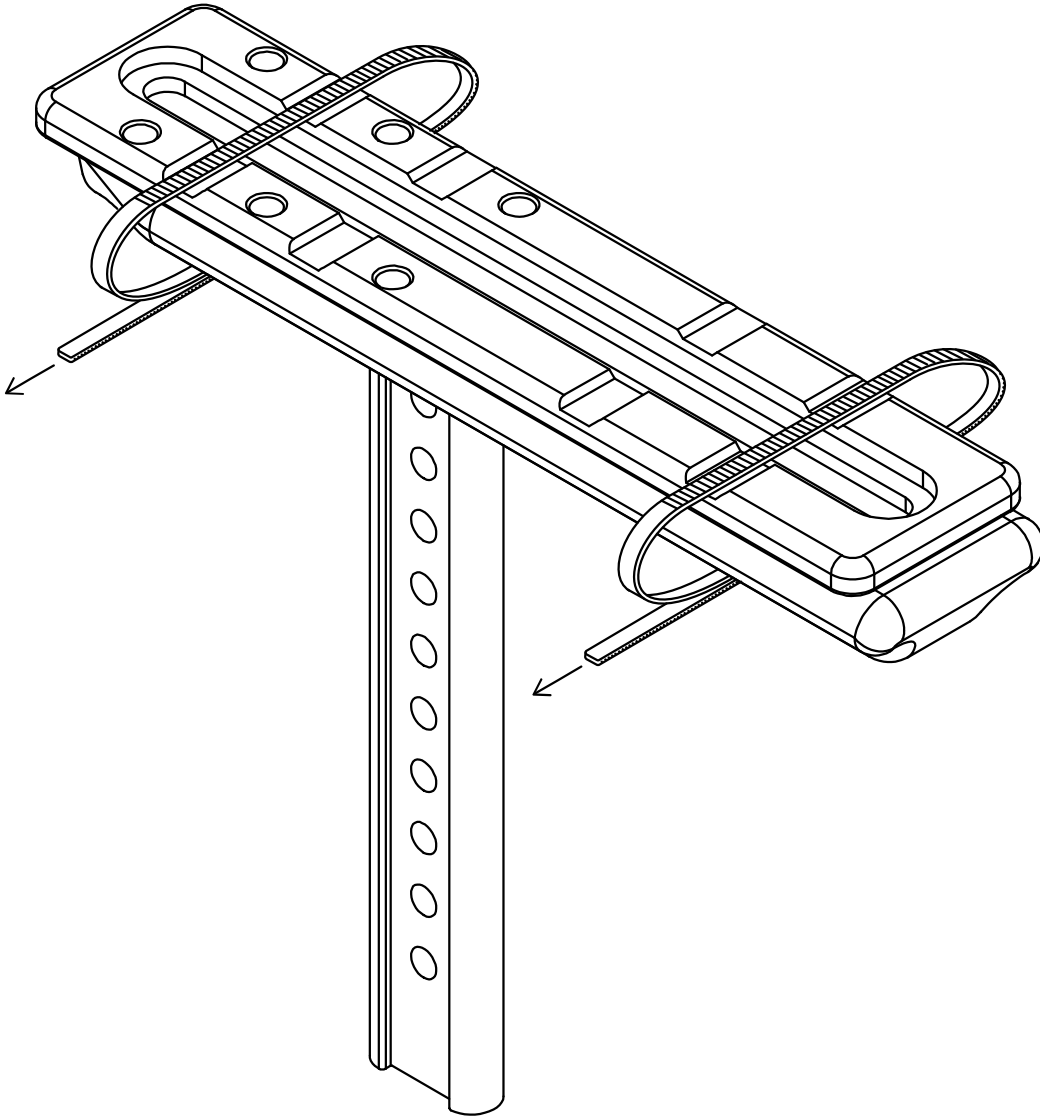




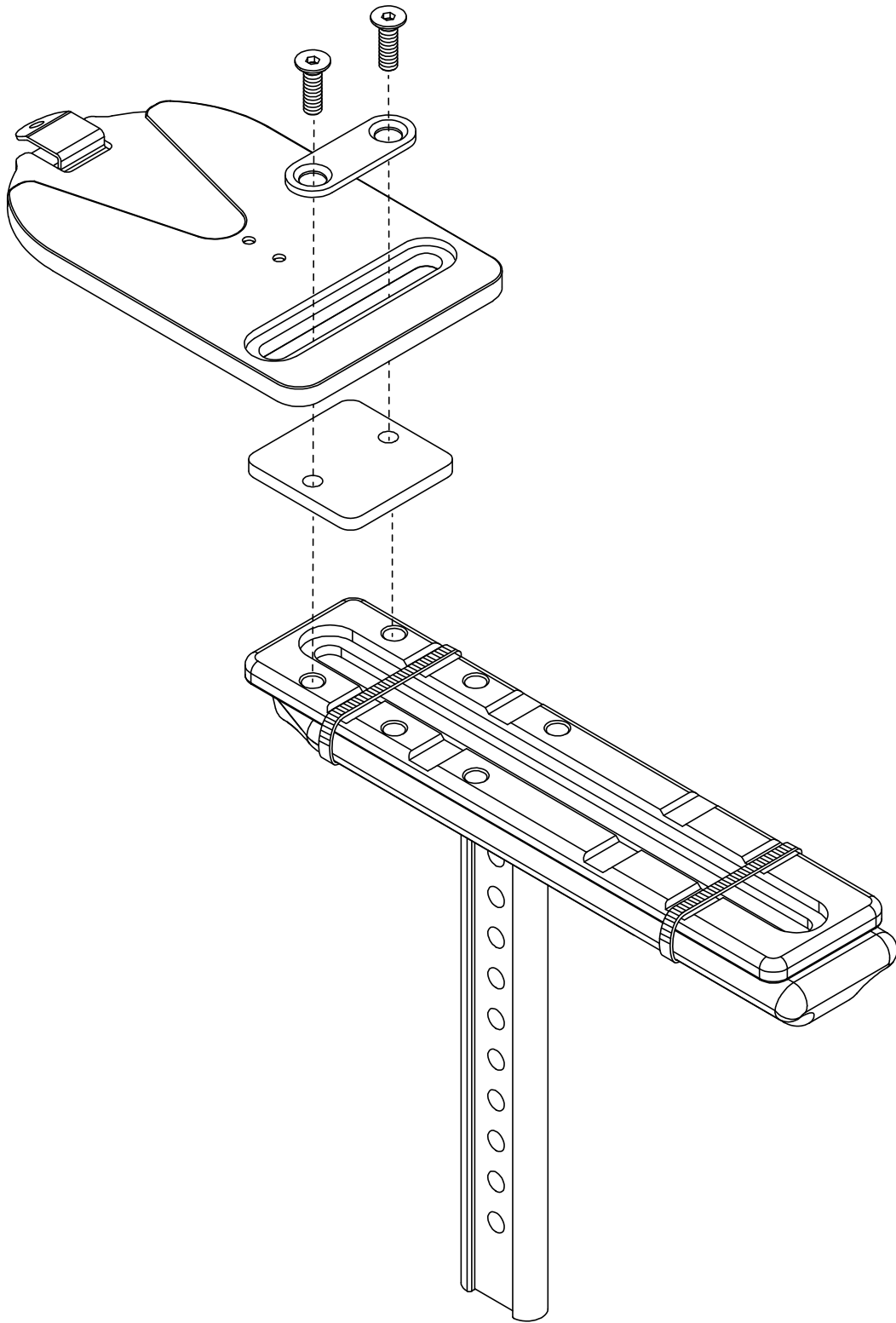
1



2



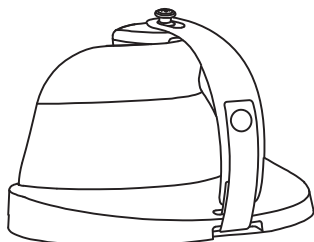
3



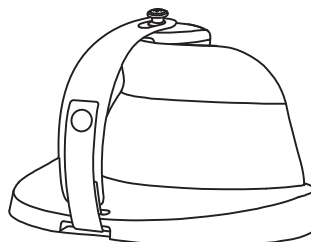
Soporte dinámico para brazo

CONTENIDOS DEL PAQUETE

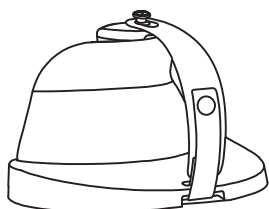
ART NOS.: AS001



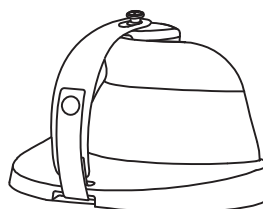
AS116L



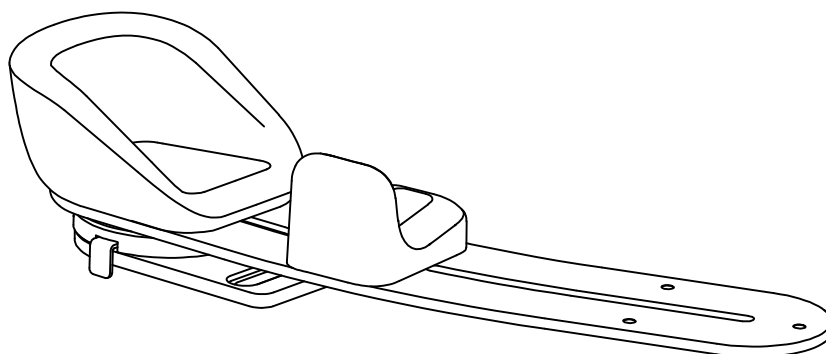
AS116R



AS115L



AS115R



AS200R



BP Bodypoint®

558 1st Avenue South
Suite 300
Seattle, WA 98104, USA

EC REP

Bodypoint Europe BV
Kerkstraat 29
7396 PG Terwolde, NL

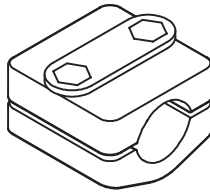


206.405.4555
800.547.5715



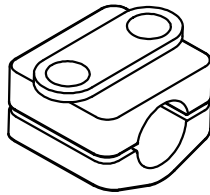
www.bodypoint.com





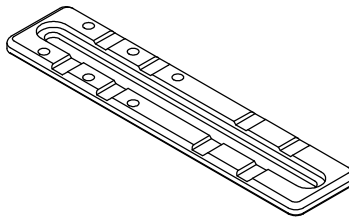
AS118

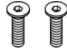

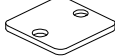
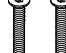
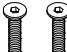







Ø22/25mm [7/8"/1"]



AS119

Ø19mm [3/4"]



 M6x20mm			 M5x35mm
 M6x35mm			 M5
 M6	 M5	 M6	 X4

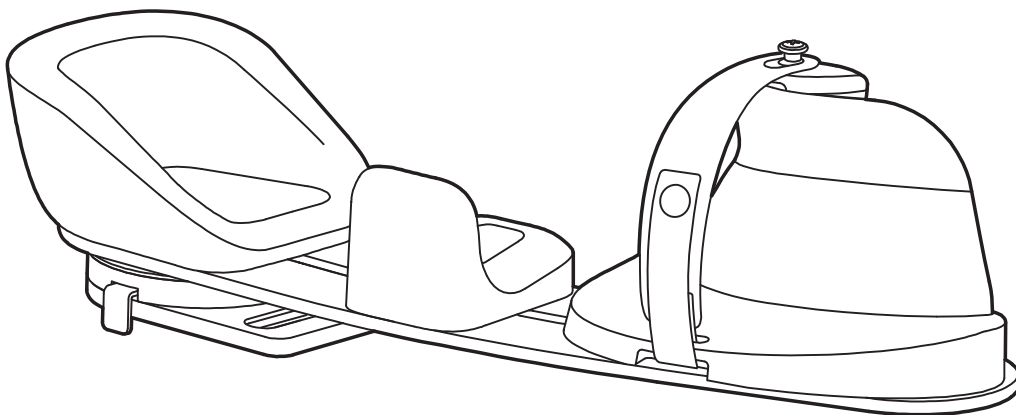
AS120

Soporte dinámico para brazo

Nros. de artículo: AS201L, AS201R, AS202L, AS202R, AS200L, AS200R

INSTRUCCIONES DE INSTALACIÓN Y USO

Estas instrucciones brindan información importante para el uso y mantenimiento seguros de los soportes de brazo Bodypoint®. Proporcione estas instrucciones al usuario o cuidador y revíselas para asegurarse de que hayan sido comprendidas.



USO PREVISTO :

El soporte dinámico para brazo es un soporte dinámico móvil para el codo, antebrazo y mano, que se acopla a una silla de ruedas manual o eléctrica. Brinda soporte a las extremidades superiores, rango de movimiento dinámico y funcional a nivel del hombro, y un soporte de mano flexible e innovador que promueve la funcionalidad de la mano y ayuda a minimizar el tono de los músculos flexores y las contracturas.

Este producto incluye componentes modulares que logran un ajuste ortésico personalizado. Un mecanismo giratorio permite a los usuarios ejercitar el hombro dentro de un rango de movimiento dinámico y funcional. El soporte de mano flexible ayuda a posicionar la muñeca, la mano y los dedos en una alineación neutra y minimizar el tono de los músculos flexores y las contracturas.

Este producto está diseñado para su instalación en una variedad de modelos de silla de ruedas con apoyabrazos de altura ajustable, y puede ser retirado con facilidad para realizar traslados, utilizando la función de desacoplamiento rápido. Para garantizar el mejor resultado clínico, los usuarios deben consultar con un profesional de la salud calificado antes de utilizar el producto.



Bodypoint®

558 1st Avenue South
Suite 300
Seattle, WA 98104, USA

EC REP

Bodypoint Europe BV
Kerkstraat 29
7396 PG Terwolde, NL



206.405.4555
800.547.5715



www.bodypoint.com



⚠️ADVERTENCIA! Este producto debe ser instalado y ajustado por un técnico en rehabilitación calificado.

⚠️ADVERTENCIA! Este producto solo debe ser utilizado para posicionar los brazos de una persona que se encuentra en una silla de ruedas. El mal uso de este producto no es seguro y no está autorizado.

⚠️ADVERTENCIA! El brazo del usuario se debe posicionar de manera correcta en el soporte. Un soporte mal colocado podría hacer que el brazo del usuario se desplace provocando una dislocación de hombro o empeorando el tono de los músculos flexores de la mano. Pida a su terapeuta o técnico que haga una demostración del ajuste y uso correctos.

⚠️ADVERTENCIA! Si las habilidades físicas o cognitivas del usuario no le permiten operar este producto con seguridad, un cuidador deberá estar siempre presente durante su uso. Asegúrese de que todos los cuidadores sepan cómo operar correctamente el producto.

⚠️ADVERTENCIA! Este producto puede cambiar la manera en que una persona se sienta. Realice actividades para aliviar la presión y verifique la integridad de la piel de manera regular. Si aumenta el enrojecimiento de la piel o se produce irritación, discontinúe

su uso y consulte a un profesional de la salud calificado.

⚠️ADVERTENCIA! Siempre monitoree al usuario cuando la placa giratoria que permite la rotación esté desbloqueada. La placa giratoria siempre debe estar bloqueada al conducir la silla de ruedas o transportarla en un vehículo para evitar los daños o lesiones que podrían producirse al golpear marcos de puertas u otros obstáculos que pudieran encontrarse cerca del costado de la silla.

⚠️ADVERTENCIA! Al instalarlo, verifique que el soporte de brazo quede firmemente bloqueado con la placa adaptadora de desacoplamiento rápido. El instalador debe poder escuchar un sonoro "clic".

⚠️ADVERTENCIA! Si se produce un incidente serio relacionado con el uso de este producto, se debe informar al fabricante (Bodypoint, Inc.) y a las autoridades locales competentes.

⚠️ADVERTENCIA! Lo más seguro es levantarse de la silla de ruedas y sentarse en un asiento del vehículo instalado por el fabricante y usar el cinturón de seguridad a prueba de choques del vehículo. Si no se usa el equipo adecuado de restricción en un vehículo, se pueden producir lesiones graves o la muerte.

VERIFICACIONES PERIÓDICAS DE LA SEGURIDAD Y EL DESEMPEÑO:

Para garantizar la seguridad del usuario, este producto se debe verificar de manera periódica en busca de señales de desgaste y comprobar su funcionamiento. Si el producto no funciona correctamente o si se verifica un desgaste significativo de sus piezas, deje de utilizarlo y póngase en contacto con su proveedor para que Bodypoint® realice las reparaciones adecuadas o su reemplazo. Ninguna persona no calificada debe alterar o reparar el producto bajo ninguna circunstancia.

LIMPIEZA:

Este producto puede limpiarse utilizando un trapo con desinfectante o un paño remojado en agua tibia y jabón. Seque con una toalla o deje secar al aire. Se puede aplicar un desinfectante suave a la superficie. Para limpiar la correa de mano, lávela a máquina con agua caliente a 60 °C (140 °F). No utilice blanqueador. Secar en secadora a baja temperatura, o al aire. No planchar.

DESECHO/ELIMINACIÓN:

Este producto está compuesto por materiales que pueden ser eliminados de manera segura sin tomar precauciones especiales al cabo de su vida útil.

GARANTÍA:

Este producto cuenta con una garantía limitada de por vida debido a defectos de fabricación y de los materiales, que surjan del uso normal por parte del consumidor original. Póngase en contacto con su proveedor o con Bodypoint® por reclamos amparados por la garantía. Para obtener más información acerca de los productos Bodypoint®, así como datos sobre distribuidores fuera de los EE. UU., visite www.bodypoint.com.

HERRAMIENTAS REQUERIDAS

Llave hexagonal de 4 mm



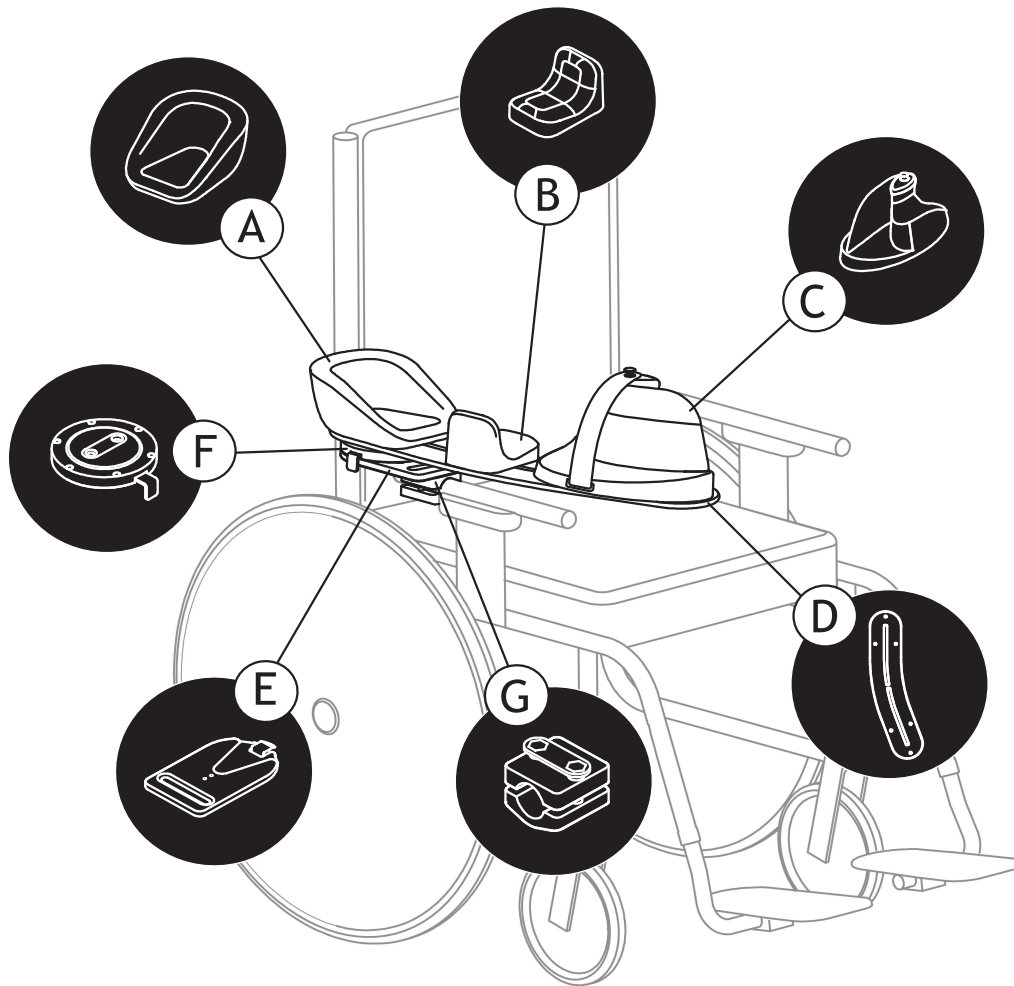
Llave hexagonal de 3 mm

Para realizar ajustes opcionales a la palanca de desacoplamiento rápido



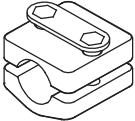
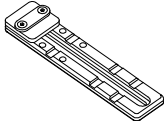
CONTENIDOS DEL PAQUETE

A	B	C	D	E	F
Codera	Almohadilla para el antebrazo	Bloqueo y correa de mano	Placa base	Placa adaptadora de desacoplamiento rápido	Placa giratoria

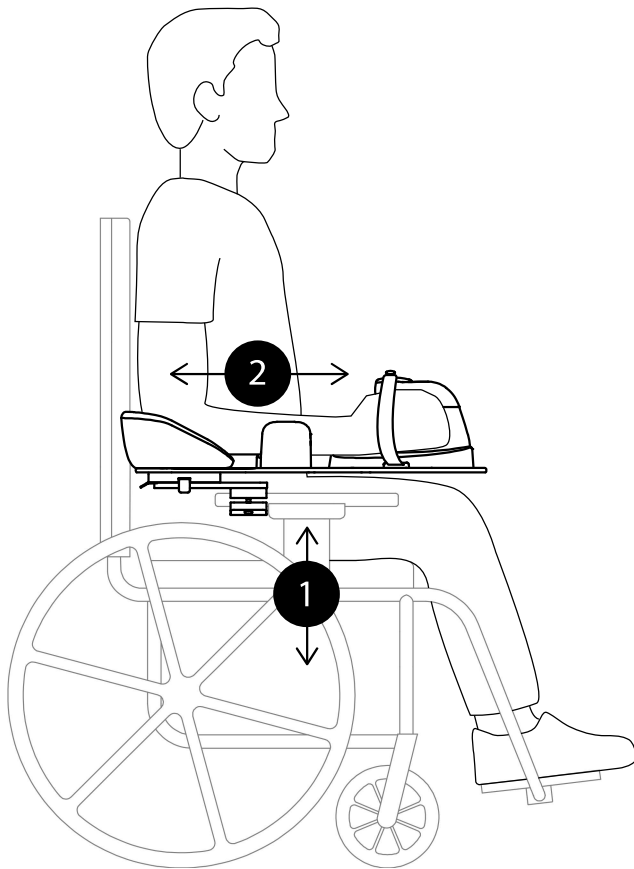


PIEZAS DE MONTAJE

LA ABRAZADERA O PLACA OPCIONAL SE VENDEN POR SEPARADO
LA ABRAZADERA DE MONTAJE DEL APOYABRAZOS SE MUESTRA ARRIBA

G	H
Abrazaderas de montaje del apoyabrazos Compatibles con tubos redondos para apoyabrazos de Ø19 mm [3/4"] o Ø22/25 mm [7/8"/1"]	Placa de montaje del apoyabrazos Compatible con apoyabrazos planos
	

POSICIONAR EL SOPORTE DE BRAZO PARA EL USUARIO



1. Altura

Para un posicionamiento óptimo, se recomienda el uso de un apoyabrazos de altura ajustable.

Ajuste la altura del apoyabrazos para dar soporte al codo y lograr una distribución de la presión del brazo uniforme, sin levantar el hombro.

2. Profundidad

Para ajustar el soporte de brazo hacia adelante o hacia atrás, afloje los tornillos que se ubican en las piezas de montaje del apoyabrazos.

Deslice el soporte de brazo hacia adelante o atrás a lo largo del apoyabrazos hasta alcanzar la posición correcta.

Para obtener más información, consulte: "AJUSTES ADICIONALES DE LA PLACA GIRATORIA, AJUSTES ADICIONALES DE LA PROFUNDIDAD".

3. Lateral

Para posicionar el soporte de brazo más cerca o más lejos del usuario, afloje los tornillos que vinculan la placa adaptadora de desacoplamiento rápido a las piezas de montaje del apoyabrazos.

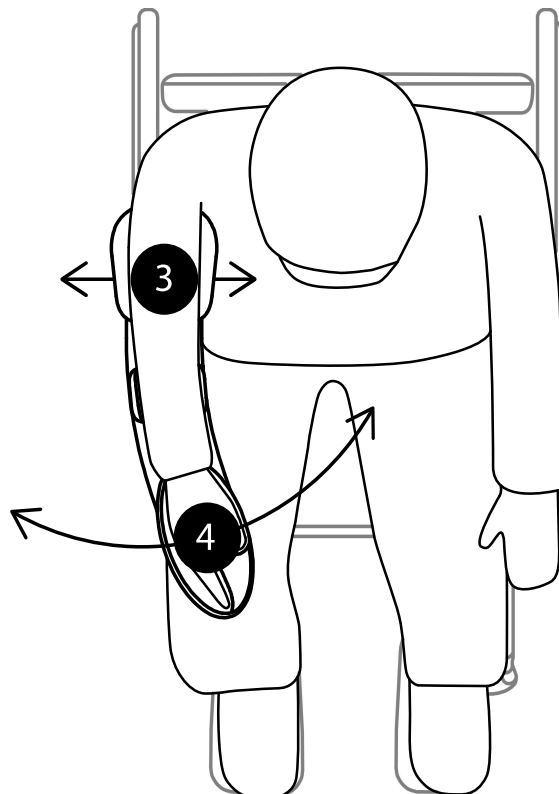
Deslice el soporte de brazo hacia adentro o afuera y vuelva a ajustar firmemente ambos tornillos.

4. Ángulo

La placa giratoria permite un rango de rotación interno a externo de 60°. Para elegir el ángulo del soporte de brazo, tire de la pestaña de la placa giratoria y posicione el soporte de brazo.

Empuje la pestaña de la placa giratoria para bloquearla en el ángulo deseado en incrementos de 5°.

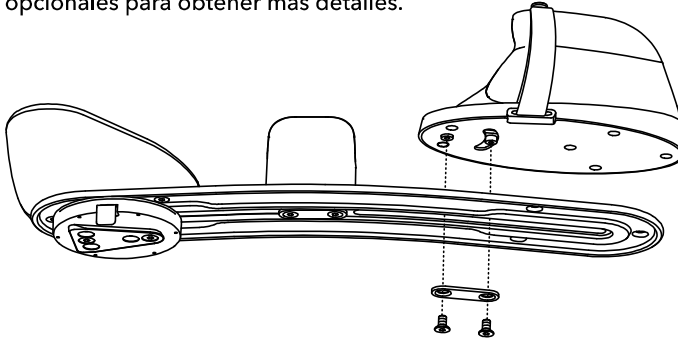
Para obtener más información, consulte: "AJUSTES ADICIONALES DE LA PLACA GIRATORIA, LÍMITES ADICIONALES DE ROTACIÓN INTERNA Y EXTERNA".



INSTALACIÓN DEL SOPORTE DE BRAZO

Antes de la instalación, retire el receptáculo de desacoplamiento rápido del soporte de brazo. Para obtener más información, consulte: "USO DE LA PLACA ADAPTADORA DE DESACOPAMIENTO RÁPIDO".

1. Instale el receptáculo de desacoplamiento rápido al apoyabrazos de la silla de ruedas utilizando las piezas opcionales de montaje del apoyabrazos. Ajuste parcialmente los tornillos de montaje para permitir realizar ajustes. Consulte las instrucciones que se incluyen con las piezas de montaje opcionales para obtener más detalles.

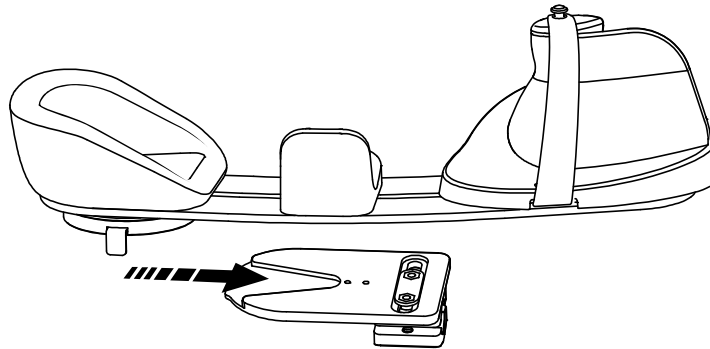


2. Instale el bloqueo de mano a la placa base utilizando la placa perforada y los tornillos M6 que se incluyen (2).

Nota: No apriete completamente los tornillos hasta haber realizado los ajustes finales de adaptación al usuario.

3. Deslice el soporte de brazo en la placa adaptadora de desacoplamiento rápido; la palanca de desacoplamiento rápido debe quedar bloqueada con un sonido "clic".

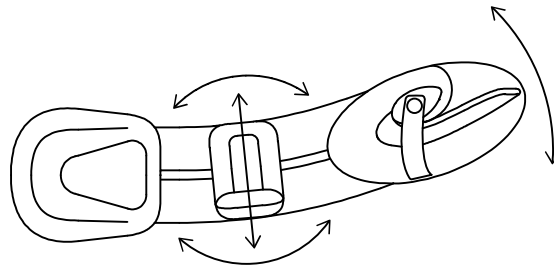
Nota: La palanca de desacoplamiento rápido puede ajustarse para eliminar cualquier juego, aflojando los (2) tornillos M5 de la parte inferior con una llave hexagonal de 3 mm. Empuje la palanca de desacoplamiento rápido con firmeza contra el borde posterior de la cuña de desacoplamiento rápido a la vez que vuelve a ajustar los tornillos para fijarla en su lugar.



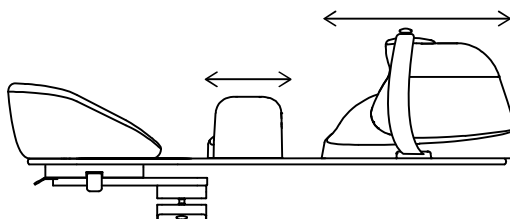
AJUSTE DE LA ALMOHADILLA DEL ANTEBRAZO Y EL BLOQUEO DE MANO

Comience posicionando el codo del usuario sobre la codera.

Para ajustar el bloqueo de mano, afloje los (2) tornillos M6 y deslice el bloqueo de mano a lo largo de la placa base para evitar que el antebrazo del usuario se mueva. Apriete el tornillo posterior hasta que esté firme, luego ajuste el ángulo del bloqueo de mano entre 0 y 30° para posicionar correctamente la mano y la muñeca. Ajuste bien ambos tornillos para asegurar el bloqueo de mano en su lugar.

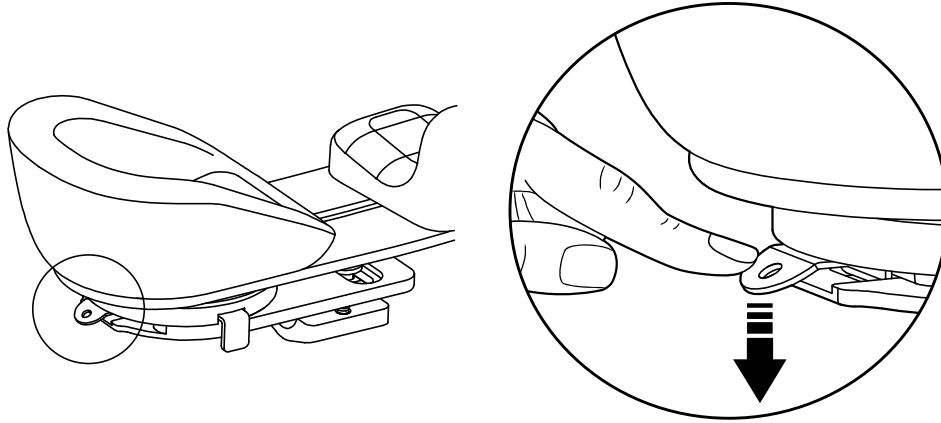


Para ajustar la almohadilla del antebrazo, afloje los (2) tornillos M6 y deslice la almohadilla a lo largo de la placa base para que sostenga el brazo del usuario por detrás de la muñeca. Se puede ajustar hacia dentro o fuera, rotar o reinstalar en la dirección opuesta para dar soporte o limitar el movimiento del brazo. Vuelva a ajustar los tornillos.



USO DE LA PLACA ADAPTADORA DE DESACOPLAMIENTO RÁPIDO

Presione la palanca de desacoplamiento rápido hacia abajo para desbloquearla y poder retirarla.
Para reinstalar, deslice el soporte de brazo en el receptáculo de desacoplamiento rápido hasta que se acople con un sonoro "clac".

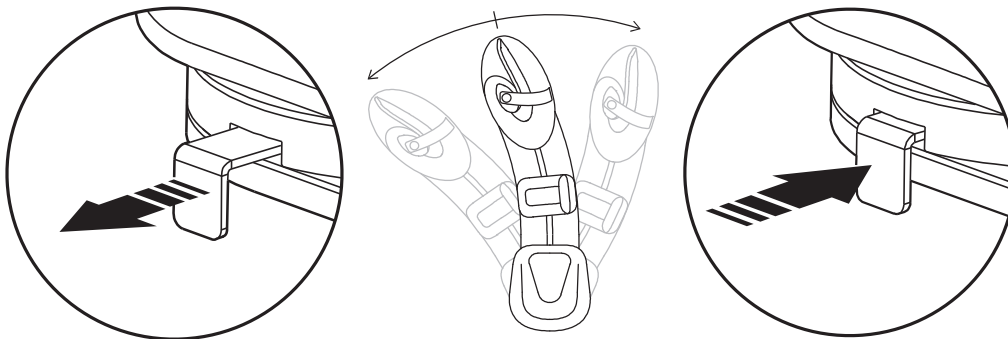


BLOQUEAR/DESBLOQUEAR LA PLACA GIRATORIA

El soporte de brazo se puede desbloquear para permitir el movimiento dinámico o bloquear para mantener una posición fija del brazo.

Para desbloquearlo, tire de la pestaña de la placa giratoria. El soporte de brazo podrá rotar libremente dentro de un rango interno a externo de 60°.

Para bloquearlo, empuje la pestaña de la placa giratoria. El soporte de brazo se puede bloquear en incrementos de 5°.



DESBLOQUEAR

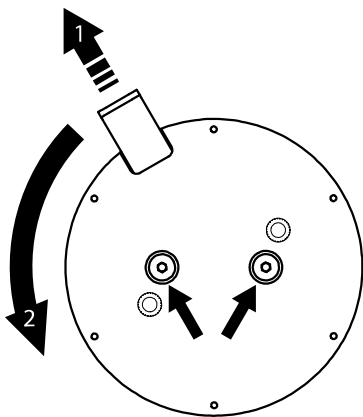
GIRAR

BLOQUEAR

⚠️ADVERTENCIA! Siempre monitoree al usuario cuando la placa giratoria que permite la rotación esté desbloqueada. La placa giratoria siempre debe estar bloqueada al conducir la silla de ruedas o transportarla en un vehículo para evitar los daños o lesiones que podrían producirse al golpear marcos de puertas u otros obstáculos que pudieran encontrarse cerca del costado de la silla.

AJUSTES ADICIONALES DE LA PLACA GIRATORIA

AJUSTES ADICIONALES DE LA PROFUNDIDAD



Se pueden realizar ajustes adicionales repositando la placa giratoria hacia adelante hasta 20 mm sobre la placa base.

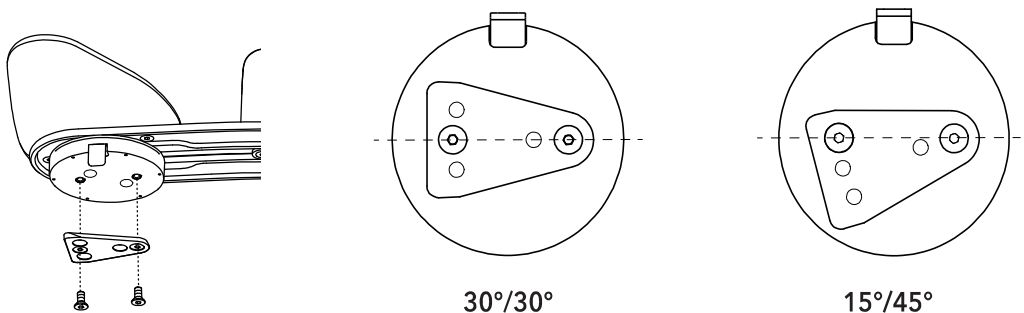
Para acceder a los tornillos de montaje, retire la cuña de desacoplamiento rápido y tire de la pestaña de la placa giratoria para desbloquearla y rotarla hasta que los tornillos de montaje M6 queden visibles a través de los dos agujeros de acceso.

Afloje ambos tornillos para deslizar la placa giratoria hacia adelante, luego vuelva a ajustar ambos tornillos y vuelva a acoplar la cuña de desacoplamiento rápido.

LÍMITES ADICIONALES DE ROTACIÓN INTERNA Y EXTERNA

La configuración estándar de la placa giratoria permite una rotación interna de 30° y una externa de 30° desde la posición neutra (alineada con el apoyabrazos de la silla). Esto ofrece la misma función ya sea que se instale del lado derecho o izquierdo.

Algunos usuarios son capaces de realizar un rango mayor de rotación interna del brazo, lo que se puede lograr repositando la cuña de desacoplamiento rápido en la parte inferior de la placa giratoria para permitir una rotación interna de 45° y una externa de 15°.



VERIFICACIONES DE SEGURIDAD Y DESEMPEÑO

El usuario debe estar sentado en la silla de ruedas antes de realizar la verificación de seguridad.

1. OPERACIÓN NORMAL

Verifique que no haya puntos de apriete ni piezas sueltas.

2. CONFORT

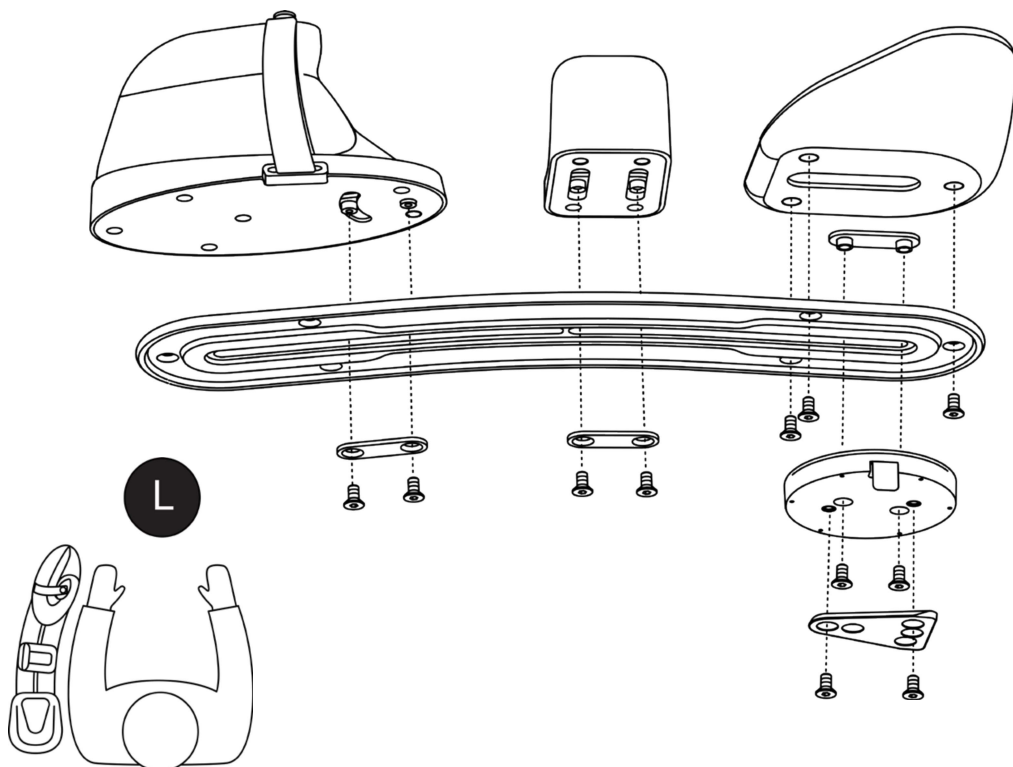
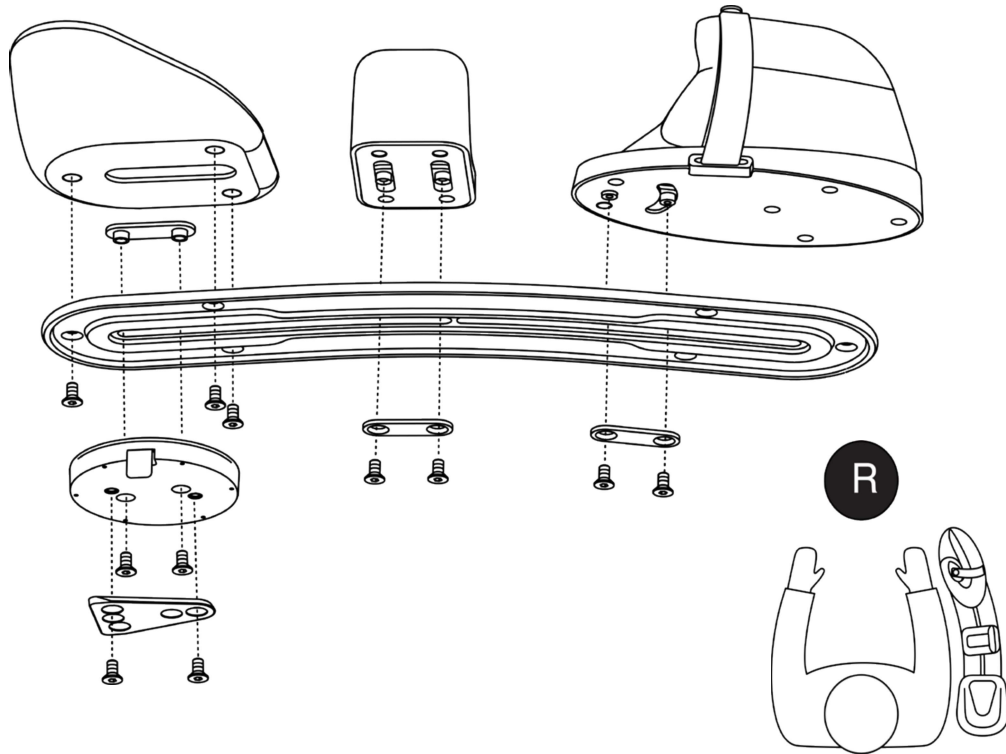
Busque zonas donde se produzca irritación.

3. POSICIÓN

Confirme que el tren superior y los hombros del usuario estén en la posición correcta.

4. ADICIONAL

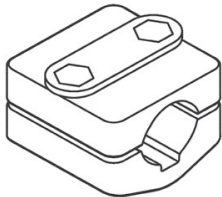
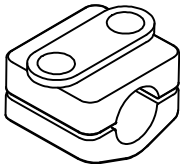
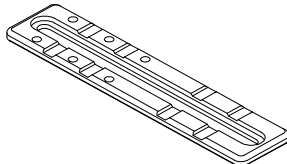
Haga que la silla se mueva por todo el rango de movimientos, incluyendo inclinarla, plegarla y hacerla andar, verificando que no haya interferencias y ajustando el soporte de brazo si resulta necesario.



Soporte dinámico para brazo

INSTRUCCIONES: PIEZAS DE MONTAJE

ART NOS.: AS118, AS119, AS120

		
AS118	AS119	AS120
Abrazaderas de montaje del apoyabrazos	Abrazaderas de montaje del apoyabrazos	Placa de montaje del apoyabrazos
Compatibles con tubos redondos para apoyabrazos de Ø22/25 mm [7/8"/1"]	Compatibles con tubos redondos para apoyabrazos de Ø19 mm [3/4"]	Compatible con apoyabrazos planos

⚠️ADVERTENCIA! Este producto debe ser instalado y ajustado por un técnico en rehabilitación calificado.

⚠️ADVERTENCIA! Al instalarlo, verifique que el soporte de brazo quede firmemente bloqueado con la placa adaptadora de desacoplamiento rápido. El instalador debe poder escuchar un sonoro "clac".

⚠️ADVERTENCIA! Si se produce un incidente serio relacionado con el uso de este producto, se debe informar al fabricante (Bodypoint, Inc.) y a las autoridades locales competentes.

VERIFICACIONES PERIÓDICAS DE LA SEGURIDAD Y EL DESEMPEÑO

Para garantizar la seguridad del usuario, este producto se debe verificar de manera periódica en busca de señales de desgaste y comprobar su funcionamiento. Si el producto no funciona correctamente o si se verifica un desgaste significativo de sus piezas, deje de utilizarlo y póngase en contacto con su proveedor para que Bodypoint® realice las reparaciones adecuadas o su reemplazo. Ninguna persona no calificada debe alterar o reparar el producto bajo ninguna circunstancia.

GARANTÍA

Este producto cuenta con una garantía limitada de por vida debido a defectos de fabricación y de los materiales, que surjan del uso normal por parte del consumidor original. Póngase en contacto con su proveedor o con Bodypoint® por reclamos amparados por la garantía. Para obtener más información acerca de los productos Bodypoint®, así como datos sobre distribuidores fuera de los EE. UU., visite www.bodypoint.com.



Bodypoint®

558 1st Avenue South
Suite 300
Seattle, WA 98104, USA



Bodypoint Europe BV
Kerkstraat 29
7396 PG Terwolde, NL



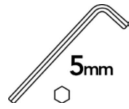
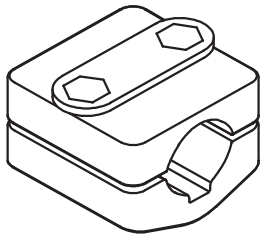
206.405.4555
800.547.5715



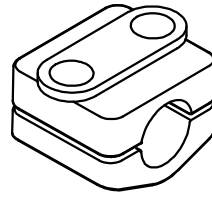
www.bodypoint.com



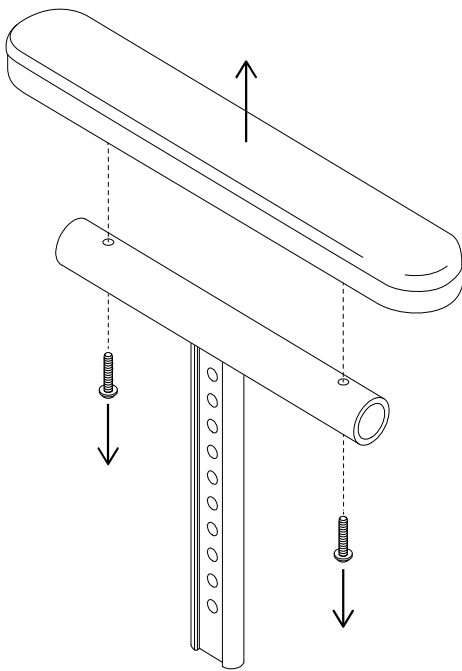
AS118



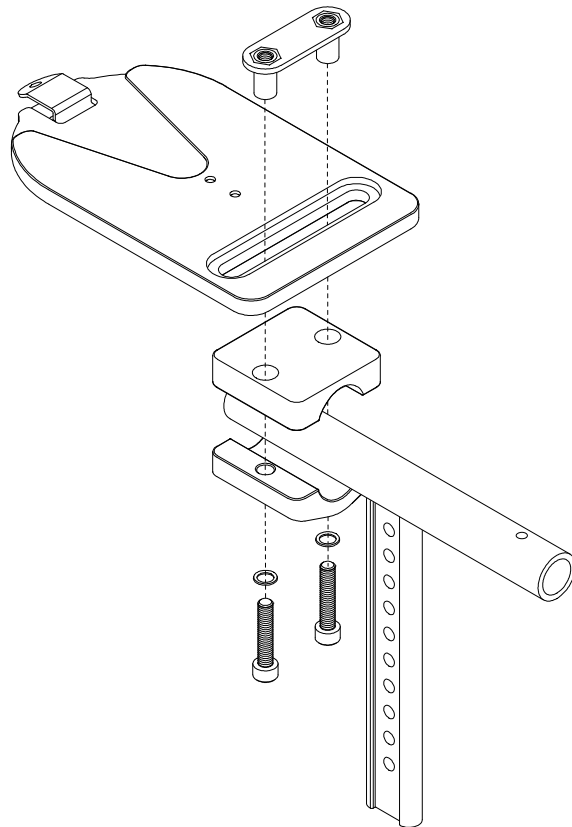
AS119



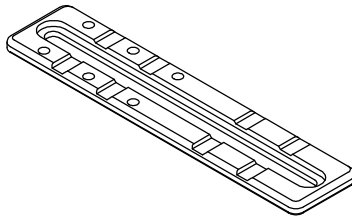
1



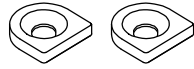
2



AS120



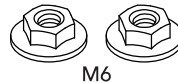
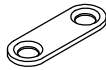
M6x20m



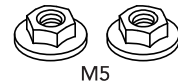
M6x35mm



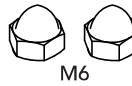
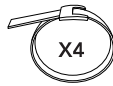
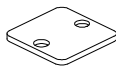
M5x35mm



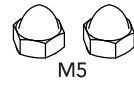
M6



M5



M6



M5



10mm



8mm

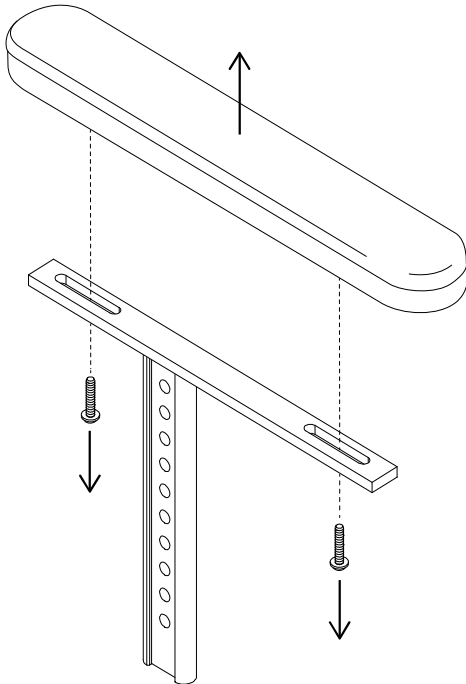


4mm

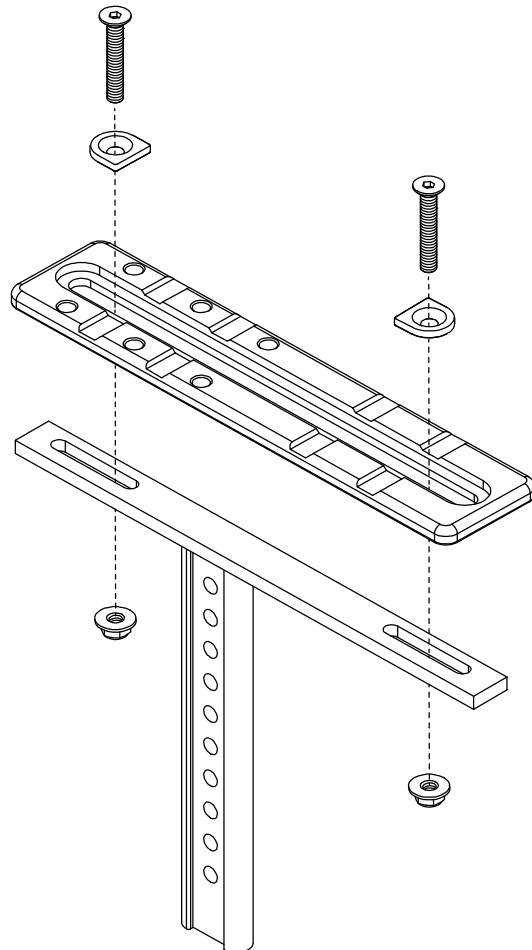


3mm

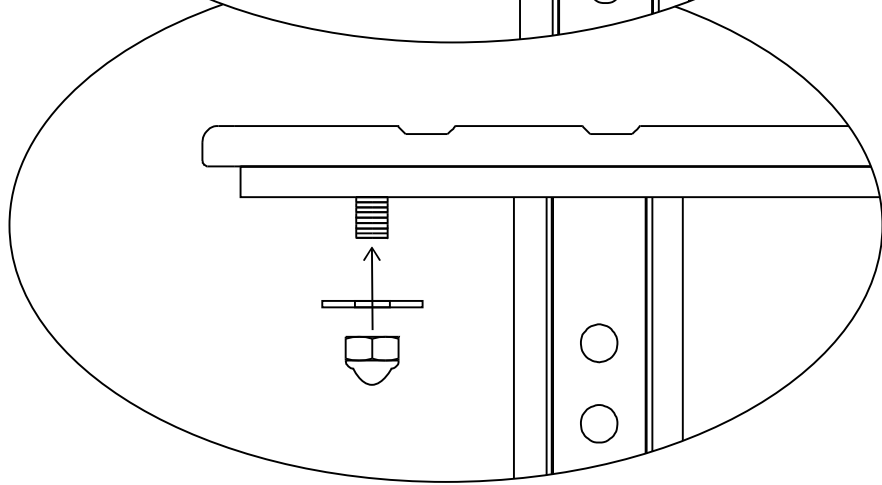
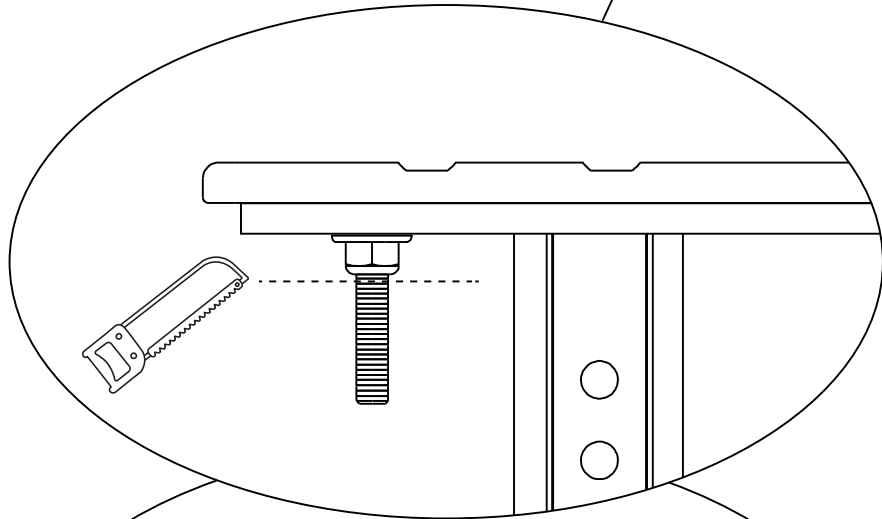
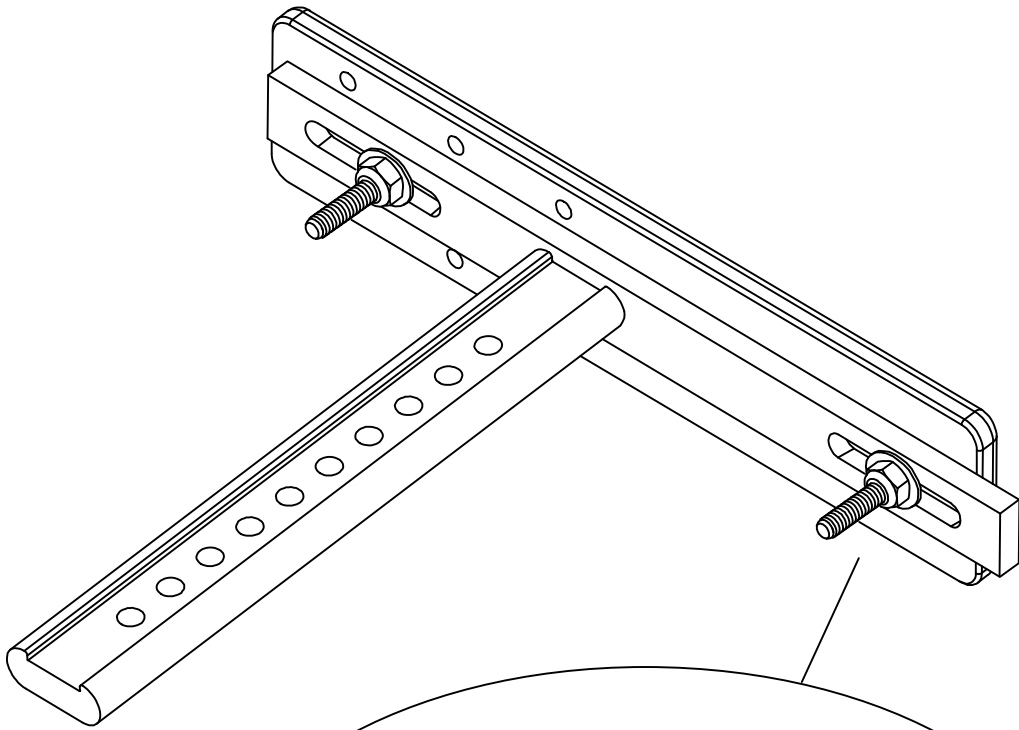
1



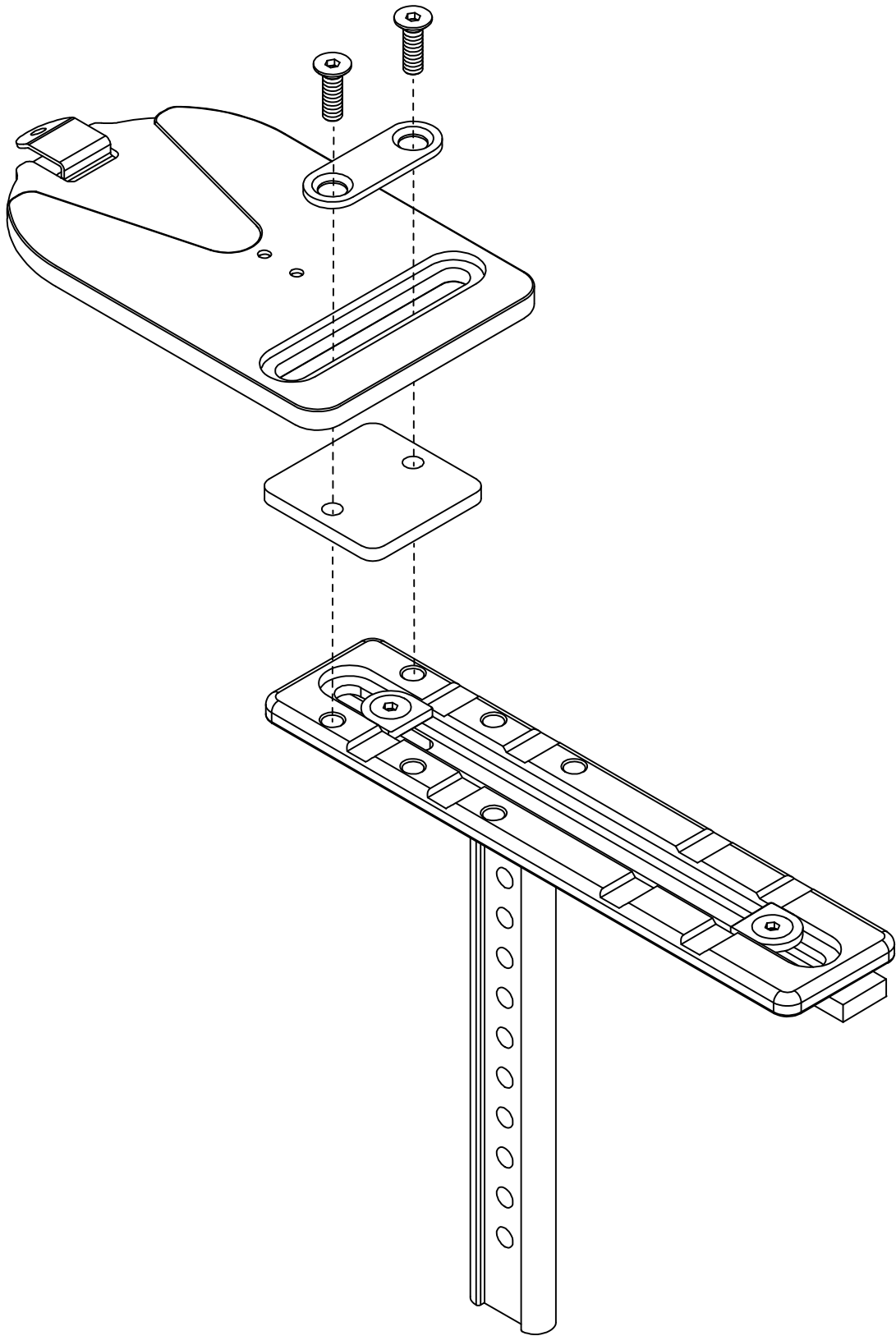
2

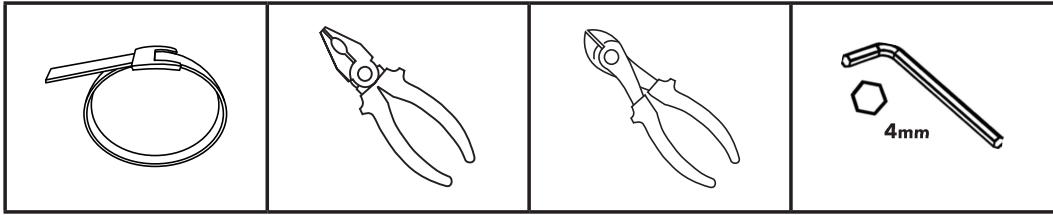


3

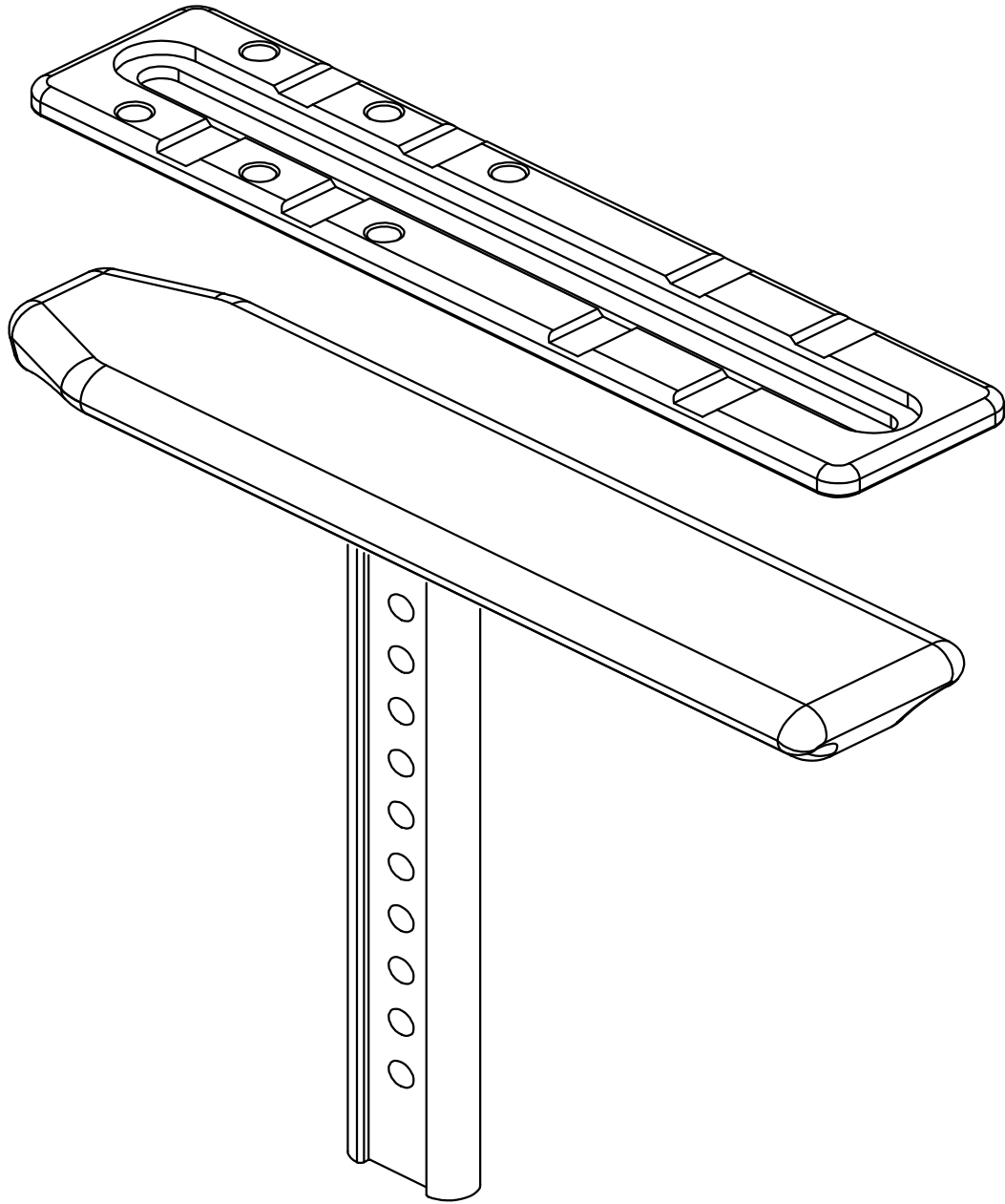


4

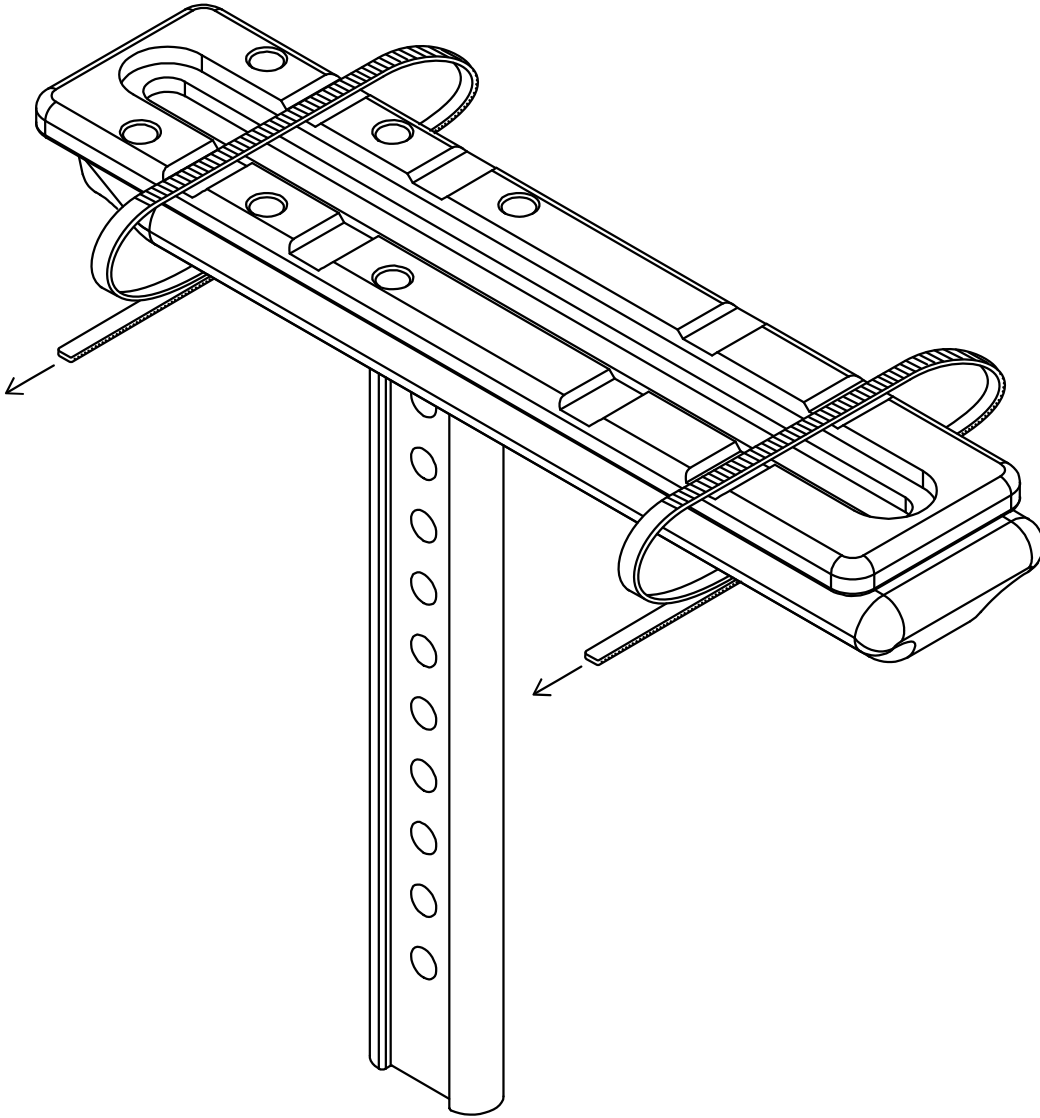




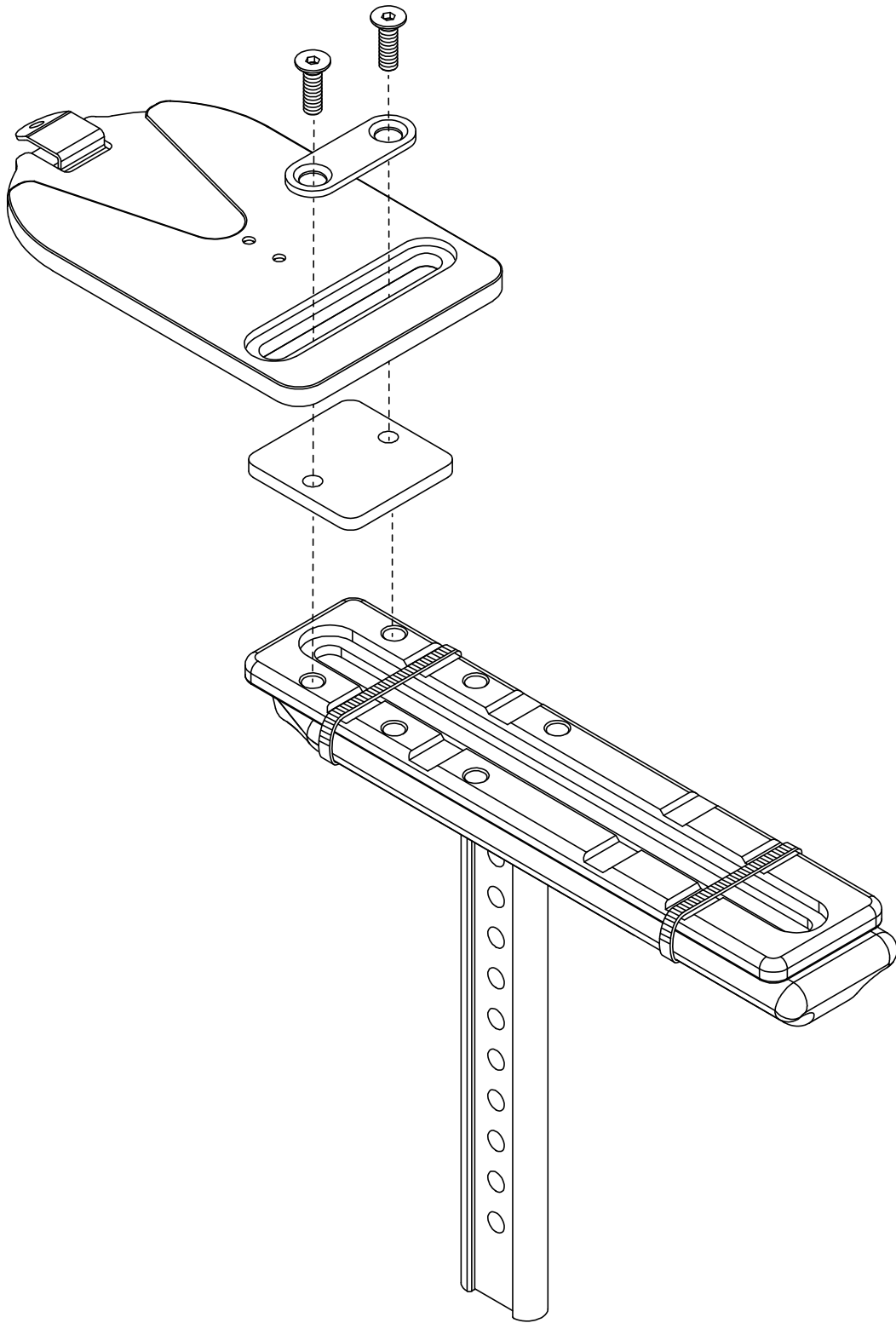
1



2



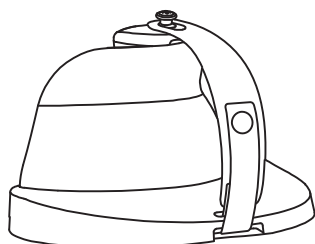
3



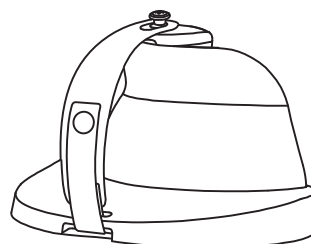
dynamiskt armstöd

FÖRPACKNINGENS INNEHÅLL

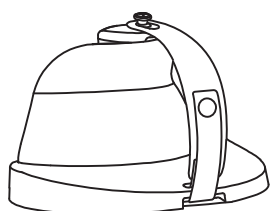
ART NOS.: AS001



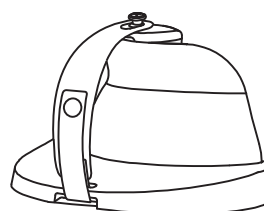
AS116L



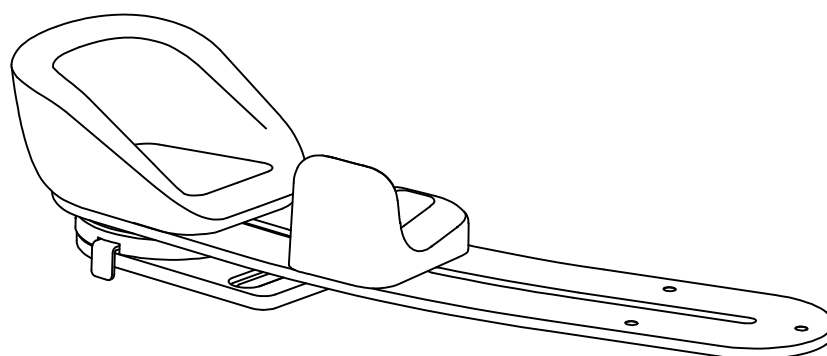
AS116R



AS115L



AS115R

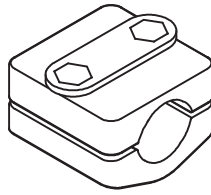


AS200R



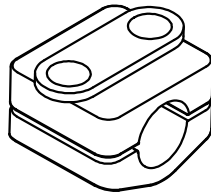
Bodypoint®

558 1st Avenue South
Suite 300
Seattle, WA 98104, USABodypoint Europe BV
Kerkstraat 29
7396 PG Terwolde, NL206.405.4555
800.547.5715www.bodypoint.com



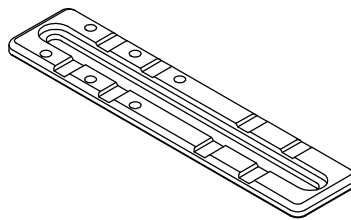
AS118

Ø22/25mm [7/8"/1"]



AS119

Ø19mm [3/4"]



 M6x20mm			 M5x35mm
 M6x35mm			 M5
 M6	 M5	 M6	 X4

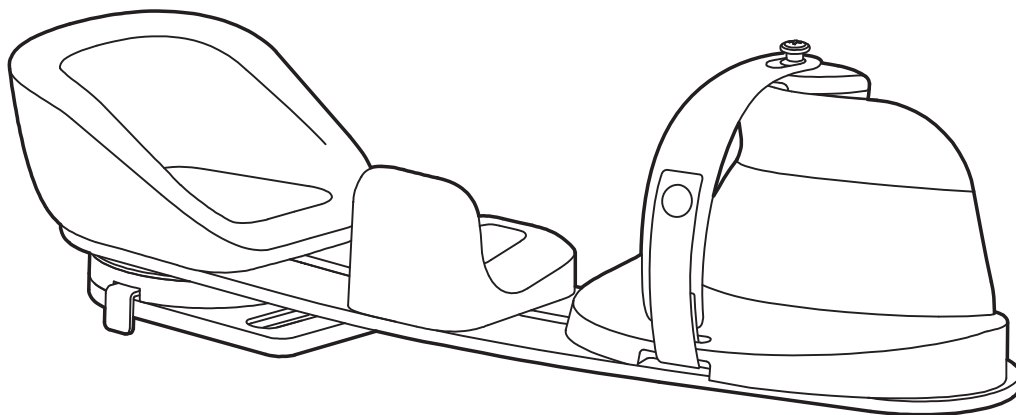
AS120

dynamiskt armstöd

ART NR: AS201L, AS201R, AS202L, AS202R, AS200L, AS200R

INSTALLATION OCH ANVÄNDARINSTRUKTIONER

Dessa instruktioner ger viktig information för säker användning och underhåll av Bodypoint® Arm Supports. Ge dessa instruktioner till användaren eller vårdgivaren eller ansvarig personal.



AVSEDD ANVÄNDNING:

Dynamic Arm Support är ett dynamiskt, mobilt stöd för armbåge, underarm och hand som fästs på en manuell eller elrullstol. Den ger stöd för övre extremiteter, funktionellt dynamiskt rörelseomfång vid axeln och ett innovativt, flexibelt handstöd som främjar handens funktion och hjälper till att minimera flexortonus och kontrakturer.

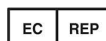
Denna produkt innehåller flyttbara komponenter som kan justeras för en skräddarsydd ortospassform. En svängbar mekanism tillåter användare att träna axeln i ett funktionellt, dynamiskt rörelseomfång. Det flexibla handstödet hjälper till att positionera handleden, handen och fingrarna i neutral riktning och minimera flexortonus och kontrakturer.

Denna produkt är designad för att monteras på flera olika rullstolsmodeller med höjjusterbara armstöd och kan enkelt tas bort vid förflyttning genom att använda quick-release funktionen. För att säkerställa bästa kliniska resultat bör användare rådgöra med en kvalificerad sjukvårdspersonal innan produkten används.



BP Bodypoint®

558 1st Avenue South
Suite 300
Seattle, WA 98104, USA



Bodypoint Europe BV
Kerkstraat 29
7396 PG Terwolde, NL



206.405.4555
800.547.5715



www.bodypoint.com



⚠️ VARNING! Denna produkt bör installeras och monteras av en kvalificerad reabilitations tekniker.

⚠️ VARNING! Denna produkt ska endast användas för att placera en persons armar i en rullstol. Missbruk av denna produkt är otillåten och osäker.

⚠️ VARNING! Användarens arm måste placeras korrekt i armstödet. Ett dåligt justerat armstöd kan tillåta användarens arm att glida ut och förskjuta axeln eller förvärpa handens flexor tonus. Låt din terapeut eller tekniker demonstrera dess korrekta justering och användning.

⚠️ VARNING! Om användarens fysiska eller kognitiva förmågor hindrar hen från att använda denna produkt på ett säkert sätt, måste en vårdgivare alltid vara närvarande under användningen. Se till att alla vårdgivare vet hur man använder produkten korrekt.

⚠️ VARNING! Den här produkten kan förändra hur en person sitter. Fortsätt att träna regelbundna tryckavlastningsaktiviteter och hudintegritetskontroller. Om ökad hudrodnad eller irritation uppstår, sluta använda och

rådfråga kvalificerade sjukvårdspersonal.

⚠️ VARNING! Övervaka alltid användaren när Svängplattan är olåst för att rotera. Svängplattan ska alltid vara låst när du kör rullstolen eller transporterar den i ett fordon för att förhindra skador eller personskador som kan bli följden av att träffa dörröppningar eller andra hinder nära sidan av stolen.

⚠️ VARNING! Vid montering, kontrollera att armstödet är ordentligt låst i Quick-Release adapterplattan. Installatören bör höra ett "klick"-ljud.

⚠️ VARNING! Om en allvarlig incident inträffar relaterad till användningen av denna produkt, bör den rapporteras till tillverkaren (Bodypoint, Inc.) och den lokala behöriga myndigheten.

⚠️ VARNING! Det är säkrast att ta sig ut ur rullstolen och sätta sig i ett tillverkarproducerat fordonssäte och att använda fordonets krocktestade fasthållningssystem. Om lämplig fasthållningsutrustning inte används i fordonet kan det leda till allvarliga skador eller dödsfall.

PERIODISKA SÄKERHETS- OCH PRESTANDAKONTROLLER:

För att säkerställa användarens säkerhet måste denna produkt kontrolleras regelbundet för funktion och tecken på slitage. Om produkten inte fungerar korrekt eller om betydande slitage upptäcks på delarna, sluta använda den och kontakta din leverantör för kvalificerad reparation eller utbyte av Bodypoint®. Denna produkt får under inga omständigheter ändras eller repareras av okvalificerade personer.

RENGÖRING:

Denna produkt kan rengöras genom att torka av med desinfektionsmedel eller en trasa med varmt vatten och tvål. Torka med handduk eller lufttorka. Ett mildt desinfektionsmedel kan appliceras på ytan. För rengöring av handremmen, maskintvätt, varm, 60 °C (140 °F). Blek inte. Torktumla, låg temperatur eller dropptorka. Stryk inte.


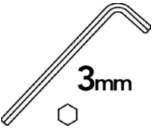
SKROT/KASSERING:

Denna produkt är gjord av material som kan kasseras på ett säkert sätt utan särskilda försiktighetsåtgärder vid slutet av dess livslängd.

GARANTI:

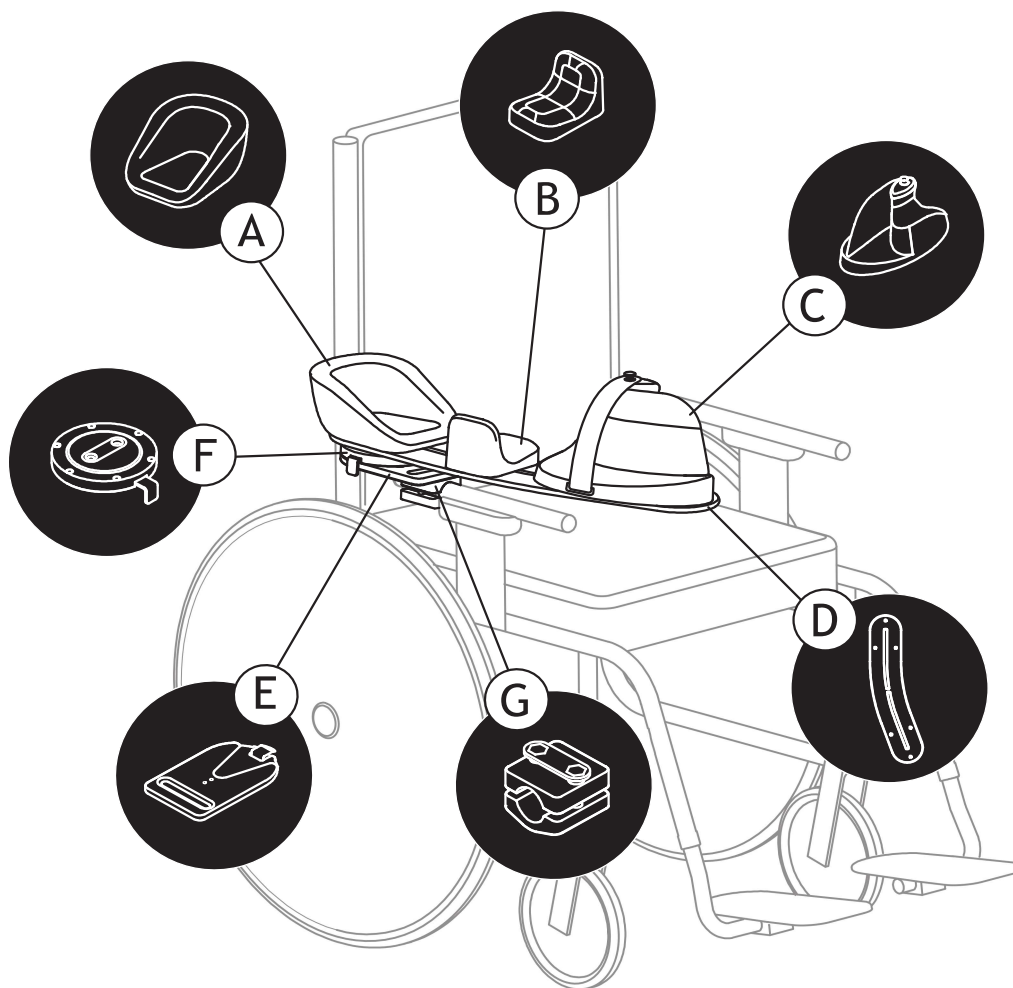
Denna produkt har en begränsad livstidsgaranti mot defekter i utförande och material som uppstår vid normal användning av den ursprungliga användaren. Kontakta din leverantör eller Bodypoint® för garantianspråk. För mer information om Bodypoint®-produkter och information om distributörer utanför USA, gå till www.bodypoint.com.

VERKTYG SOM KRÄVS

4 mm insexnyckel	3 mm insexnyckel För valfri finjustering Quick-Release-spärren
	

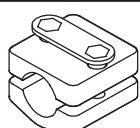
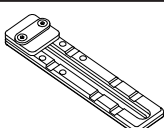
FÖRPACKNINGENS INNEHÅLL

A	B	C	D	E	F
Armbågsdyna	Underarmsdyna	Handstöd med med	Basplatta	Quick-Release Adapterplatta	Svängplatta

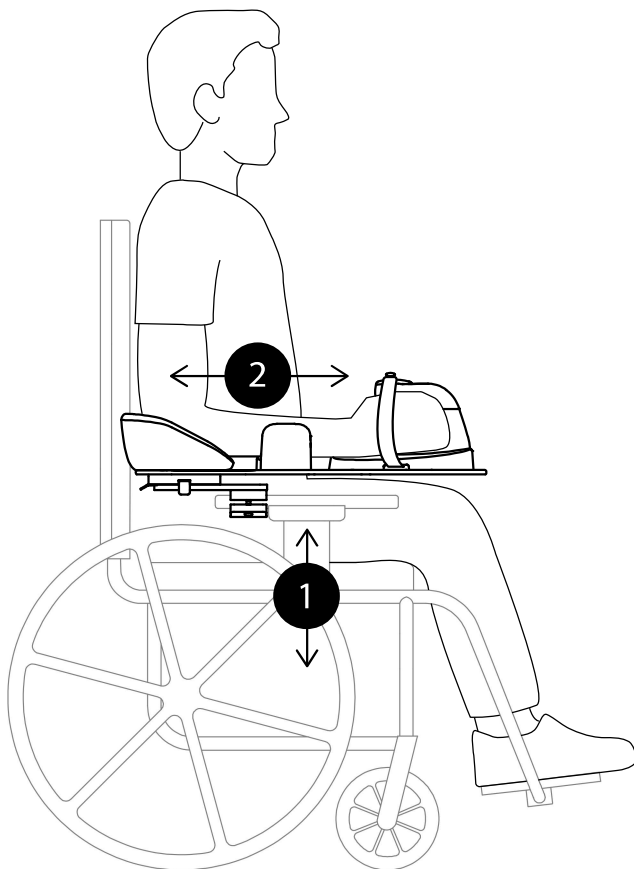


FÄSTDETALJER FÖR MONTERING

KLÄMMA ELLER PLATTA ÄR TILLVAL OCH SÄLJS SEPARAT
MONTERINGSKLÄMMA ARMSTÖD VISAS OVAN

G	H
Monteringsklämmor Armstöd Kompatibel med Ø19 mm [3/4"] eller Ø22/25 mm [7/8"/1"] runda armstödsrör	Monteringsplatta Armstöd Kompatibel med plana armstöd
	

PLACERING AV ARMSTÖDET FÖR ANVÄNDAREN



1. Höjd

Användning av ett höj- och sänkbart armstöd rekommenderas för optimal positionering.

Justera höjden på armstödet för att stödja armbågen för jämn tryckfördelning av armen utan att lyfta axeln.

2. Djup

För att justera armstödet framåt eller bakåt, lossa skruvarna vid armstödet fäst detaljer.

Skjut armstödet framåt eller bakåt på armstödet till rätt läge.

För mer information se:
"Ytterligare finjustering av Svängplattan, Ytterligare djupjusteringar."

3. Sidled

För att justera armstödet närmare eller längre bort från användaren, lossa skruvarna som fäster Quick-Release Adapter Plattan till armstödet fäst detaljer.

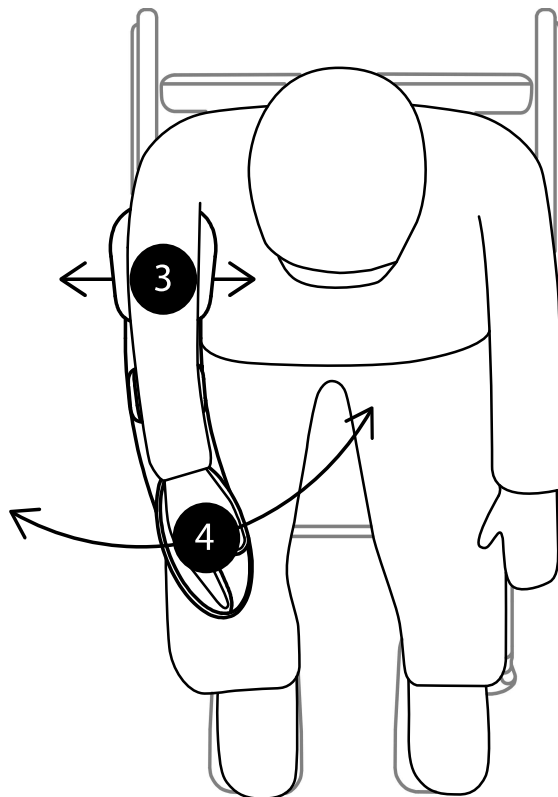
Skjut armstödet inåt eller utåt och dra åt båda skruvarna ordentligt igen.

4. Vinkel

Svängplattan tillåter 60° intervall för intern till extern rotation. För att välja vinkel på armstödet, dra ut Svängplattans spak och placera armstödet.

Tryck in Svängplattans spak för att låsa i önskad vinkel i steg om 5°.

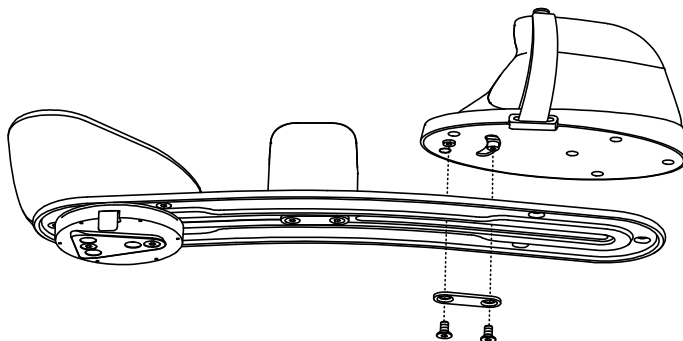
För mer information se: "Ytterligare fininställning av vängplattan, ytterligare inre och externa rotationsgränser."



MONTERING AV ARMSTÖD

Före montering, ta bort Quick-release mottagaren från armstödet. För mer information se: "ANVÄNDA QUICK-RELEASE ADAPTERPLATTAN."

1. Montera Quick-Release-mottagaren på rullstolens armstöd med hjälp av Tillvalen Fästdetaljer för montering av armstöd. Dra åt monteringskruvarna löst för att möjliggöra justering. Se instruktioner som medföljer tillvalen fästdetaljer för montering av armstöd för detaljer.

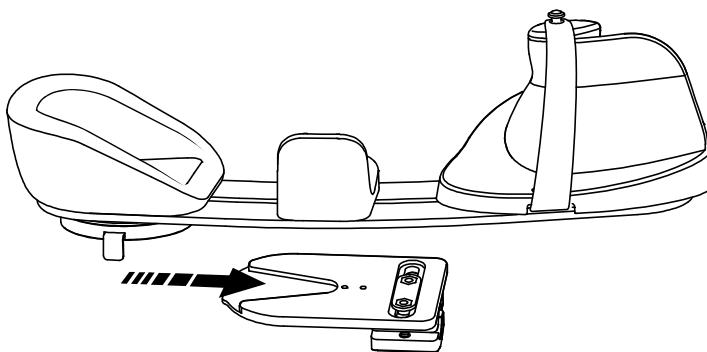


2. Montera Handstödet på Basplattan med hjälp av brickan och de medföljande M6-skruvarna (2).

Obs: Dra inte åt skruvarna helt förrän de sista justeringarna har gjorts för att passa användaren.

3. Skjut in armstödet i Quick-Release Adapterplattan - Quick-Release Spärren ska låsas med ett hörbart "klick!"

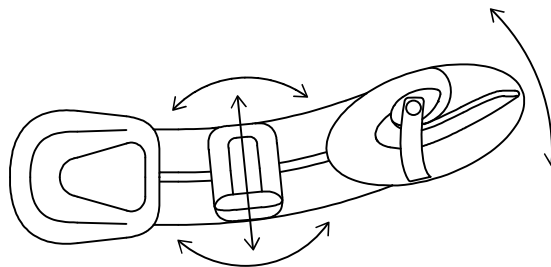
Obs: Quick-Release Spärren kan justeras för att ta bort glapp genom att lossa M5-skruvarna (2) på undersidan med en 3 mm insexnyckel. Tryck Quick-Release Spärren hårt mot den bakre kanten av snabbkopplingskilen samtidigt som du drar åt skruvarna för att säkra den på plats.



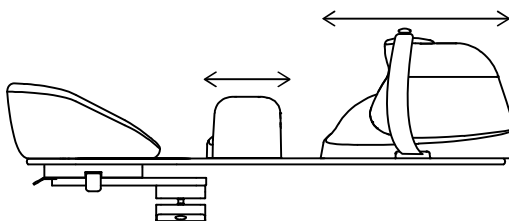
JUSTERING AV UNDERARMS-DYNA OCH HANDSTÖD

Börja med att placera användarens armbåge i Armbågs-dynan.

För att justera Handstödet, lossa M6-skruvarna (2) och skjut Handstödet längs Basplattan för att förhindra förskjutning av användarens underarm. Dra åt den bakre skruven tills den sitter åt, justera sedan vinkeln på Handstödet 0-30° för att korrekt positionera handen och handleden. Dra åt båda skruvarna helt för att säkra handblocket på plats.



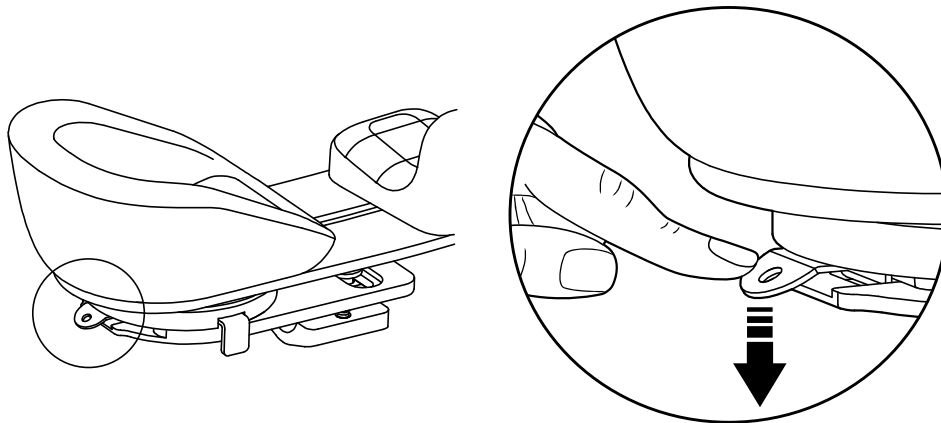
För att justera Underarms-dynan, lossa M6-skruvarna (2) och skjut Underarms-dynan längs Basplattan för att anpassa användarens arm bakom handleden. Den kan justeras in eller ut, roteras eller installeras i motsatt riktning för att stödja eller begränsa armrörelser. Dra åt skruvarna igen.



ANVÄNDNING AV QUICK-RELEASE ADAPTERPLATTAN

Tryck ner Quick-Release Spärren för att låsa upp för borttagning.

För att återinstallera, skjut in Armstödet i Quick-release mottagaren tills det låses med ett hörbart "klick!"

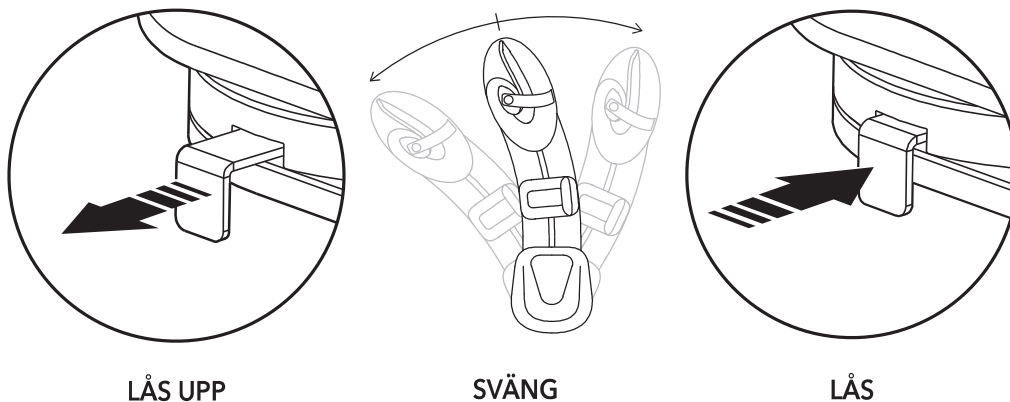


LÅSNING/UPPLÅSNING AV SVÄNGPLATTAN

Armstödet kan låsas upp för att möjliggöra dynamisk rörelse eller låsas för att bibehålla en fast armposition.

För att låsa upp, dra ut Svängplattans spak. Armstödet kan nu rotera fritt från insida till utsida med ett intervall på 60° internt till yttre.

För att låsa, tryck in Svängplattans spak. Armstödet kan låsas i 5-graderssteg.



LÅS UPP

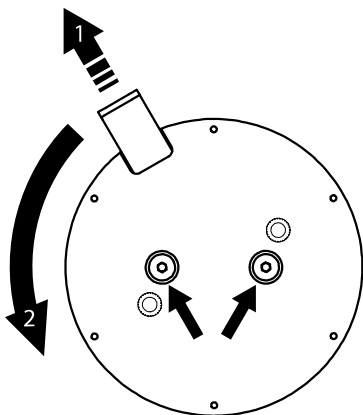
SVÄNG

LÅS

⚠️VARNING! Övervaka alltid användaren när Svängplattan är olåst för att rotera. Svängplattan ska alltid vara låst när du kör rullstolen eller transporterar den i ett fordon för att förhindra skador eller personskador som kan bli följden av att träffa dörröppningar eller andra hinder nära sidan av stolen.

YTTERLIGARE FINJUSTERING AV SVÄNGPLATTAN

YTTERLIGARE DJUPJUSTERINGAR



Ytterligare justeringar kan göras genom att flytta Svängplattan upp till 20 mm framåt på Basplattan.

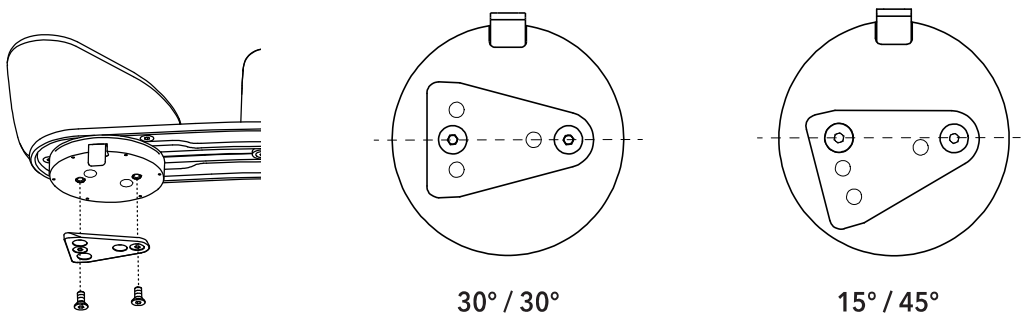
För att komma åt monteringskruvarna, ta bort Quick-Release trekanten och dra ut Svängplattans spak flik för att låsa upp och rotera den tills M6-monteringskruvarna är synliga genom de två åtkomsthålen.

Lossa båda skruvarna för att skjuta Svängplattan framåt, dra sedan åt båda skruvarna helt igen och sätt tillbaka Quick-Release trekanten.

YTTERLIGARE INTERN OCH EXTERN ROTATIONSGRÄNS

Standardinställningen för Svängplattan tillåter 30° intern/30° extern rotation från neutralläget (i linje med stolens armstöd). Detta ger samma funktion oavsett om den är installerad på höger eller vänster sida.

Vissa användare har möjlighet till ett större omfång av intern armrotation, vilket kan hanteras genom att ompositionera Quick-Release trekanten på botten av Svängplattan för att tillåta 45° intern / 15° extern rotation.



SÄKERHETS- OCH PRESTANDAKONTROLLER

Användaren måste sitta i rullstol innan säkerhetskontrollen utförs.

1. NORMAL ANVÄNDNING

Kontrollera om det finns några klämpunkter eller lösa delar.

2. KOMFORT

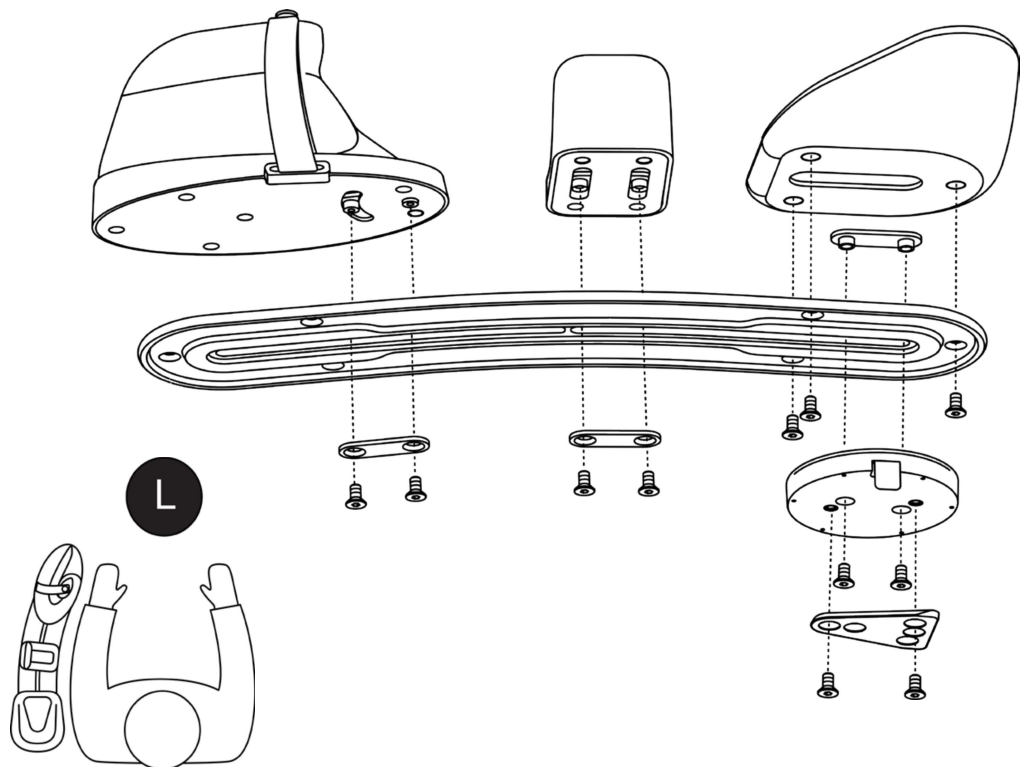
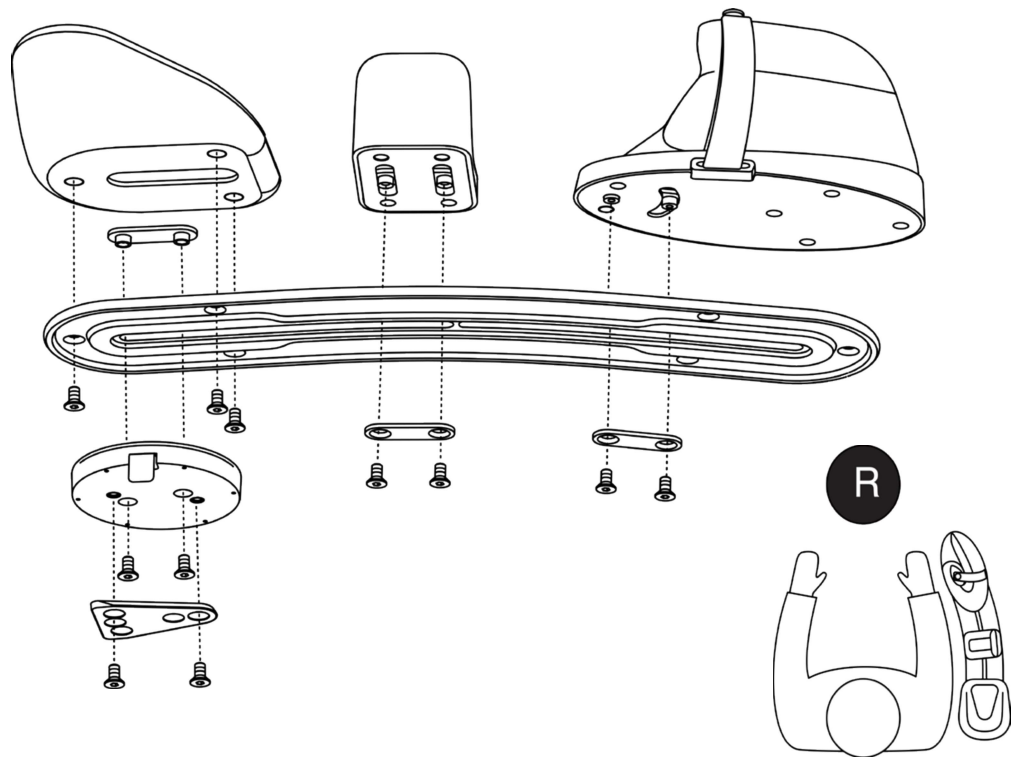
Leta efter områden med irritation.

3. POSITION

Bekräfta korrekt position av användarens överkropp och axlar.

4. YTTERLIGARE INFORMATION

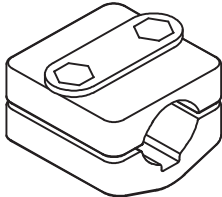
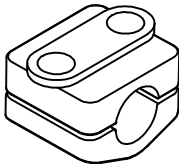
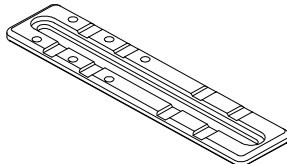
Flytta stolen genom hela rörelseområdet, inklusive lutning, hopfällning och rullning, och kontrollera eventuella hinder och justera armstödet vid behov.



dynamiskt armstöd

INSTALLATION: FÄSTDETALJER FÖR MONTERING

ART NOS.: AS118, AS119, AS120

		
AS118	AS119	AS120
Monteringsklämmor Armstöd	Monteringsklämmor Armstöd	Monteringsplatta Armstöd
Kompatibel med Ø22/25 mm [7/8"/1"] runda armstödsrör	Kompatibel med Ø19 mm [3/4"] runda armstödsrör	Kompatibel med plana armstöd

⚠️ VARNING! Denna produkt bör installeras och monteras av en kvalificerad rehabtekniker.

⚠️ VARNING! Vid montering, kontrollera att armstödet är ordentligt låst i Quick-Release adapterplattan. Installatören bör höra ett "klick"-ljud.

⚠️ VARNING! Om en allvarlig incident inträffar relaterad till användningen av denna produkt, bör den rapporteras till tillverkaren (Bodypoint, Inc.) och den lokala behöriga myndigheten.

PERIODISKA SÄKERHETS- OCH PRESTANDAKONTROLLER

För att säkerställa användarens säkerhet måste denna produkt kontrolleras regelbundet för funktion och tecken på slitage. Om produkten inte fungerar korrekt eller om betydande slitage upptäcks på delarna, sluta använda den och kontakta din leverantör för kvalificerad reparation eller utbyte av Bodypoint®. Denna produkt får under inga omständigheter ändras eller repareras av okvalificerade personer.

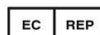
GARANTI

Denna produkt har en begränsad livstidsgaranti mot defekter i utförande och material som uppstår vid normal användning av den ursprungliga användaren. Kontakta din leverantör eller Bodypoint® för garantianspråk. För mer information om Bodypoint®-produkter och information om distributörer utanför USA, gå till www.bodypoint.com.



BP Bodypoint®

558 1st Avenue South
Suite 300
Seattle, WA 98104, USA



Bodypoint Europe BV
Kerkstraat 29
7396 PG Terwolde, NL



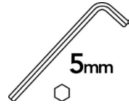
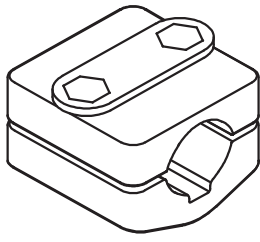
206.405.4555
800.547.5715



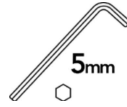
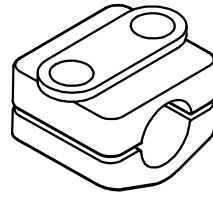
www.bodypoint.com



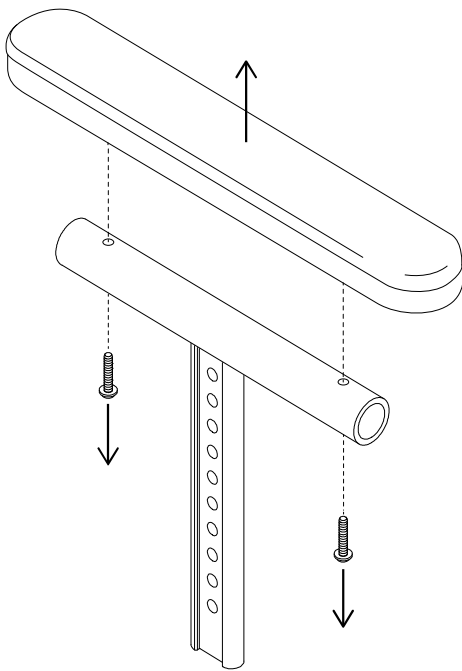
AS118



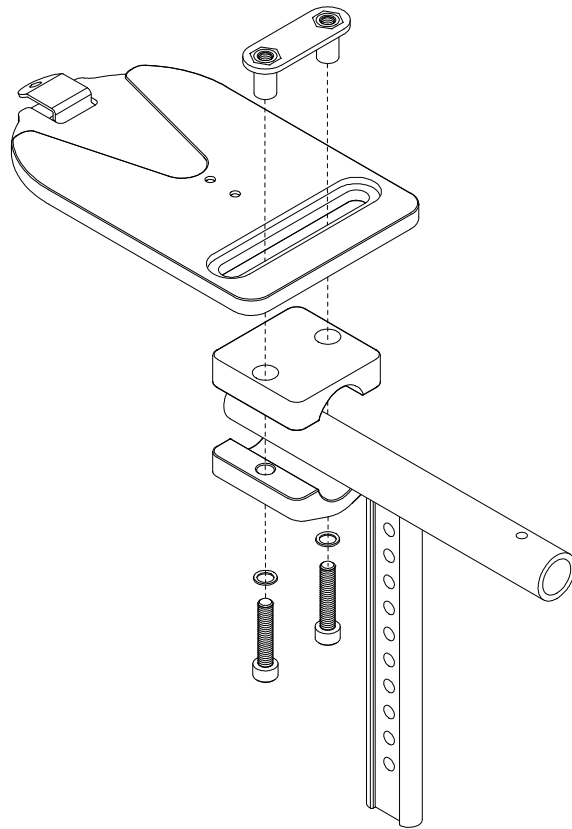
AS119



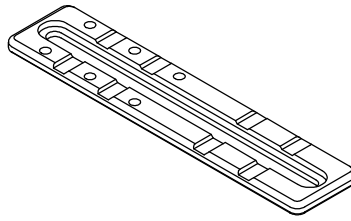
1


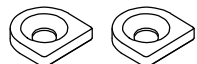


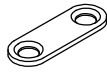

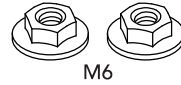
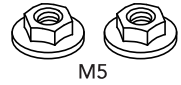
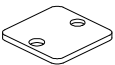






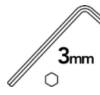


2

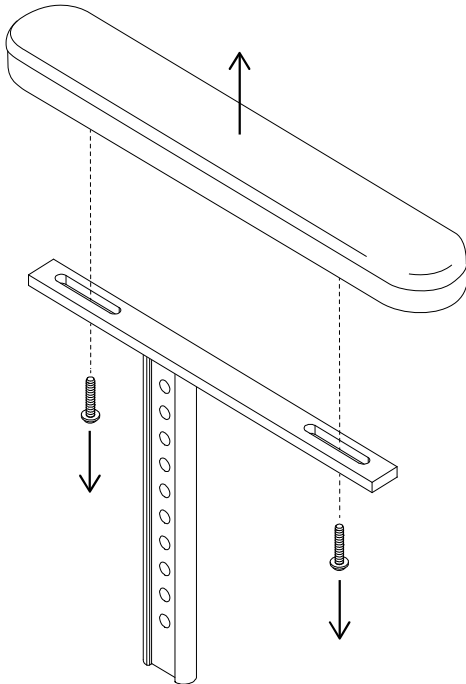


AS120

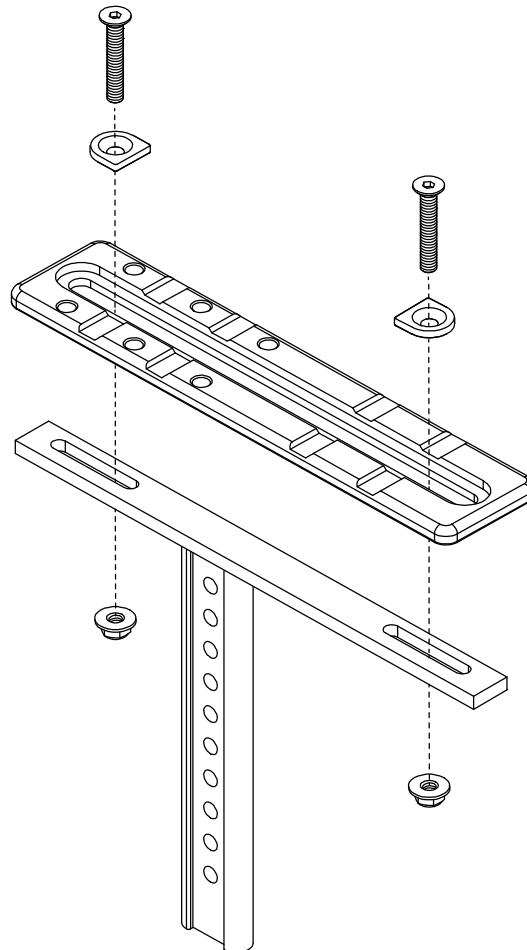


 M6x20m		 M6x35mm	 M5x35mm
		 M6	 M5
	 X4	 M6	 M5
 10mm	 8mm	 4mm	 3mm

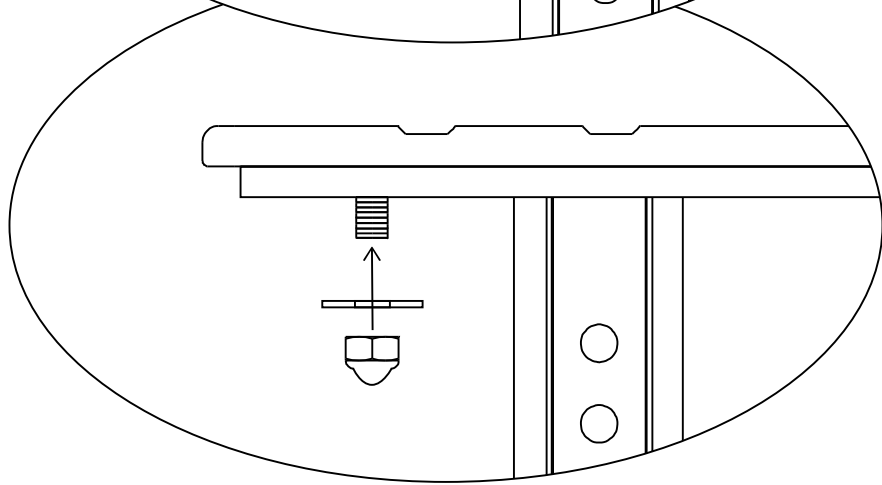
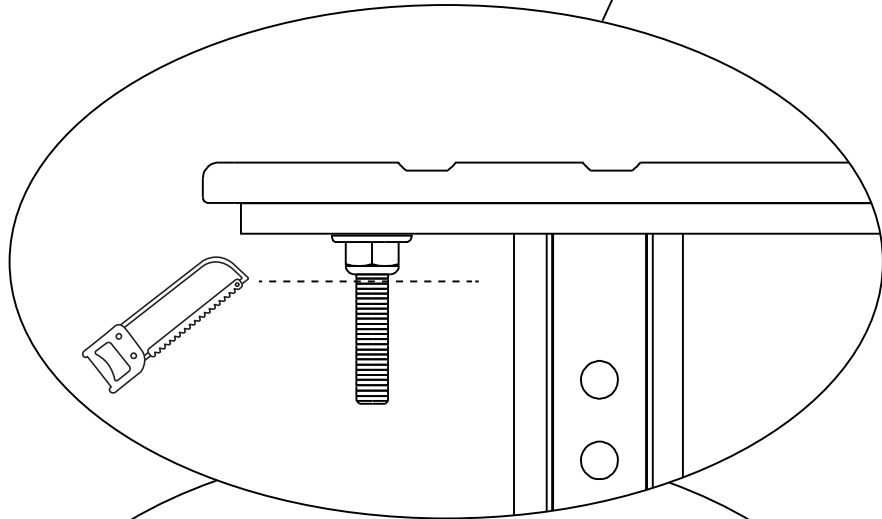
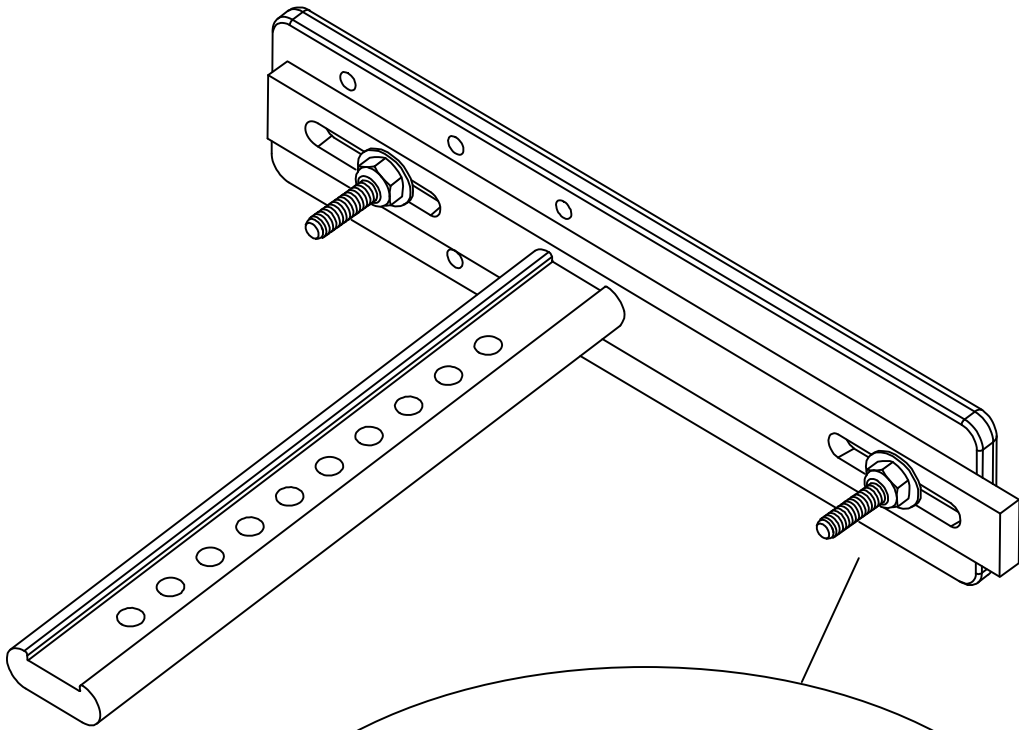
1



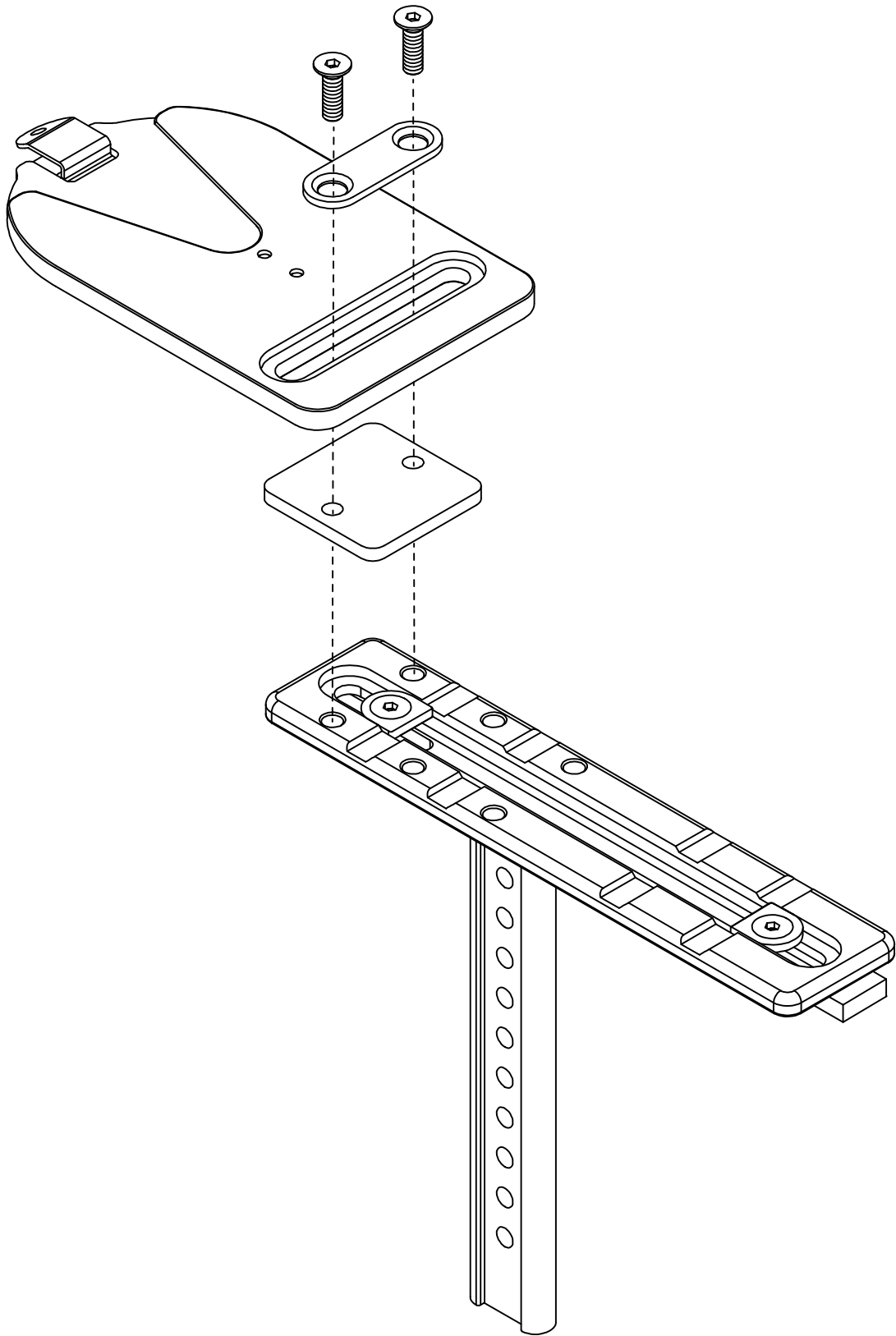
2

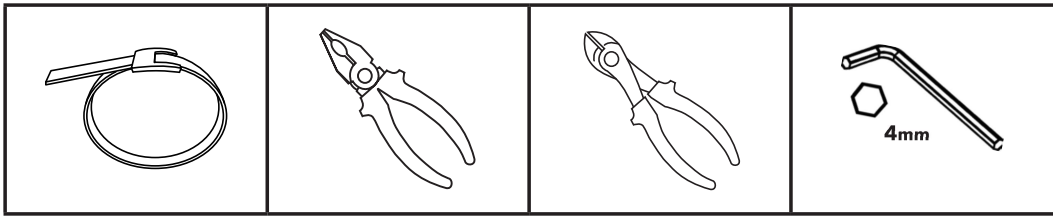


3

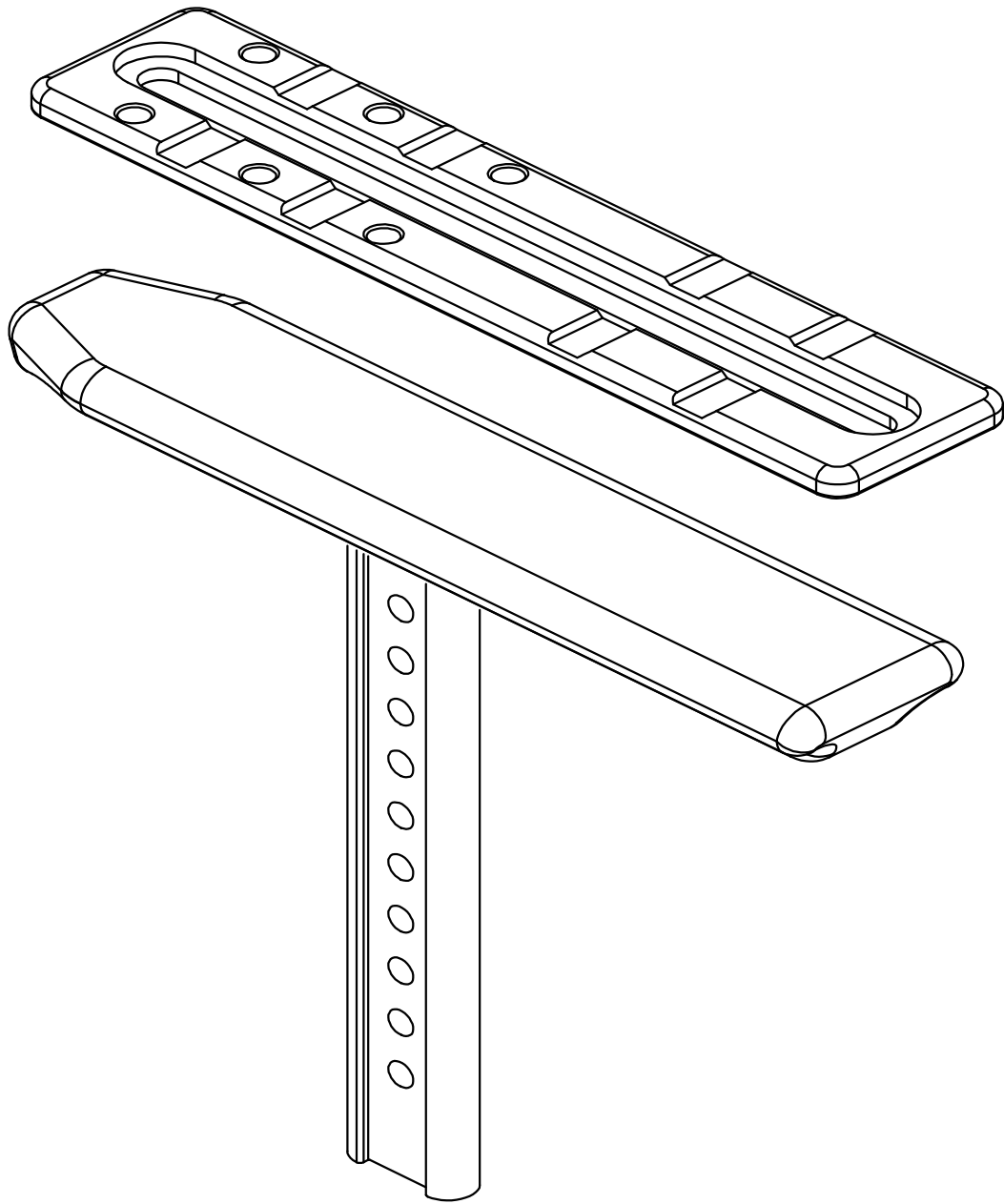


4

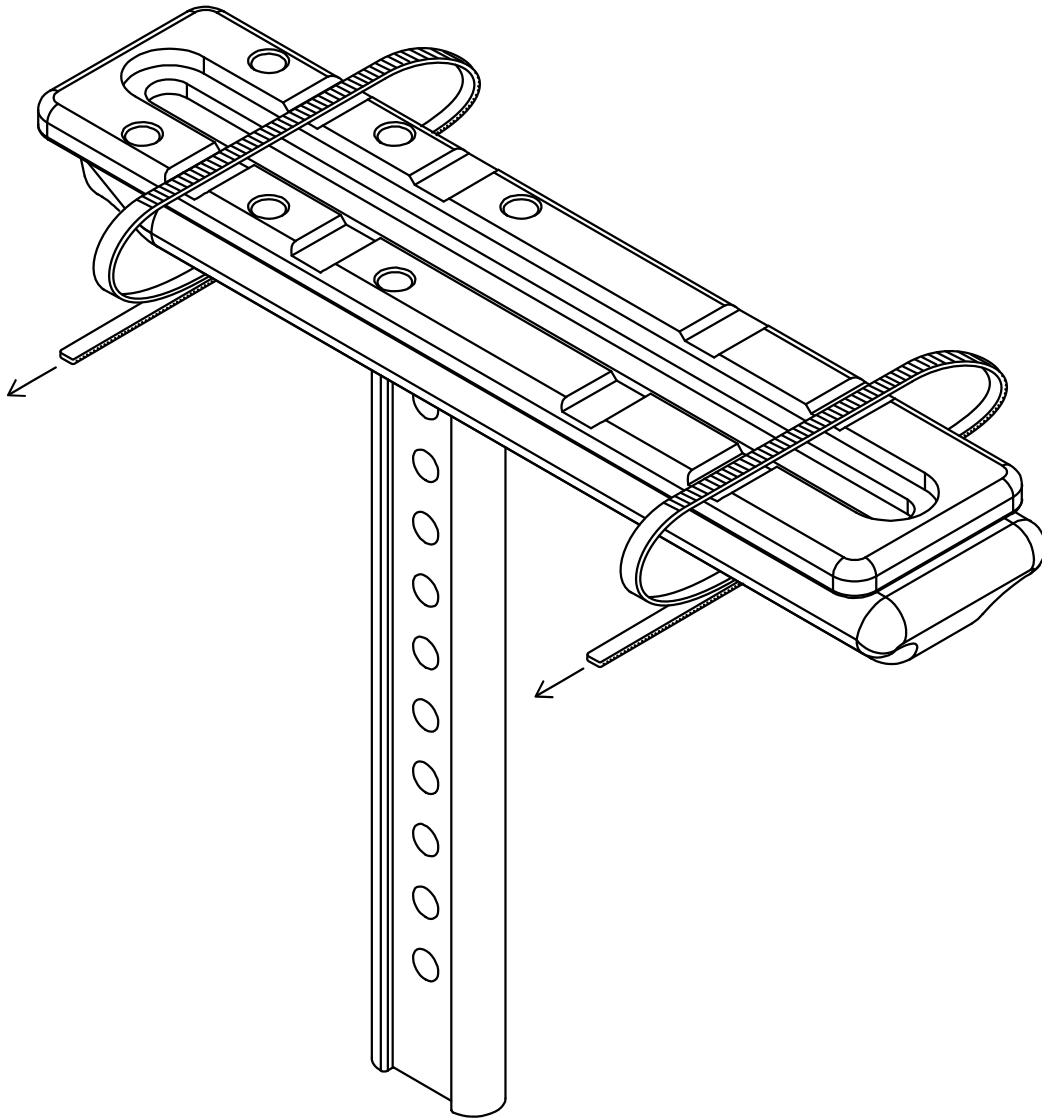




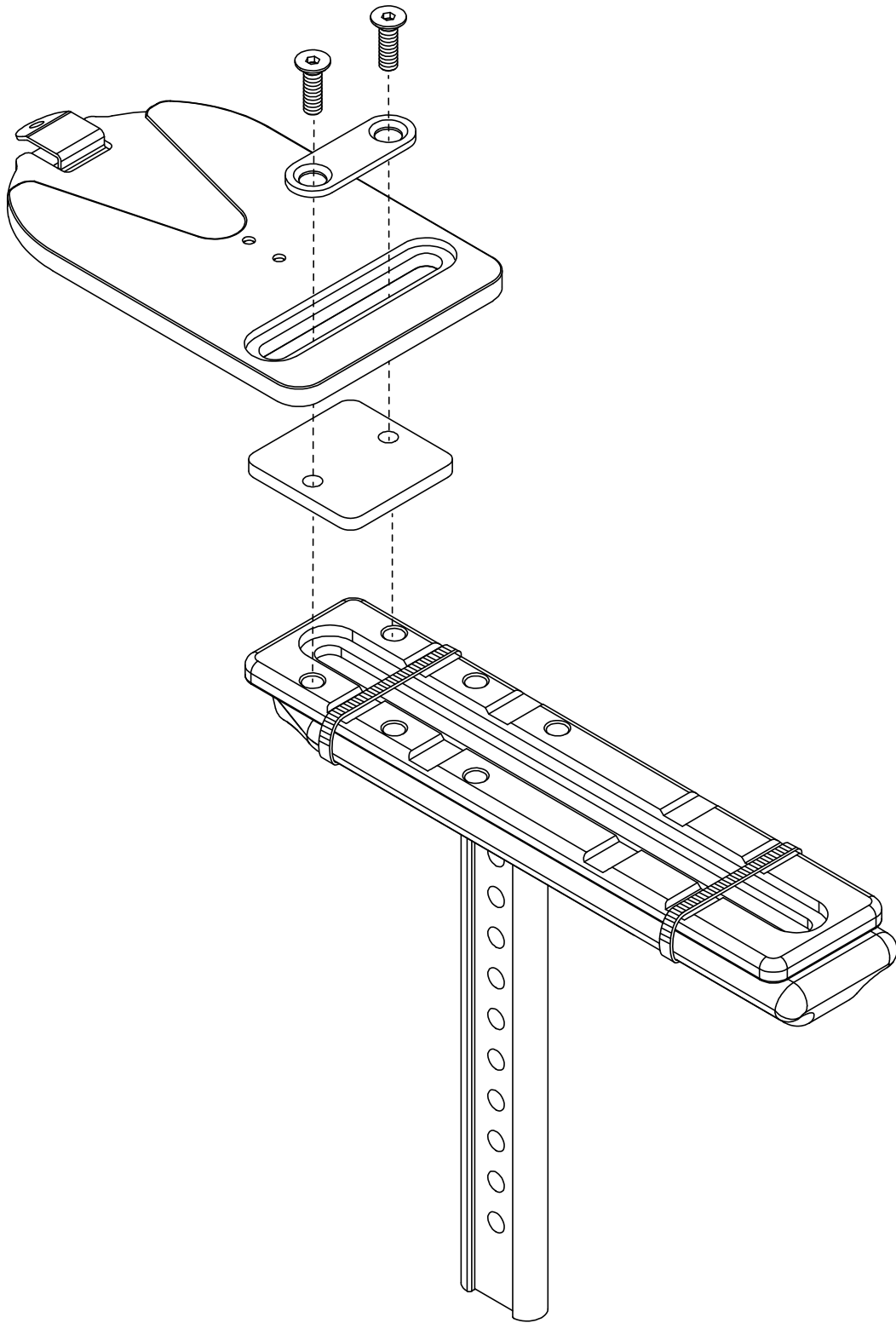
1



2



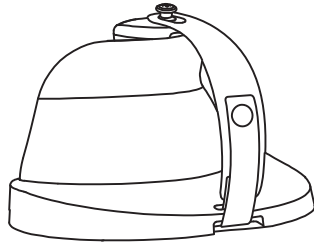
3



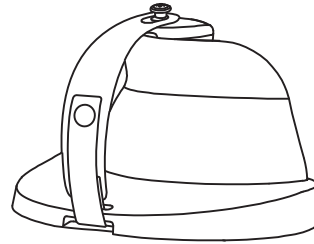
Dynamische Armsteun

INHOUD VAN HET PAKKET

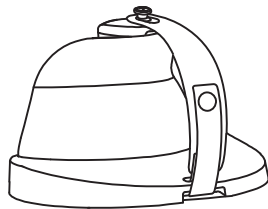
ART NOS.: AS001



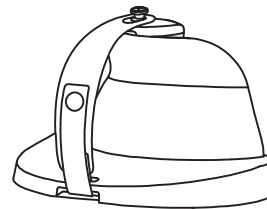
AS116L



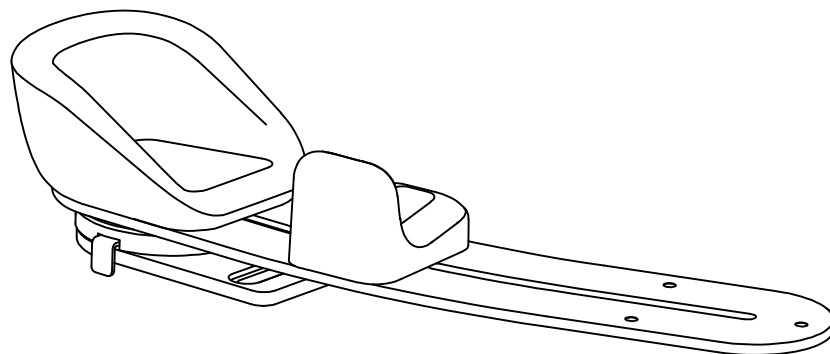
AS116R



AS115L



AS115R



AS200R



BP Bodypoint®

558 1st Avenue South
Suite 300
Seattle, WA 98104, USA

EC REP

Bodypoint Europe BV
Kerkstraat 29
7396 PG Terwolde, NL

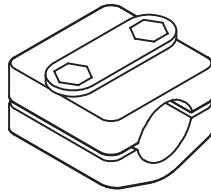


206.405.4555
800.547.5715



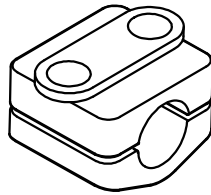
www.bodypoint.com





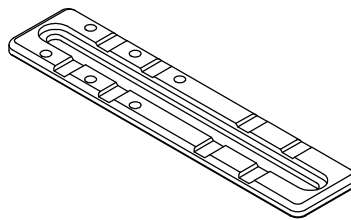
AS118

Ø22/25mm [7/8"/1"]



AS119

Ø19mm [3/4"]



 M6x20mm			 M5x35mm
 M6x35mm			 M5
 M6	 M5	 M6	 X4

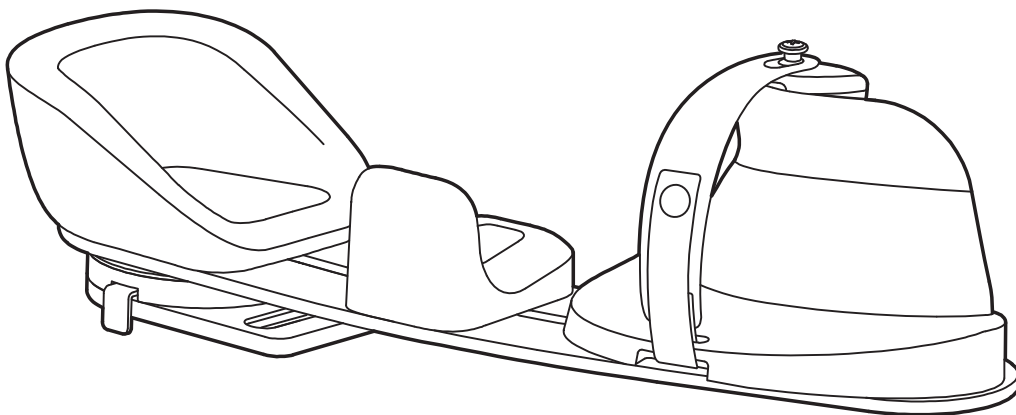
AS120

Dynamische Armsteun

ART NRS.: AS201L, AS201R, AS202L, AS202R, AS200L, AS200R

INSTALLATIE- EN GEBRUIKERSVOORSCHRIFTEN

Deze gebruiksaanwijzing bevat belangrijke informatie voor het veilig gebruik en onderhoud van Bodypoint® armsteunen. Geef deze instructies aan de gebruiker of diens verzorger en controleer ze om er zeker van te zijn dat ze worden begrepen.



BEOOGD GEBRUIK:

De Dynamische Armsteun is een dynamische, mobiele steun voor de elleboog, onderarm en hand die kan worden bevestigd aan een handbewogen of elektrische rolstoel. Het biedt ondersteuning voor de arm (L/R), een functioneel dynamisch bewegingsbereik bij de schouder en een innovatieve, flexibele handsteun die de handfunctie bevordert en helpt spiersamentrekkingen op te vangen en te minimaliseren

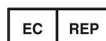
Dit product bestaat uit modulaire componenten die kunnen worden aangepast voor een op maat gemaakte orthotische pasvorm. Een draaimechanisme stelt gebruikers in staat de schouder te bewegen in een functioneel, dynamisch bewegingsbereik. De flexibele handsteun helpt om de pols, hand en vingers in een neutrale positie te brengen en spiersamentrekkingen op te vangen en te minimaliseren

Dit product is ontworpen voor montage op veel verschillende rolstoelmodellen met in hoogte verstelbare armleuningen en kan gemakkelijk worden verwijderd voor transfers door gebruik te maken van de snelkoppelingsfunctie. Om een optimaal klinisch resultaat te garanderen, moeten gebruikers een gekwalificeerde zorgdeskundige raadplegen alvorens het product te gebruiken.



Bodypoint®

558 1st Avenue South
Suite 300
Seattle, WA 98104, USA



Bodypoint Europe BV
Kerkstraat 29
7396 PG Terwolde, NL



206.405.4555
800.547.5715



www.bodypoint.com



⚠WAARSCHUWING! Dit product moet worden geïnstalleerd en gemonteerd door een gekwalificeerde revalidatietechnicus.

⚠WAARSCHUWING! Dit product mag alleen worden gebruikt voor het positioneren van de armen van een persoon in een rolstoel. Onbeoogd gebruik van dit product is ongeoorloofd en onveilig.

⚠WAARSCHUWING! De arm van de gebruiker moet op de juiste manier in de armsteun worden geplaatst. Een slecht afgestelde armsteun kan de arm van de gebruiker uit de kom laten glijden en de schouder uit de kom brengen of de spiersamentrekkingen van de hand verergeren. Laat uw therapeut of technicus de juiste instelling en het juiste gebruik demonstreren.

⚠WAARSCHUWING! Als de fysieke of cognitieve vermogens van de gebruiker hem/haar verhinderen dit product veilig te bedienen, moet er altijd een verzorger aanwezig zijn tijdens het gebruik. Zorg ervoor dat alle verzorgers weten hoe ze het product correct moeten bedienen.

⚠WAARSCHUWING! Dit product kan de manier waarop iemand zit veranderen. Blijf regelmatig drukontlastende activiteiten en huidintegriteitscontroles uitvoeren. Als de huid rood wordt of geïrriteerder raakt, stop dan met

het gebruik en raadpleeg uw gekwalificeerde medicus.

⚠WAARSCHUWING! Let altijd op de gebruiker wanneer de draaiplaat ontgrendeld is om te draaien. De draaiplaat moet altijd vergrendeld zijn als u met de rolstoel rijdt of hem in een voertuig vervoert, om schade of letsel als gevolg van het raken van deuropeningen of andere obstakels aan de zijkant van de stoel te voorkomen.

⚠WAARSCHUWING! Controleer bij de montage of de armsteun goed in de adapterplaat met snelsluiting is vergrendeld. De installateur moet een duidelijke 'klik' horen.

⚠WAARSCHUWING! Indien zich een ernstig incident voordoet in verband met het gebruik van dit product, dient dit te worden gemeld aan de fabrikant (Bodypoint, Inc.) en de plaatselijke bevoegde instantie.

⚠WAARSCHUWING! Het is het veiligst om uit uw rolstoel te stappen en op een door de fabrikant geïnstalleerde autostoel te gaan zitten, waarbij het botsingsbestendige veiligheidsgordelsysteem van de auto moet worden gebruikt. Ernstig of dodelijk letsel kan ontstaan wanneer in de auto niet het juiste veiligheidsgordelsysteem wordt gebruikt.

PERIODIEKE VEILIGHEIDS- EN PRESTATIECONTROLES:

Om de veiligheid van de gebruiker te waarborgen, moet dit product regelmatig worden gecontroleerd op een correcte werking en tekenen van slijtage. Indien het product niet correct functioneert of indien er aanzienlijke slijtage wordt vastgesteld in de onderdelen, gebruik het product dan niet langer en neem contact op met uw leverancier voor gekwalificeerde reparatie of vervanging door Bodypoint®. In geen geval mag dit product worden gewijzigd of gerepareerd door niet-gekwalificeerde personen.

REINIGING:

Dit product kan worden gereinigd door het schoon te vegen met een ontsmettingsmiddel of een doek gedrenkt in warm water en zeep. Drogen met een handdoek of aan de lucht laten drogen. Er mag een mild ontsmettingsmiddel op het oppervlak worden aangebracht. Voor het reinigen van de handriem, machinewas, heet, 60°C (140°F). Niet bleken. Drogen in de droogtrommel, lage temperatuur, of laten uitlekken. Niet strijken.



SCHROOT/VERWIJDERING:

Dit product is gemaakt van materialen die aan het einde van hun gebruiksduur zonder speciale voorzorgsmaatregelen veilig kunnen worden weggegooid.

GARANTIE:

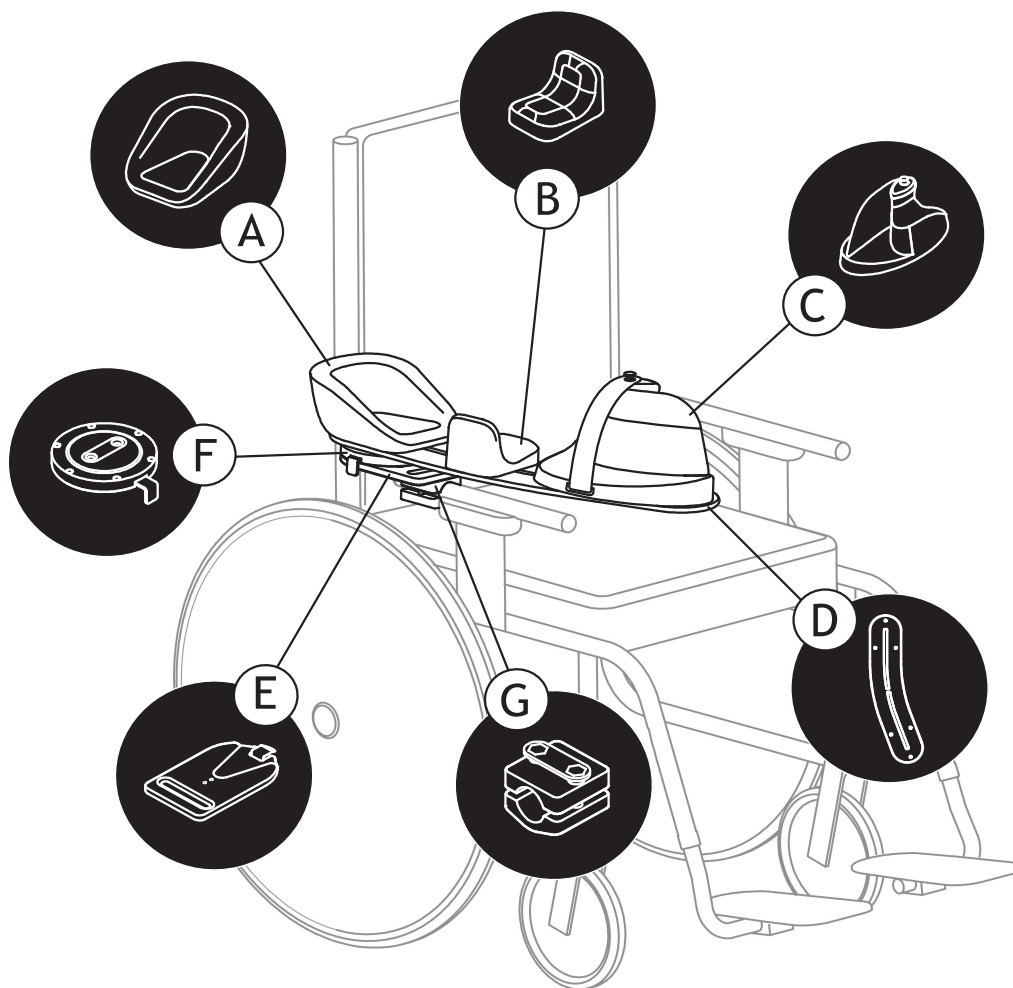
Dit product heeft een beperkte levenslange garantie tegen fabricage- en materiaalfouten die bij normaal gebruik door de oorspronkelijke gebruiker ontstaan. Neem contact op met uw leverancier of Bodypoint® voor garantieclaims. Ga voor meer informatie over Bodypoint® producten en informatie over distributeurs buiten de VS naar www.bodypoint.com.

VEREIST GEREEDSCHAP

4 mm inbussleutel	3 mm inbussleutel Voor de optionele fijnafstelling van de snelsluiting
 4mm	 3mm

INHOUD VAN HET PAKKET

A	B	C	D	E	F
Elleboog ondersteuning	Onderarm ondersteuning	Handblok en handriem	Basisplaat	Adapterplaat met snelkoppeling	Draaiplaat

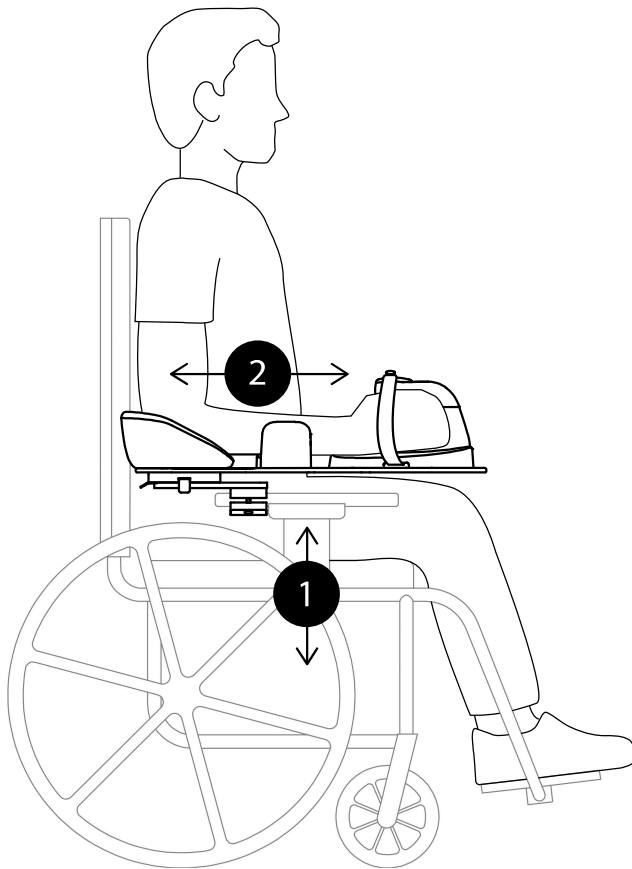


BESLAG

OPTIONELE KLEM OF PLAAT APART VERKRIJGBAAR
BEVESTIGINGSKLEM ARMLEUNING HIERBOVEN AFGEBEELD

G	H
<p>ArMLEuning bevestigingsklemmen Compatibel met Ø19 mm [3/4"] of Ø22 en 25mm [7/8"/1"] ronde arMLEuningbuizen</p>	<p>ArMLEuning montageplaat Compatibel met platte arMLEuningen</p>

POSITIONERING VAN DE ARMSTEUN VOOR DE GEBRUIKER



1. Hoogte

Voor een optimale positionering wordt het gebruik van een in de hoogte verstelbare armleuning aanbevolen.

Stel de hoogte van de armleuning zo in opdat er een gelijkmatige drukverdeling is en de spieren in schouder in een ontspannen staat zijn.

2. Diepte

Om de armsteun naar voren of naar achteren te verstellen, draait u de schroeven los die zich op de bevestigingspunten van de armleuning bevinden.

Schuif de armsteun naar voren of naar achteren op de armleuning in de juiste positie.

Zie voor meer informatie: "EXTRA FIJNAFSTELLING VAN DE DRAAIPLAAT, EXTRA DIEPTEAANPASSINGEN."

3. Lateraal

Om de armsteun dichterbij of verder van de gebruiker af te zetten, draait u de schroeven los waarmee de adapterplaat met snelkoppeling aan de bevestigingspunten van de armleuning is bevestigd.

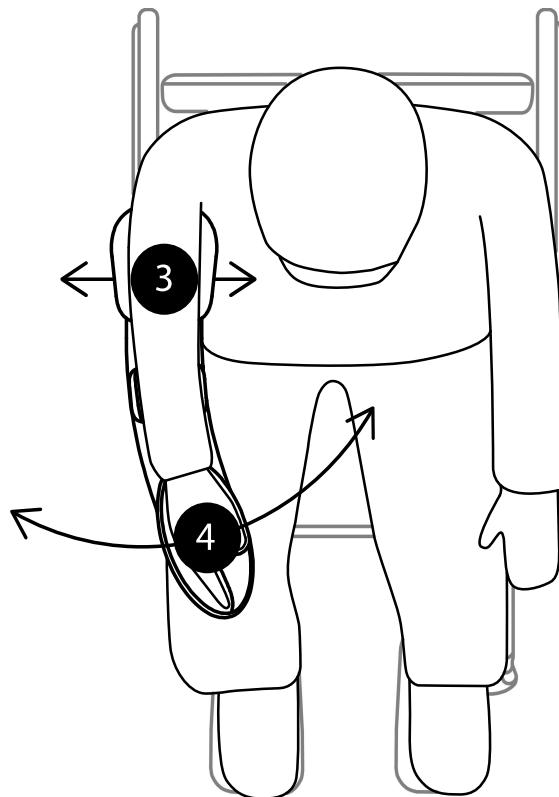
Schuif de armsteun naar binnen of naar buiten en draai beide schroeven weer stevig vast.

4. Hoek

De draaiplaat maakt een interne en externe rotatie van 60° mogelijk. Om de hoek van de armsteun te bepalen, trekt u het lipje van de draaiplaat uit en positioneert u de armsteun.

Duw het lipje van de draaiplaat naar binnen om deze te vergrendelen in de gewenste hoek, in stappen van 5°.

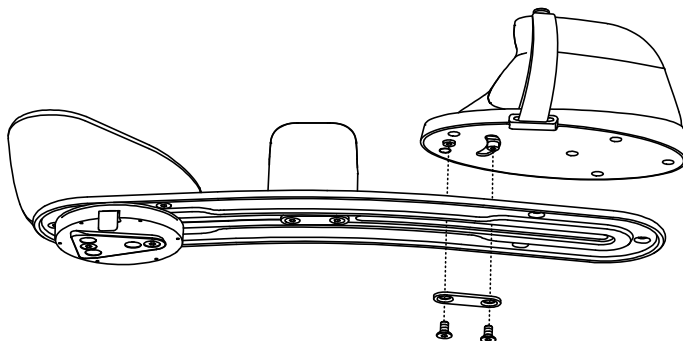
Zie voor meer informatie: "EXTRA FIJNAFSTELLING VAN DE DRAAIPLAAT, EXTRA INTERNE EN EXTERNE ROTATIEBEPERKINGEN."



DE ARMSTEUN INSTALLEREN

Verwijder vóór de installatie de snelkoppelingsontvanger van de armsteun. Zie voor meer informatie: "DE ADAPTERPLAAT MET SNELKOPPELING GEBRUIKEN."

1. Bevestig de ontvanger van de snelkoppeling aan de armléuning van de rolstoel met behulp van optioneel beslag voor de armléuning. Draai de montageschroeven gedeeltelijk aan om afstelling mogelijk te maken. Zie de bij het optioneel beslag gevoegde instructies voor meer informatie.

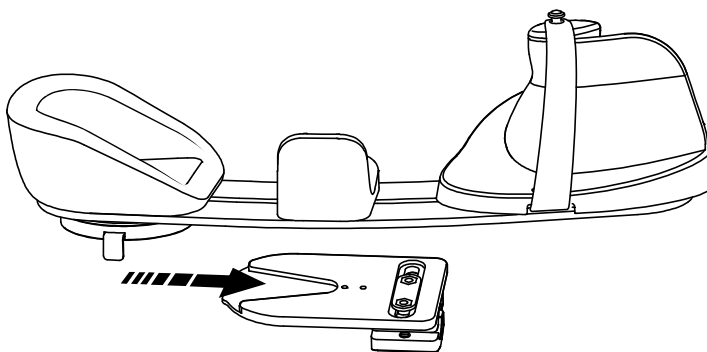


2. Monteer het handblok op de basisplaat met behulp van de onderlegplaat en de bijgeleverde M6-schroeven (2).

Let op: Draai de schroeven pas volledig aan nadat de laatste aanpassingen aan de gebruiker zijn gedaan.

3. Schuif de armsteun in de adapterplaat van de snelkoppeling - de vergrendeling van de snelkoppeling moet met een hoorbare 'klik' vergrendelen!

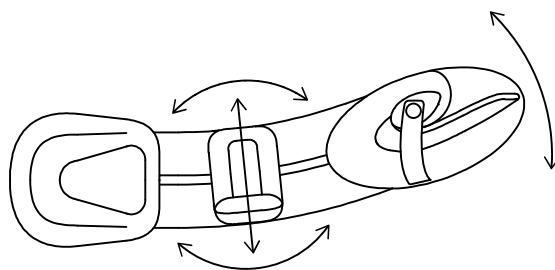
Let op: De snelkoppeling kan worden afgesteld om speling weg te nemen door de M5-schroeven (2) aan de onderkant los te draaien met een inbussleutel van 3 mm. Druk de snelkoppeling stevig tegen de achterrand van de snelkoppelingswig terwijl u de schroeven vastdraait om hem op zijn plaats te houden.



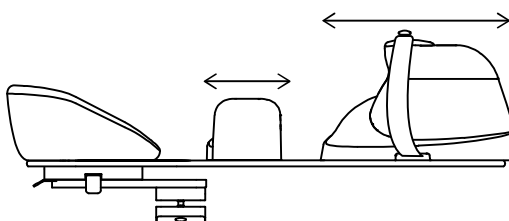
AFSTELLEN VAN HET ONDERARM ONDERSTEUNING EN HANDBLOK

Begin met de elleboog van de gebruiker in de elleboog ondersteuning te plaatsen.

Om het handblok in te stellen, draait u de M6-schroeven (2) los en schuift u het handblok langs de basisplaat om te voorkomen dat de onderarm van de gebruiker verschuift. Draai de achterste schroef vast tot deze goed vastzit en stel dan de hoek van het handblok in op 0-30° om de hand en de pols correct te positioneren. Draai beide schroeven volledig vast om het handblok op zijn plaats te houden.



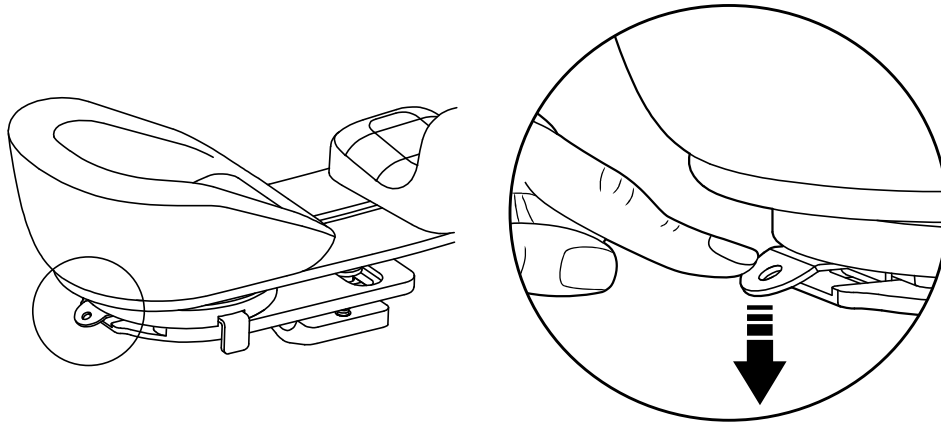
Om de onderarm ondersteuning aan te passen, draait u de M6-schroeven (2) los en schuift u de onderarm ondersteuning langs de basisplaat om de arm van de gebruiker achter de pols te ondersteunen. Hij kan naar binnen of naar buiten worden versteld, worden gedraaid of in de tegenovergestelde richting worden gemonteerd om de armbeweging te ondersteunen of te beperken. Draai de schroeven opnieuw vast.



DE ADAPTERPLAAT MET SNELKOPPELING GEBRUIKEN.

Druk de snelkoppeling omlaag om deze te ontgrendelen en te verwijderen.

Om de armsteun opnieuw te installeren, schuift u hem in de snelsluitontvanger totdat hij vastklikt met een hoorbare 'klik!'

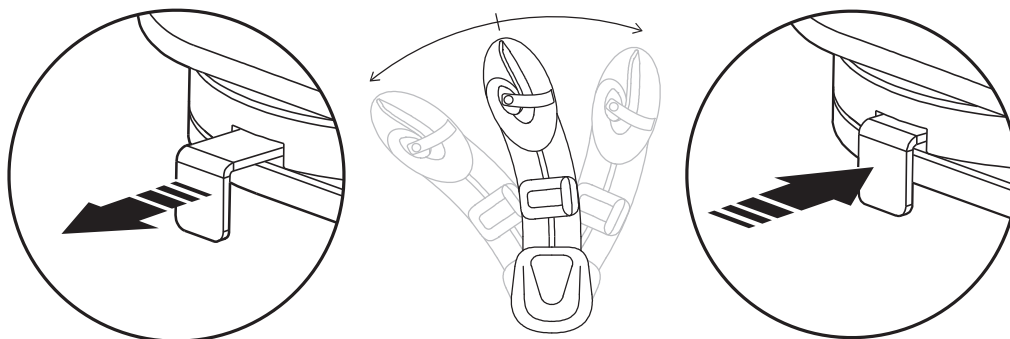


DE DRAAIPLAAT VERGRENDELEN/ONTGRENDELEN

De armsteun kan worden ontgrendeld om dynamische beweging mogelijk te maken of worden vergrendeld om een vaste armpositie te handhaven.

Trek het lipje van de draaiplaat uit om deze te ontgrendelen. De armsteun kan nu vrij draaien over een bereik van 60° van binnen naar buiten.

Druk op het draaiplaatlipje om te vergrendelen. De armsteun kan in stappen van 5° worden vergrendeld.



ONTGREN-
DELEN

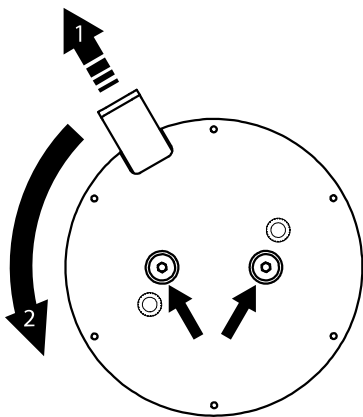
DRAAI-
PUNT

VERGRE-
NDELEN

⚠WAARSCHUWING! Let altijd op de gebruiker wanneer de draaiplaat ontgrendeld is om te draaien. De draaiplaat moet altijd vergrendeld zijn als u met de rolstoel rijdt of hem in een voertuig vervoert, om schade of letsel als gevolg van het raken van deuropeningen of andere obstakels aan de zijkant van de stoel te voorkomen.

EXTRA AANPASSINGEN VAN DE DRAAIPLAAT

EXTRA DIEPTEAANPASSINGEN



Extra aanpassingen kunnen worden gedaan door de draaiplaat tot 20 mm naar voren te verplaatsen op de basisplaat.

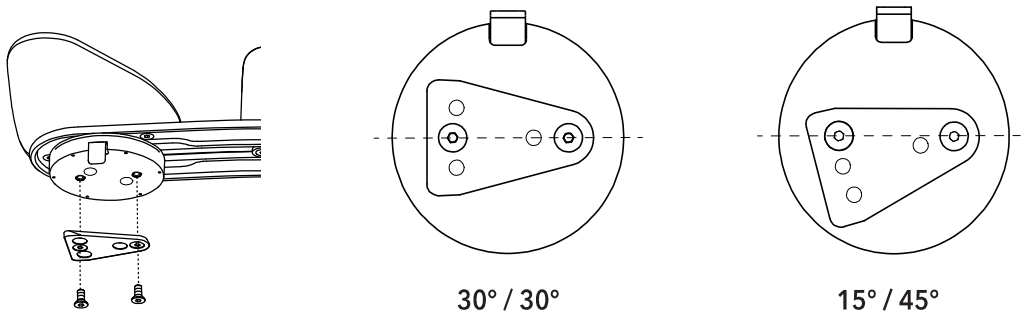
Om de montageschroeven te bereiken, verwijdert u de snelsluitingswig en trekt u het lipje van de draaiplaat naar buiten om het te ontgrendelen. Draai vervolgens tot de M6 montageschroeven door de twee toegangsgaten zichtbaar zijn.

Draai beide schroeven los om de draaiplaat naar voren te schuiven, draai vervolgens beide schroeven weer volledig vast en bevestig de snelkoppelingswig weer.

AANVULLENDE BEPERKINGEN VOOR INTERNE EN EXTERNE ROTATIE

De standaardinstelling van de draaiplaat staat 30° interne en 30° externe rotatie toe vanuit de neutrale positie (ten opzichte van de armleuning van de rolstoel). Deze biedt dezelfde functie, ongeacht of hij aan de rechter- of de linkerkant is geïnstalleerd.

Sommige gebruikers kunnen een groter bereik van interne rotatie van de arm hebben. Dit kan worden opgevangen door de snelsluitingswig aan de onderkant van de draaiplaat te verplaatsen, zodat een interne rotatie van 45° en een externe rotatie van 15° mogelijk is.



VEILIGHEIDS- EN FUNCTIECONTROLES

De gebruiker moet in de rolstoel zitten voordat de veiligheidscontrole wordt uitgevoerd.

1. NORMAAL GEBRUIK

Controleer op knelpunten of losse onderdelen.

2. COMFORT

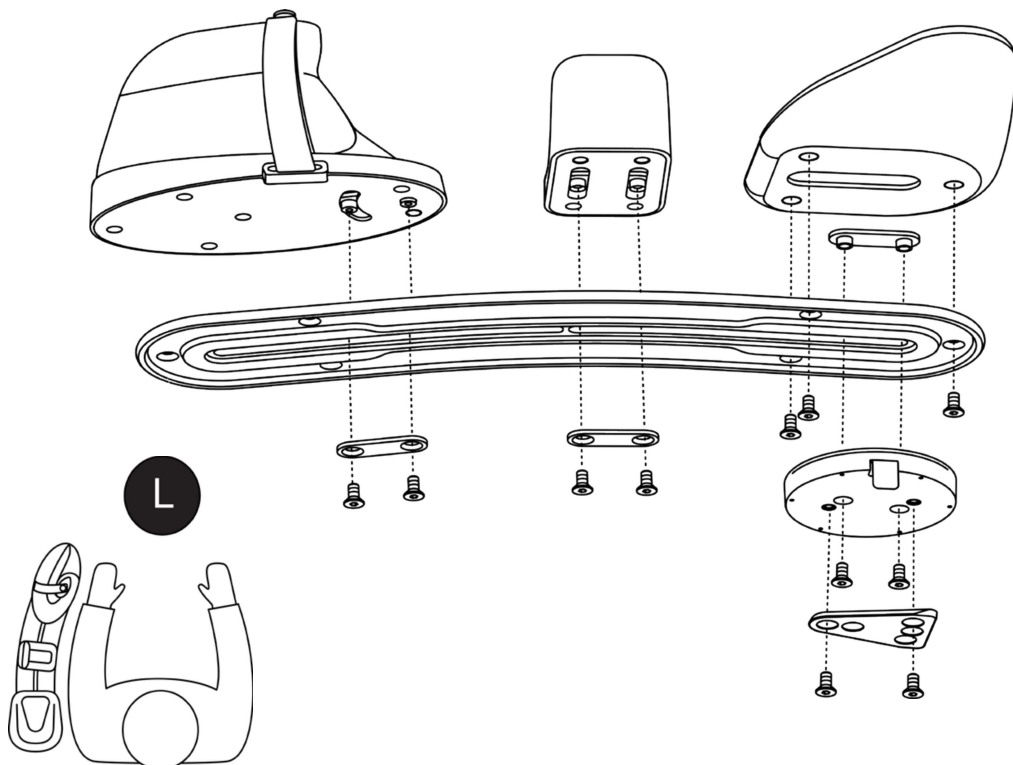
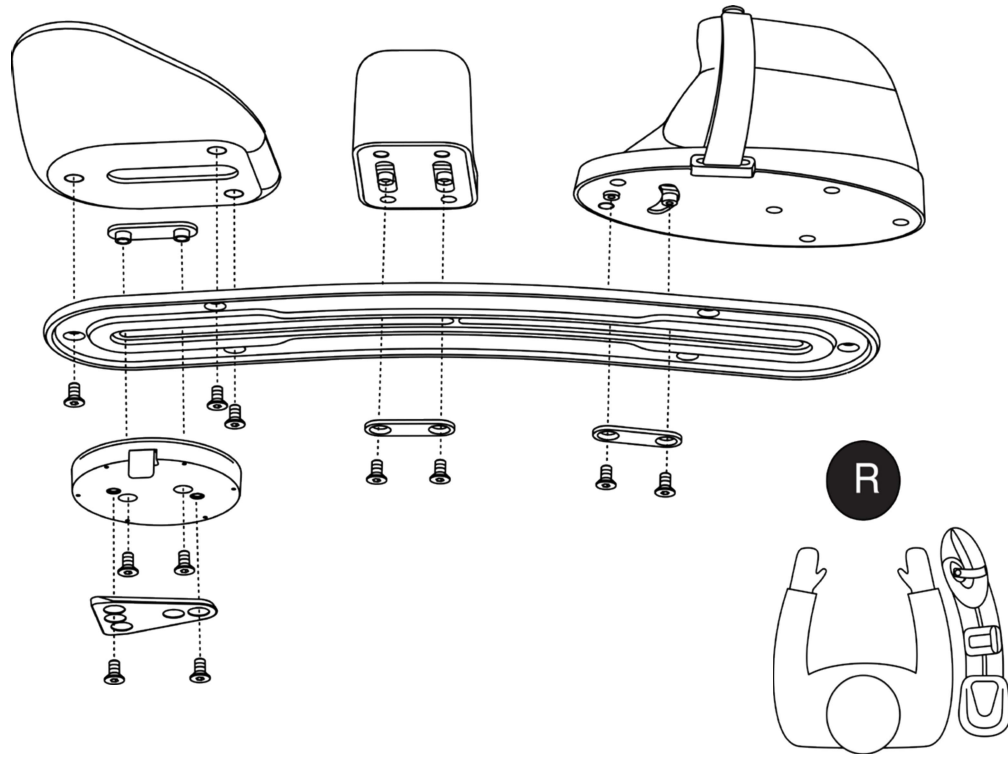
Zoek naar plekken die (huid) irritatie veroorzaken.

3. HOUDING

Let op de correcte houding van het bovenlichaam en de schouders van de gebruiker.

4. AANVULLEND

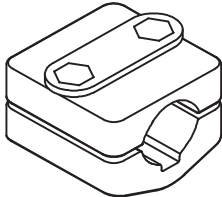
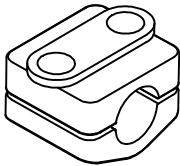
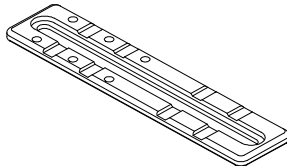
Beweeg de stoel over het volledige bewegingsbereik, inclusief kantelen, opklappen en rollen, en controleer op eventuele stringen en stel de armsteun zo nodig bij.



Dynamische Armsteun

INSTALLATIE: BESLAG

ART NOS.: AS118, AS119, AS120

		
AS118	AS119	AS120
ArMLEuning bevestigingsklemmen	ArMLEuning bevestigingsklemmen	ArMLEuning montageplaat
Compatibel met Ø22 en 25mm [7/8" / 1"] ronde arMLEuningbuizen	Compatibel met Ø19 mm [3/4"] onde arMLEuningbuizen	Compatibel met platte arMLEuningbuizen

⚠WAARSCHUWING! Dit product moet worden geïnstalleerd en gemonteerd door een gekwalificeerde revalidatietechnicus.

⚠WAARSCHUWING! Controleer bij de montage of de armsteun goed in de adapterplaat met snelsluiting is vergrendeld. De installateur moet een duidelijke 'klik' horen.

⚠WAARSCHUWING! Indien zich een ernstig incident voordoet in verband met het gebruik van dit product, dient dit te worden gemeld aan de fabrikant (Bodypoint, Inc.) en de plaatselijke.

PERIODIEKE VEILIGHEIDS- EN PRESTATIECONTROLES

Om de veiligheid van de gebruiker te waarborgen, moet dit product regelmatig worden gecontroleerd op een correcte werking en tekenen van slijtage. Indien het product niet correct functioneert of indien er aanzienlijke slijtage wordt vastgesteld in de onderdelen, gebruik het product dan niet langer en neem contact op met uw leverancier voor gekwalificeerde reparatie of vervanging door Bodypoint®. In geen geval mag dit product worden gewijzigd of gerepareerd door niet-gekwalificeerde personen.

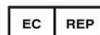
GARANTIE

Dit product heeft een beperkte levenslange garantie tegen fabricage- en materiaalfouten die bij normaal gebruik door de oorspronkelijke gebruiker ontstaan. Neem contact op met uw leverancier of Bodypoint® voor garantieclaims. Ga voor meer informatie over Bodypoint® producten en informatie over distributeurs buiten de VS naar www.bodypoint.com.



BP Bodypoint®

558 1st Avenue South
Suite 300
Seattle, WA 98104, USA



Bodypoint Europe BV
Kerkstraat 29
7396 PG Terwolde, NL



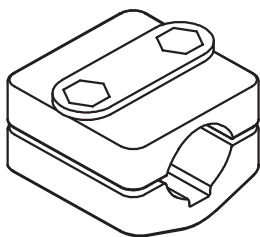
206.405.4555
800.547.5715



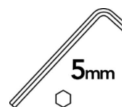
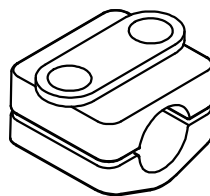
www.bodypoint.com



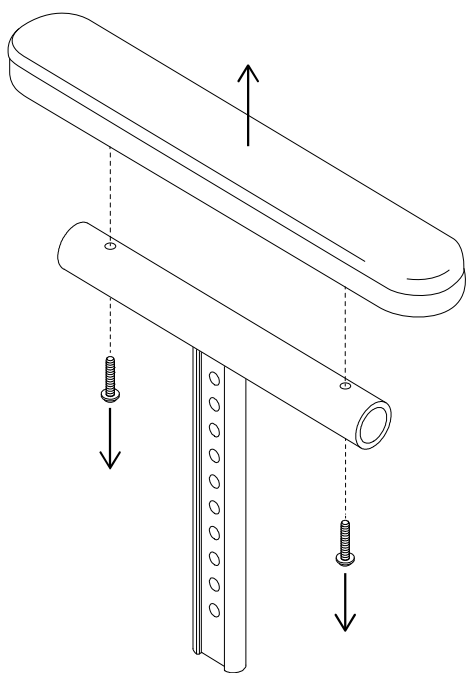
AS118



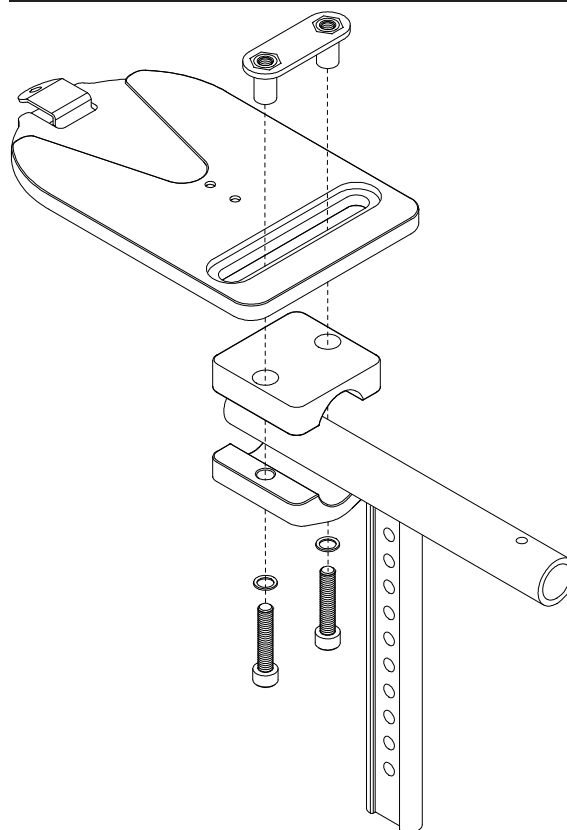
AS119



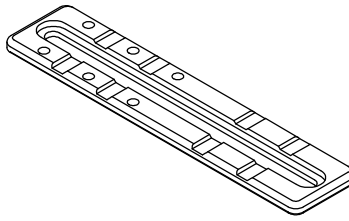
1



2

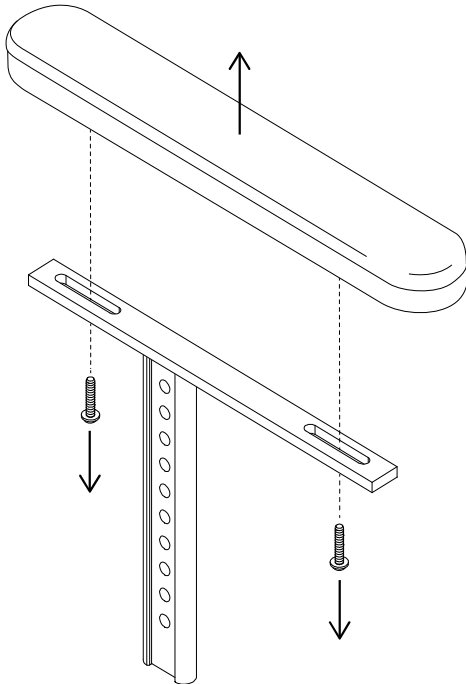


AS120

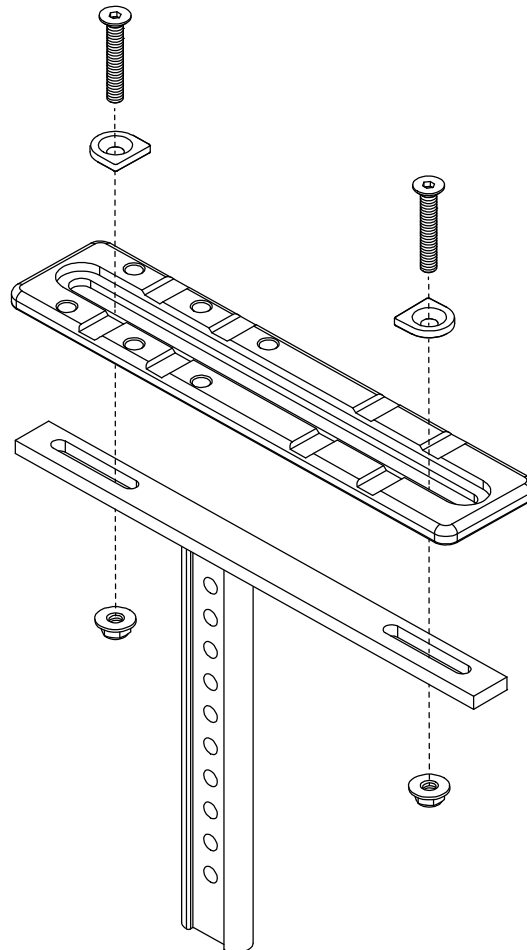


<p>M6x20mm</p>	<p></p>	<p>M6x35mm</p>	<p>M5x35mm</p>
		<p>M6</p>	<p>M5</p>
	<p>X4</p>	<p>M6</p>	<p>M5</p>
<p>10mm 8mm</p>	<p>4mm 3mm</p>		

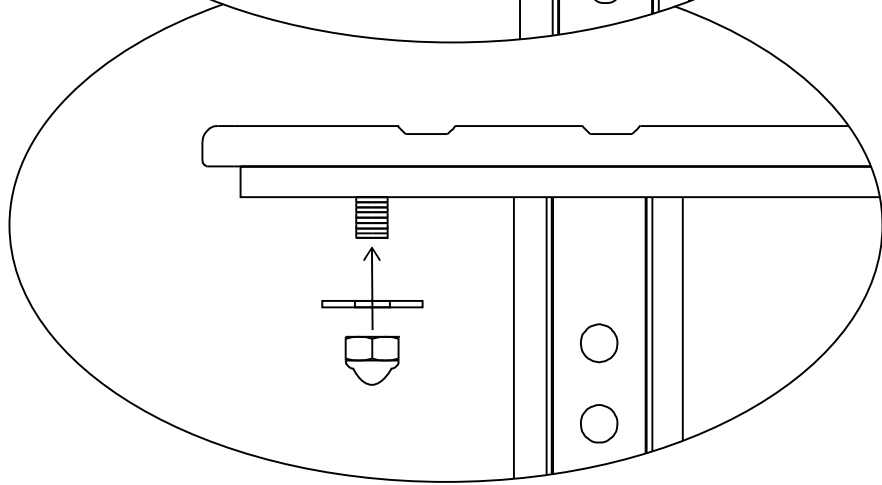
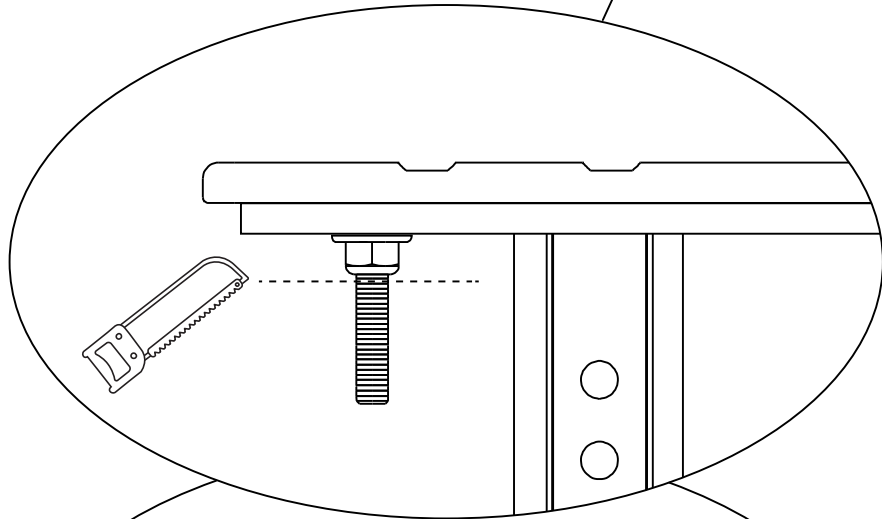
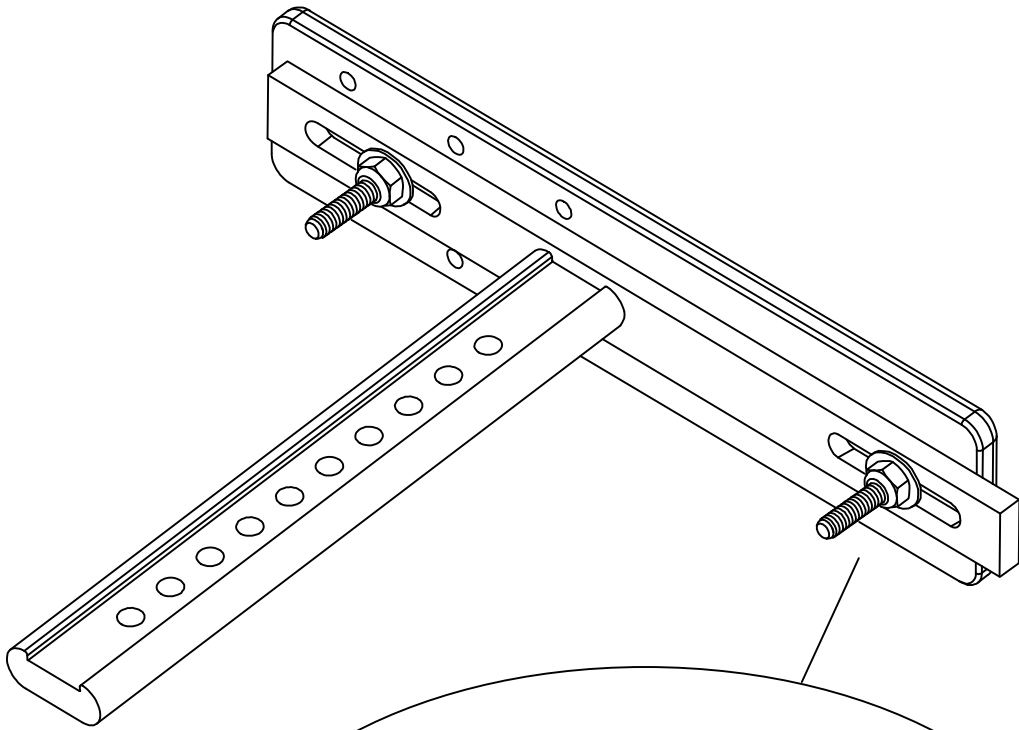
1



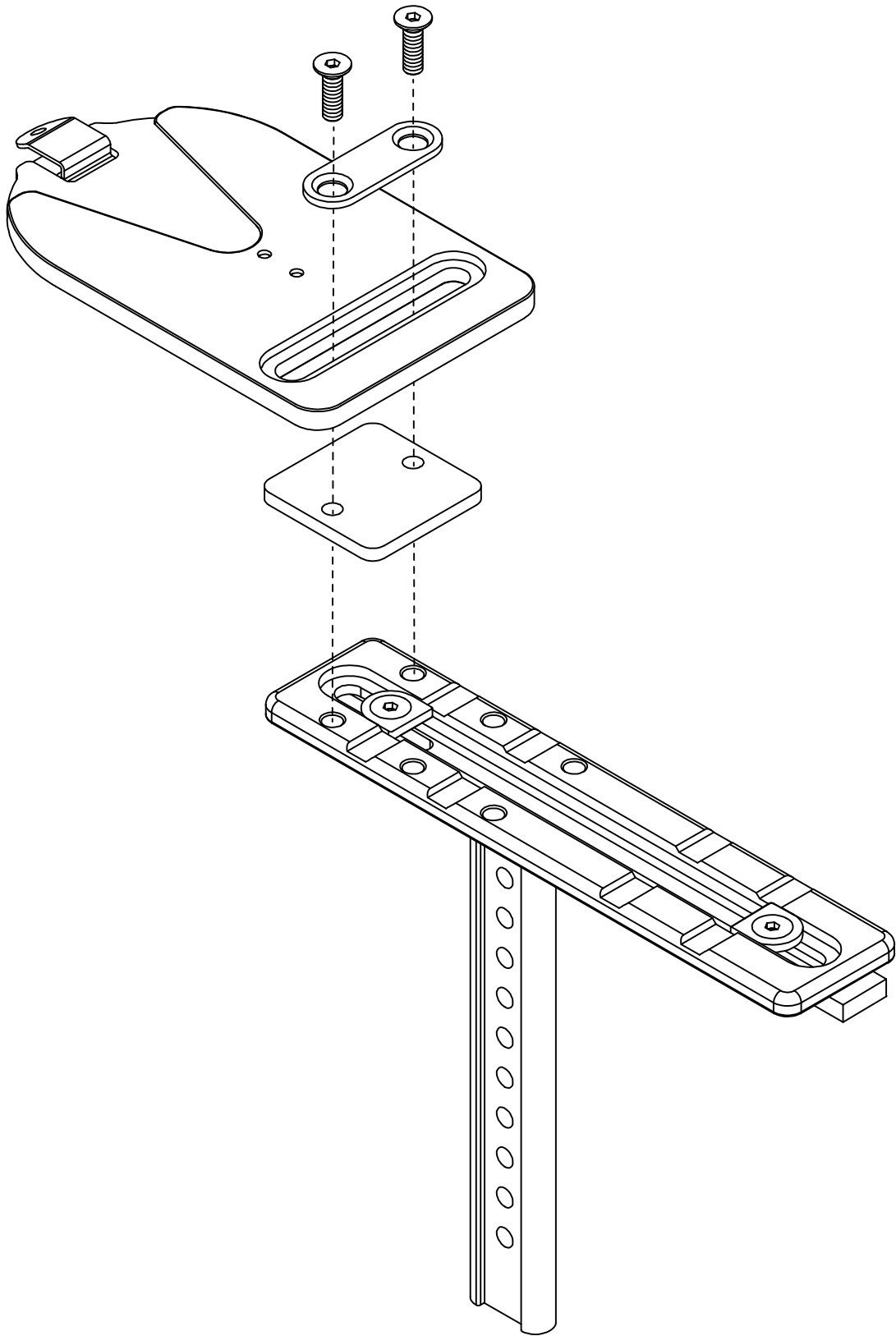
2

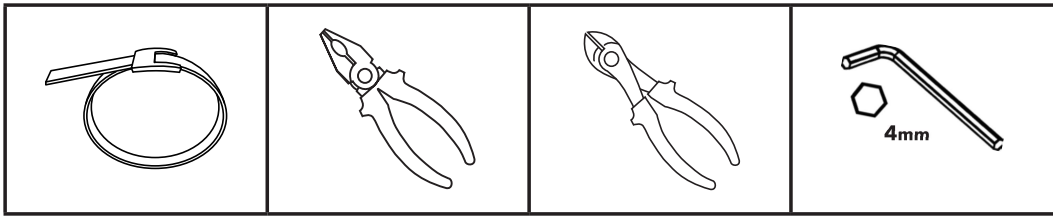


3

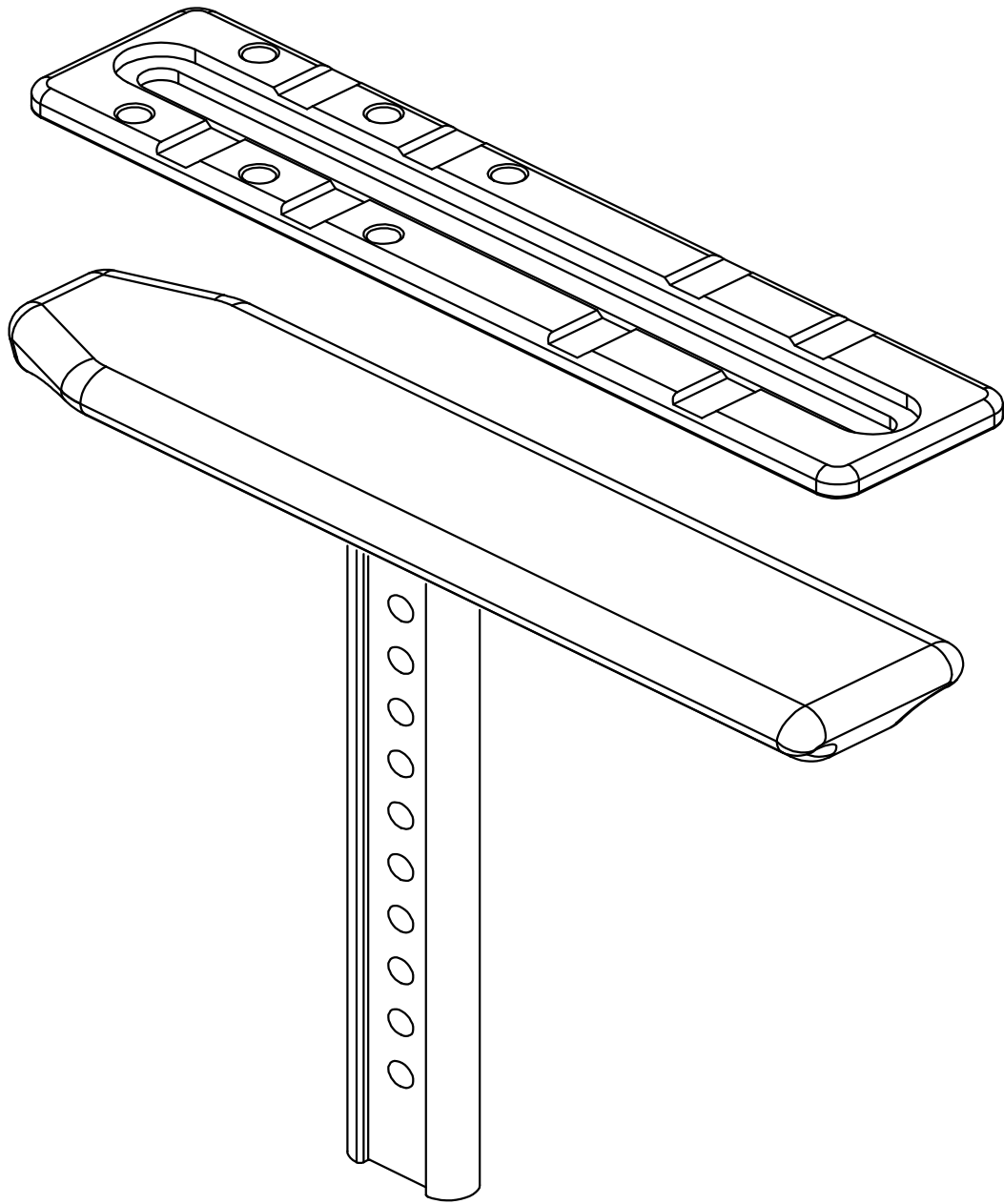


4

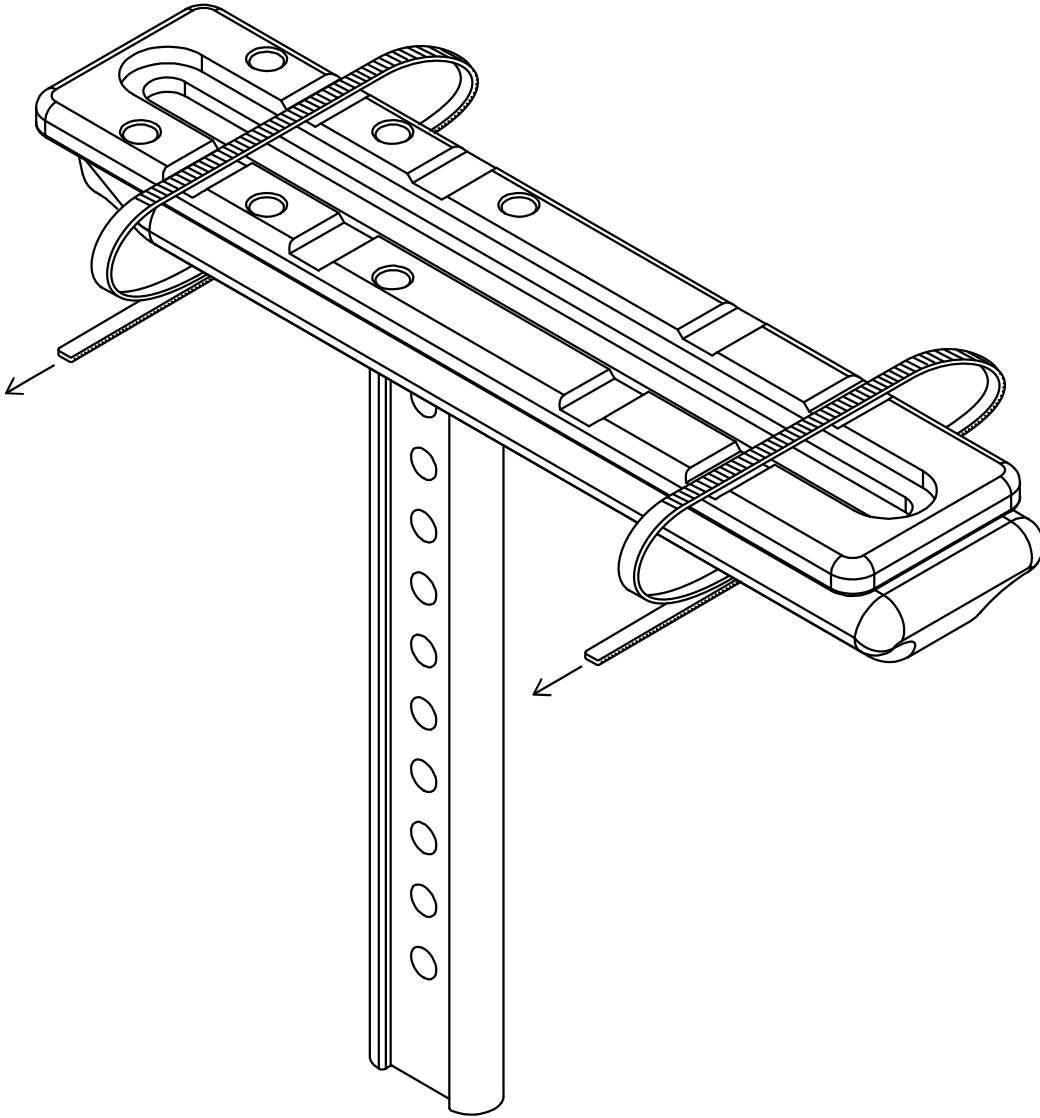




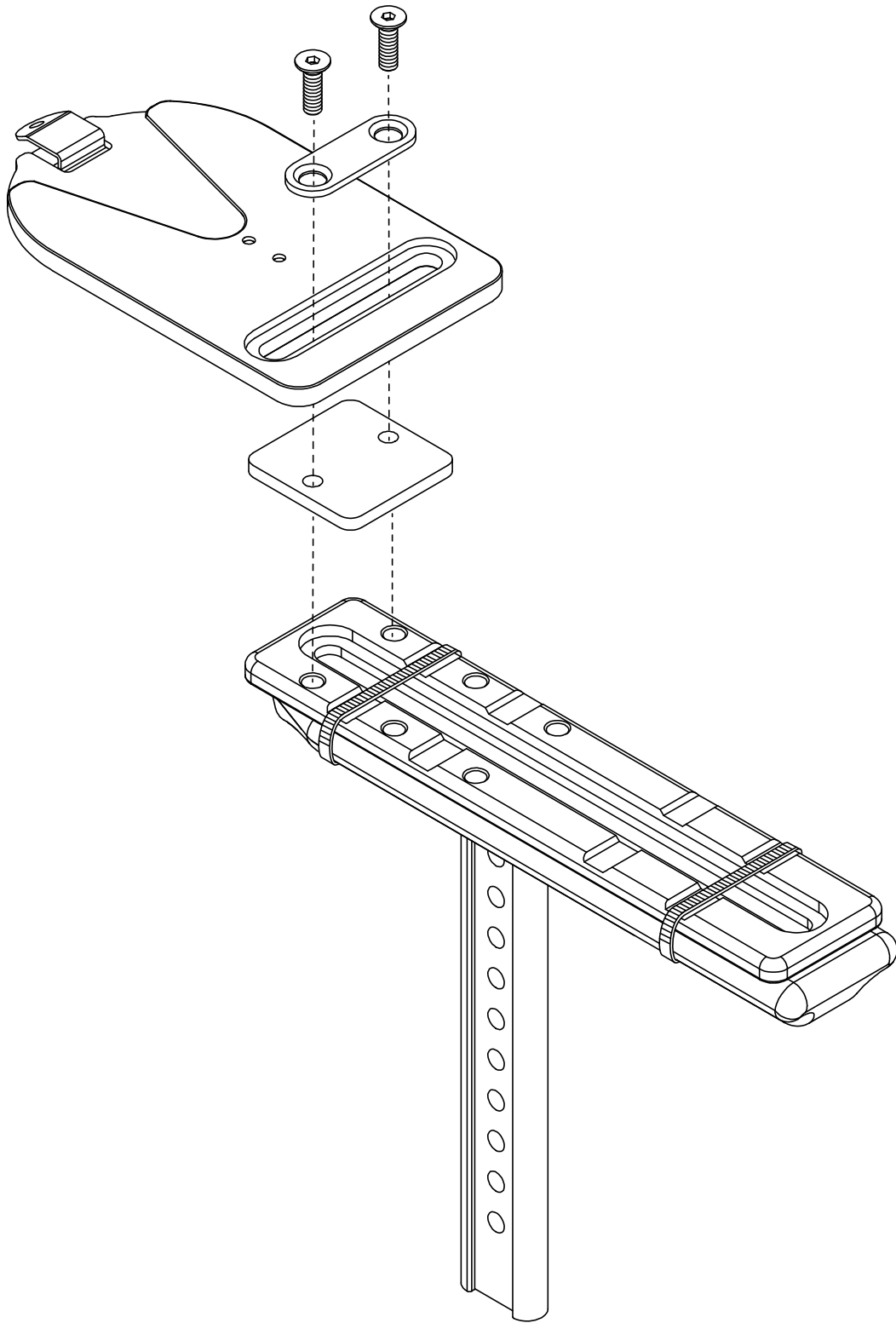
1



2



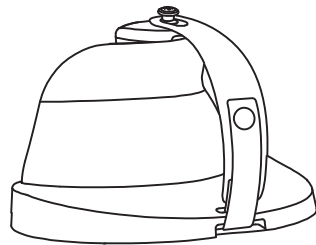
3



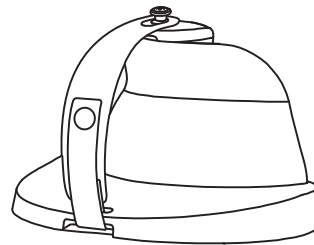
ダイナミックアームサポート

使用法同梱品

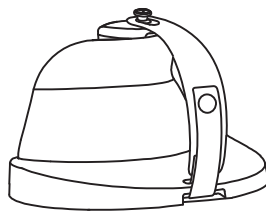
ART NOS.: AS001



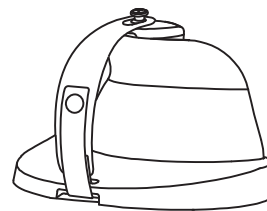
AS116L



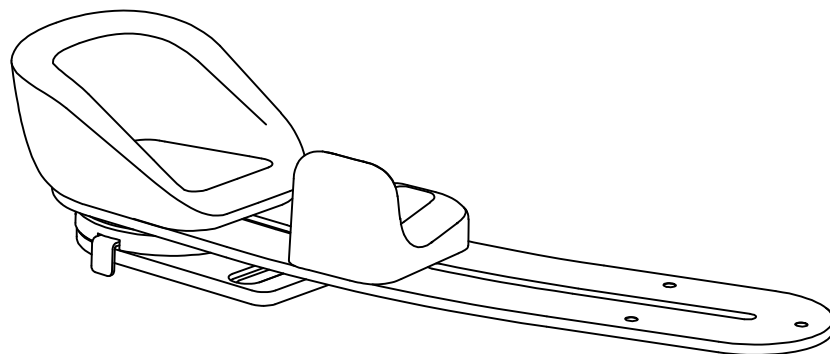
AS116R



AS115L



AS115R



AS200R



Bodypoint®

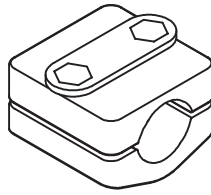
558 1st Avenue South
Suite 300
Seattle, WA 98104, USA

EC REP

Bodypoint Europe BV
Kerkstraat 29
7396 PG Terwolde, NL206.405.4555
800.547.5715

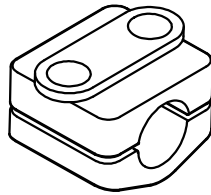
www.bodypoint.com





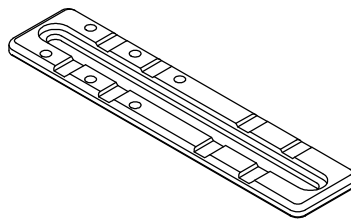
AS118

Ø22/25mm [7/8"/1"]



AS119

Ø19mm [3/4"]



 M6x20mm			 M5x35mm
 M6x35mm			 M5
 M6	 M5	 M6	 X4

AS120

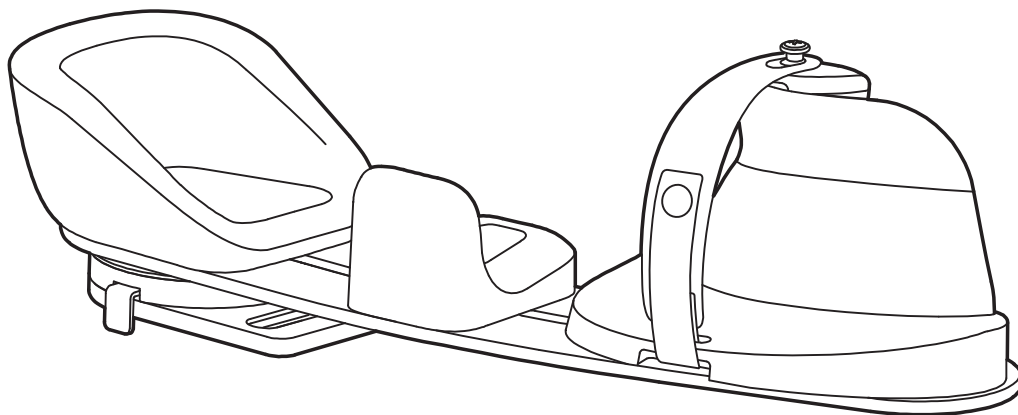
ダイナミックアームサポート

部品番号: AS201L, AS201R, AS202L, AS202R, AS200L, AS200R

取り付けおよび使用方法

この取扱説明書は、Bodypoint®アームサポートを安全に使用しメンテナンスするための重要情報を記載しています。

使用者またはその介護者に内容を示し、確実に理解させてください。



使用目的:

ダイナミックアームサポートは、手動式または電動式車椅子に置いた肘、前腕、手を支えるための動的な可動式装具です。上肢を支持するとともに、肩の動きによる一定の範囲内での機能的な動作、および手の機能を促進する革新的かつ柔軟なハンドサポートを提供し、屈筋の緊張と拘縮を最小限に抑えるのに役立ちます。

この製品には、使用者に合わせて装具のフィット状態を調整するための各種モジュール部品が付属しています。ピボット機構により、使用者が肩を使って一定の範囲内で機能的な動作を行うことができます。柔軟性のあるハンドサポートは、手首、手、指をニュートラルな状態で位置決めし、屈筋の緊張と拘縮を最小限に抑えるのに効果的です。

本製品は、高さ調節可能なアームレストを備えたさまざまな車椅子モデルに取り付け可能な設計となっており、クイックリリース機能を利用して簡単に取り外して移転することができます。最良の臨床成果を得るには、本製品の使用に先立って、資格を有する医療専門家と相談する必要があります。



BP Bodypoint®

558 1st Avenue South
Suite 300
Seattle, WA 98104, USA

EC REP

Bodypoint Europe BV
Kerkstraat 29
7396 PG Terwolde, NL



206.405.4555
800.547.5715



www.bodypoint.com



⚠警告 本製品の取り付けと調整は、資格を有するリハビリ技術者が行う必要があります。

⚠警告 本製品は、車椅子に座った人の腕を正しい位置に保つ目的でのみ使用する必要があります。本製品の目的以外での使用は認められておらず、危険です。

⚠警告 使用者の腕をアームサポート上で正しい位置に置く必要があります。アームサポートの調整に問題があると、使用者の腕が滑り落ちて肩を脱臼したり、手の屈筋の緊張が悪化するおそれがあります。療法士または技術者がアームサポートを正しく調整したうえで使用していることを確認してください。

⚠警告 使用者の身体能力または認知能力の関係で本製品を安全に操作することが不可能な場合は、常に介護者の付き添いの元で使用する必要があります。すべての介護者に本製品の正しい操作方法を周知してください。

⚠警告 本製品によって使用者の座り方が変化する場合があります。定期的な圧力軽減操作と、皮膚の状態のチェックを継続して行ってください。皮膚の赤みが増したり、炎症が見られる

場合には、使用を中止し、資格を有する医療専門家に相談してください。

⚠警告 ピボットプレートのロックが解除され、回転する状態になっているときは、使用者から目を離さないようにしてください。車椅子で移動したり、車両で車椅子ごと移動するときは、側面近くにあるドアなどの障害物に当たって破損や負傷事故が起こらないようにするため、ピボットプレートを必ずロックする必要があります。

⚠警告 アームサポートを取り付ける際、クイックリリースアダプタープレートにアームサポートが固定されたことを確認してください。「カチッ」という音が聞こえるはずですが。

⚠警告 本製品の使用に関連して重大な事故が発生した場合は、製造元 (Bodypoint, Inc.) および地元の所轄官庁に通報する必要があります。

⚠ 車椅子から降りて自動車メーカー装備の座席に座り、自動車衝突試験済みの乗員拘束システムを使用することが最も安全です。自動車に装備されている乗員拘束システムを適切に使用しないと、重傷や死亡に至る場合があります。

定期的な安全チェックと性能チェック：

使用者の安全を確保するため、本製品を定期的にチェックし、正常に機能しているか、損耗の兆候はないかどうかを確認する必要があります。本製品が正常に機能しない場合、または部品に著しい損耗が見られる場合は、本製品の使用を中止し、サプライヤーに連絡してBodypoint®による正規の修理または交換を依頼してください。いかなる状況でも、本製品に対して非正規の改造または修理を行うことは認められません。

清掃：

本製品は、消毒剤または温かい石鹸水に浸した布で拭くことによって清掃できます。タオルで水分を拭き取るか、空気乾燥させます。表面には低刺激性の消毒剤を使用できます。ハンドストラップは、洗濯機で60°Cの温水を使用して洗浄してください。漂白剤は使用しないでください。乾燥機を低温で使用するか、絞らずに干してください。アイロンはかけないでください。


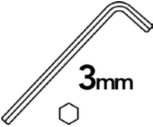
廃棄処分：

本製品は耐用期間を終えた後、特別な注意事項なしで安全に廃棄することのできる素材で作られています。

保証：

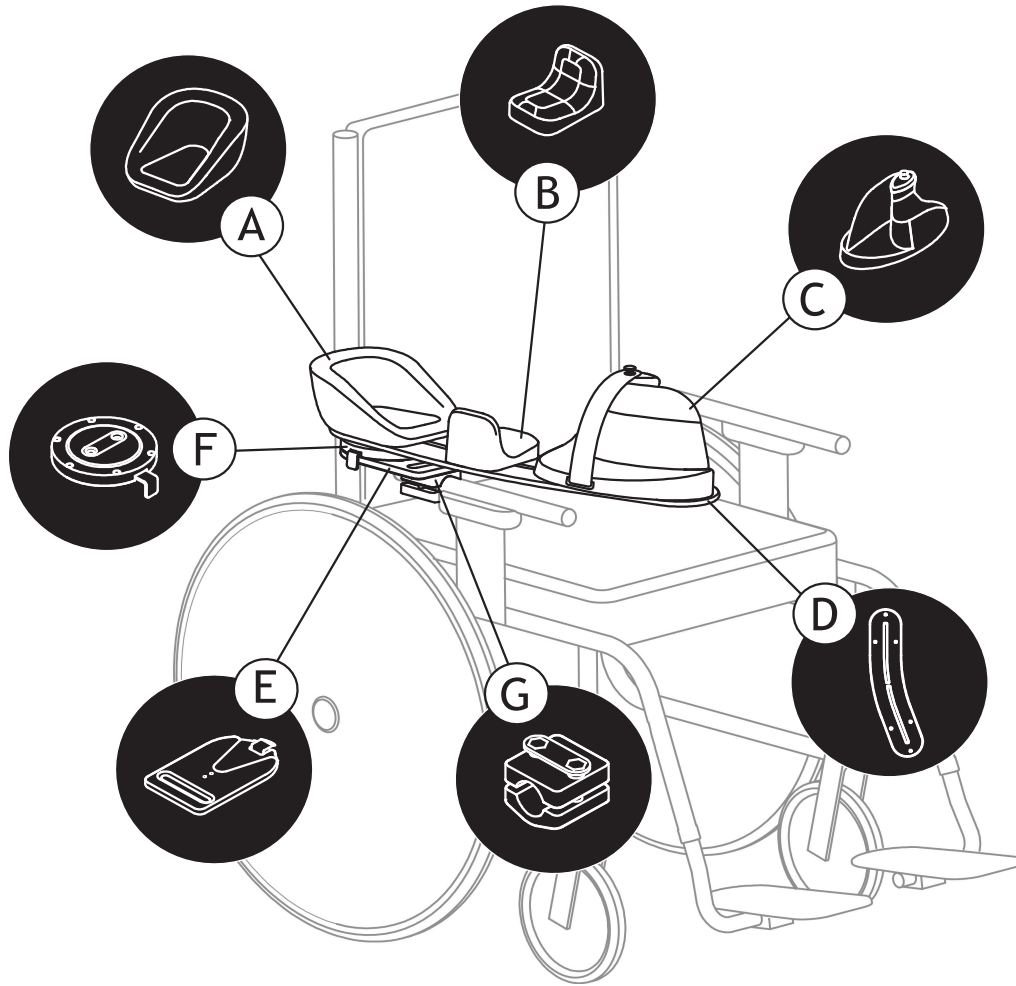
本製品には、本来の消費者による通常の使用中に発生した、製造上の欠陥および素材の欠陥に起因する不具合を対象とする期間限定保証が付属しています。保証請求に際しては、サプライヤーまたはBodypoint®にご連絡ください。Bodypoint®製品の詳しい情報、および米国外の代理店に関する情報は、www.bodypoint.comをご覧ください。

必要な工具

4mm六角棒スパナ	3mm六角棒スパナ 任意で微調整に使用 クイックリリーススラッチ
	

同梱品

A	B	C	D	E	F
エルボー パッド	前腕 パッド	ハンドブロック および ストラップ	ベース ボード	クイックリリース アダプター プレート	ピボット プレート

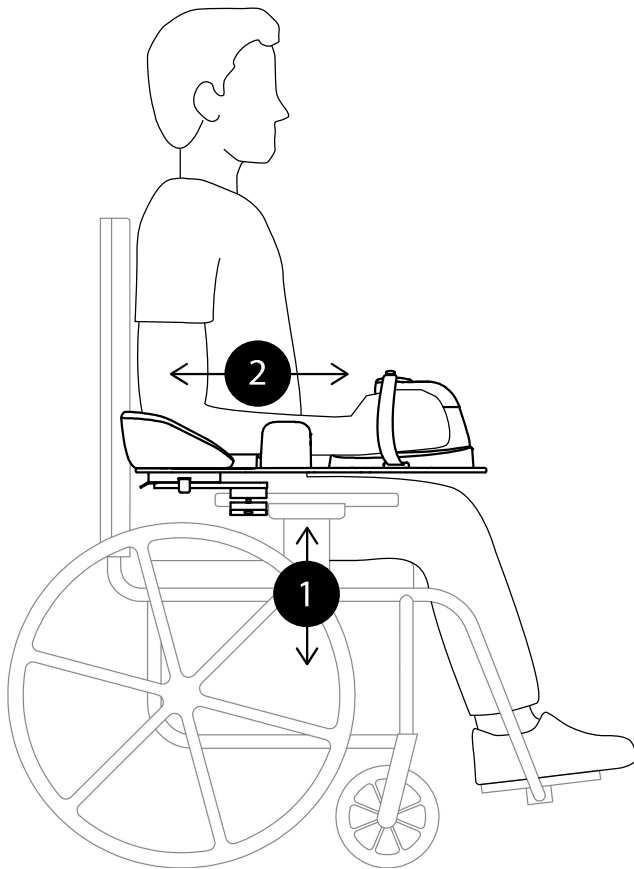


取り付け金具

オプションのクランプまたはプレート(別売)
上の図ではアームレスト取り付けクランプを表示

G	H
アームレスト 取り付けクランプ 直径19mmまたは22/25mmの 円形アームレスト管と互換	アームレスト 取り付けプレート 平面アームレストと互換

使用者に合ったアームサポート位置の調節



1. 高さ

本製品を最適な位置で使用するため、高さ調節可能なアームレストを推奨します。

肩を上げずに、腕の圧力が均等に分散される位置で肘が支えられるよう、アームレストの高さを調節します。

2. 奥行き

アームサポートを前方または後方に調節するには、アームレスト取り付け金具のネジを緩めます。

アームレスト上でアームサポートを前方または後方にスライドさせ、適切な位置にします。

詳細については「**ピボットプレートの微調整：奥行き追加調節**」を参照してください。

3. 横方向

アームサポートを使用者に近づける／遠くなるように調節するには、クイックリリースアダプタープレートのアームレスト取り付け金具に固定しているネジを緩めます。

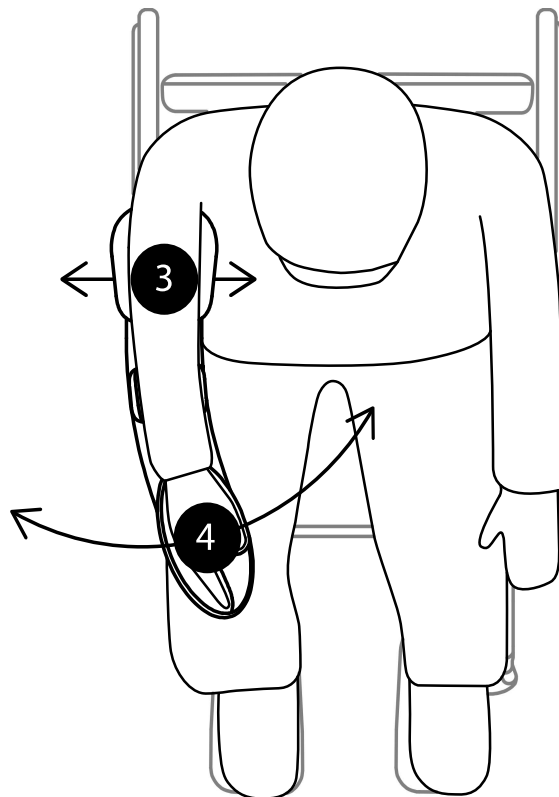
アームサポートを内側または外側にスライドさせ、両方のネジを再び固定します。

4. 角度

ピボットプレートは、内側または外側へ60度の範囲で回転可能です。アームサポートの角度を選択するには、ピボットプレートタブを引き出し、アームサポートを位置決めします。

ピボットプレートタブを押し込むことにより、5度ずつの増分で希望する角度にロックできます。

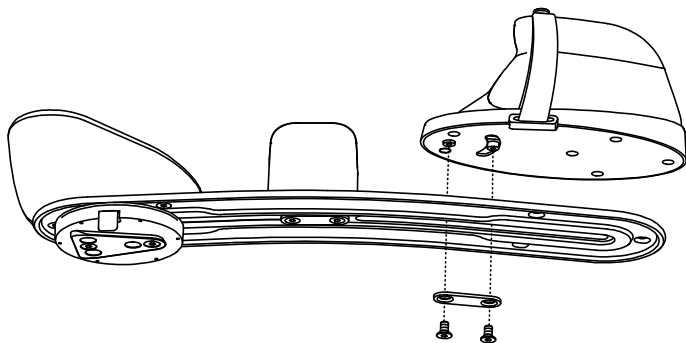
詳細については「**ピボットプレートの微調整：内側／外側への回転限度追加調節**」を参照してください。



アームサポートの取り付け

取り付けに先立って、アームサポートからクイックリリースレシーバーを取り外します。詳細については「クイックリリースアダプタープレートの使用」を参照してください。

1. オプションのアームレスト取り付け金具を使用して、クイックリリースレシーバーを車椅子のアームレストに取り付けます。取り付けネジを完全には締めないようにして、調節の余地を残しておきます。詳細については、オプションの取り付け金具に付属の取扱説明書を参照してください。

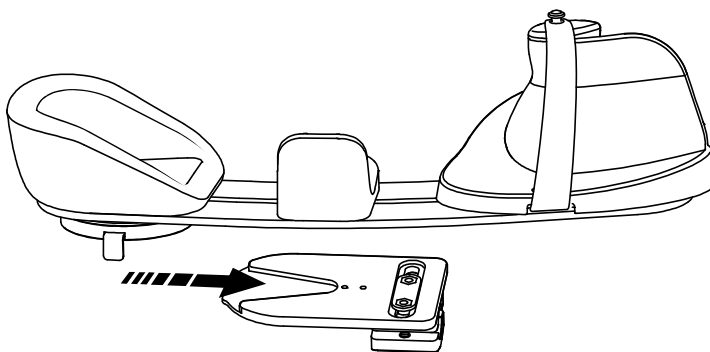


2. ワッシャープレートと付属のM6ネジ(2個)を使用して、ハンドブロックをベースボードに取り付けます。

注: 使用者に合わせた最終調節を行うまで、ネジを完全には締めないでください。

3. アームサポートを、クイックリリースアダプタープレートにスライドさせます。クイックリリースラッチが固定されると、「カチッ」という音がするはずです。

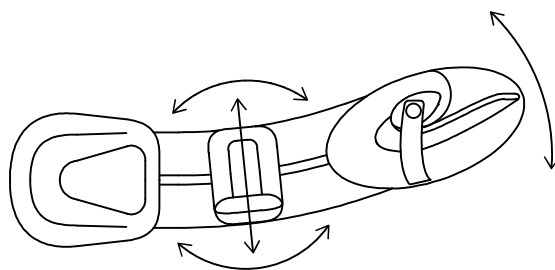
注: クイックリリースラッチを調整して遊びが生じないようにするには、3mm六角棒スパナを使用して、底部のM5ネジ(2個)を緩めます。クイックリリースラッチをクイックリリースウェッジの最後端に押し付けながらネジを締め直し、固定します。



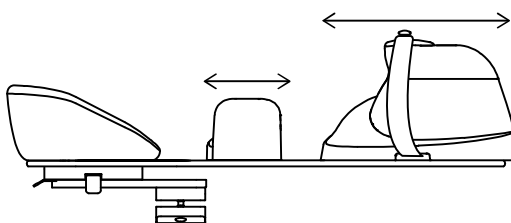
前腕パッドとハンドブロックの調節

最初に、使用者の肘をエルボーパッドに置きます。

ハンドブロックを調節するには、M6ネジ(2個)を緩め、使用者の前腕の位置が変わらないように、ベースボードに沿ってハンドブロックをスライドさせます。後ろのネジを密着するまで締め、次に、手と手首が正しい位置になるように、ハンドブロックの角度を0~30度の範囲で調節します。両方のネジを完全に締め、ハンドブロックを固定します。



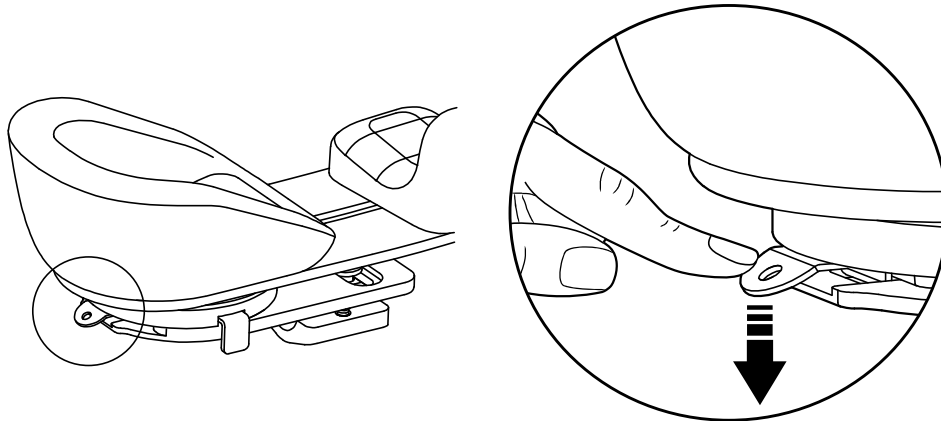
前腕パッドを調節するには、M6ネジ(2個)を緩め、使用者の手首から後ろの腕が収まるように、ベースボードに沿って前腕パッドをスライドさせます。前腕パッドは、内側または外側に調節することも、回転させることもできます。また、腕の動きを制限するため、反対側に取り付けることも可能です。ネジを締め直します。



クイックリリースアダプタープレートの使用

クイックリリースラッチを押すと、ロックが解除され、取り外せる状態になります。

再び取り付けるは、アームサポートをクイックリリースレシーバーにスライドさせます。両者がかみ合うと、「カチッ」という音がします。

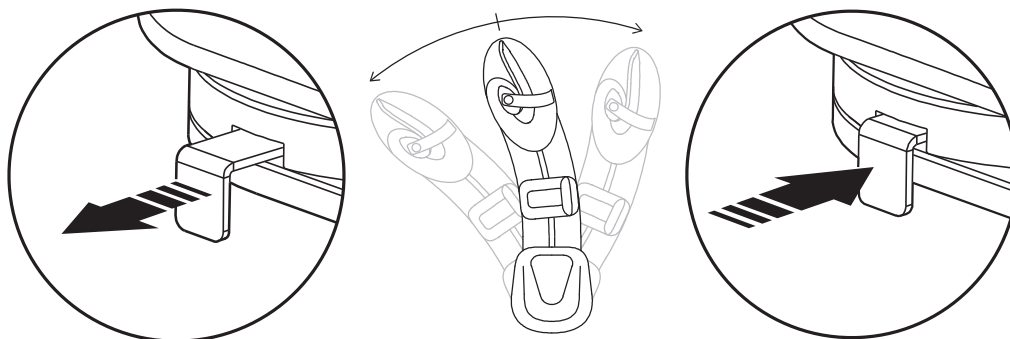


ピボットプレートのロック／ロック解除

アームサポートをロック解除すると、腕を動かせる状態になります。アームサポートをロックすると、腕の位置が固定されます。

ロック解除するには、ピボットプレートタブを引き出します。この場合、アームサポートは内側から外側まで60度の範囲で自由に回転可能です。

ロックするには、ピボットプレートタブを押し込みます。アームサポートは5度ずつの増分でロックできます。



ロック解除

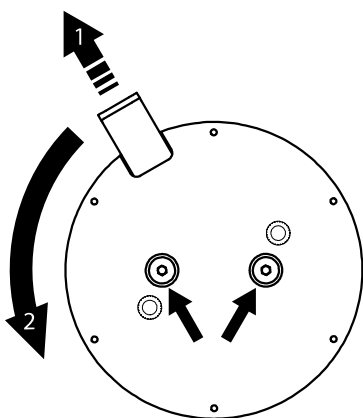
ピボット

ロック

⚠警告 ピボットプレートのロックが解除され、回転する状態になっているときは、使用者から目を離さないようにしてください。車椅子で移動したり、車両で車椅子ごと移動するときは、側面近くにあるドアなどの障害物に当たって破損や負傷事故が起こらないようにするため、ピボットプレートを必ずロックする必要があります。

ピボットプレートの微調整

奥行きの追加調節



ベースボード上でピボットプレートを最大20mm前へ移動することにより、追加調節が可能です。

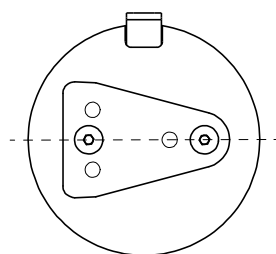
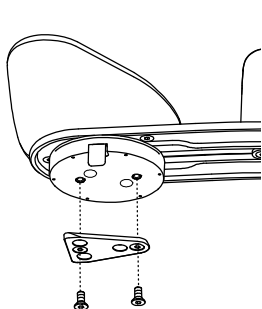
取り付けネジにアクセスするため、クイックリリースウェッジを取り外し、ピボットプレートタブを引き出してロック解除し、2個のアクセス穴越しにM6取り付けネジが見えるまで回転させます。

両方のネジを緩めてピボットプレートを前方へスライドさせた後、両方のネジを完全に締め、クイックリリースウェッジを再び取り付けます。

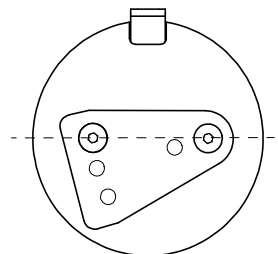
内側／外側への回転限度の追加調節

標準的なピボットプレートの取り付け状態では、中心位置（車椅子のアームレストと同じ方向）から内側へ30度、外側へ30度の回転が可能です。左右どちら側に取り付けた場合にも、同じ機能が提供されます。

使用者によっては、より大きい範囲で内側へ腕を回転できる場合があります。その場合、ピボットプレート底部にあるクイックリリースウェッジの位置を変更し、内側へ45度／外側へ15度の回転を可能にすることで対応できます。



30度／30度



15度／45度

安全チェックと性能チェック

安全チェックは使用者が車椅子に座った状態で行う必要があります。

1. 通常の動作

身体の一部が挟まれる可能性のある可動部や、部品の緩みがないかどうかチェックします。

2. 快適性

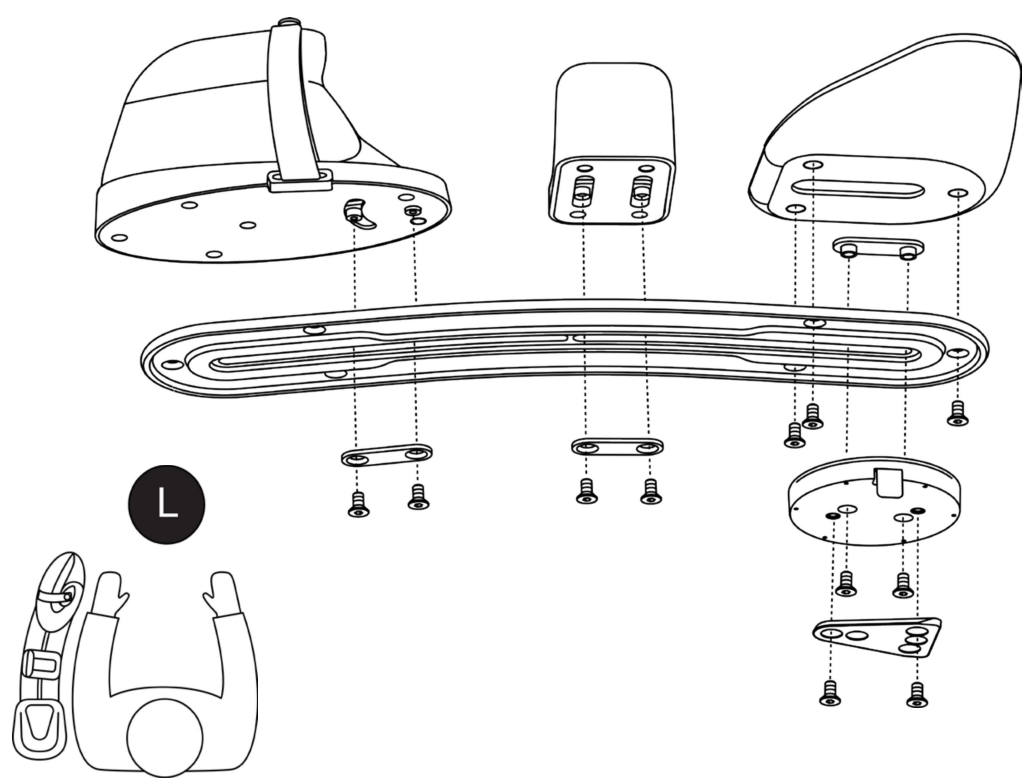
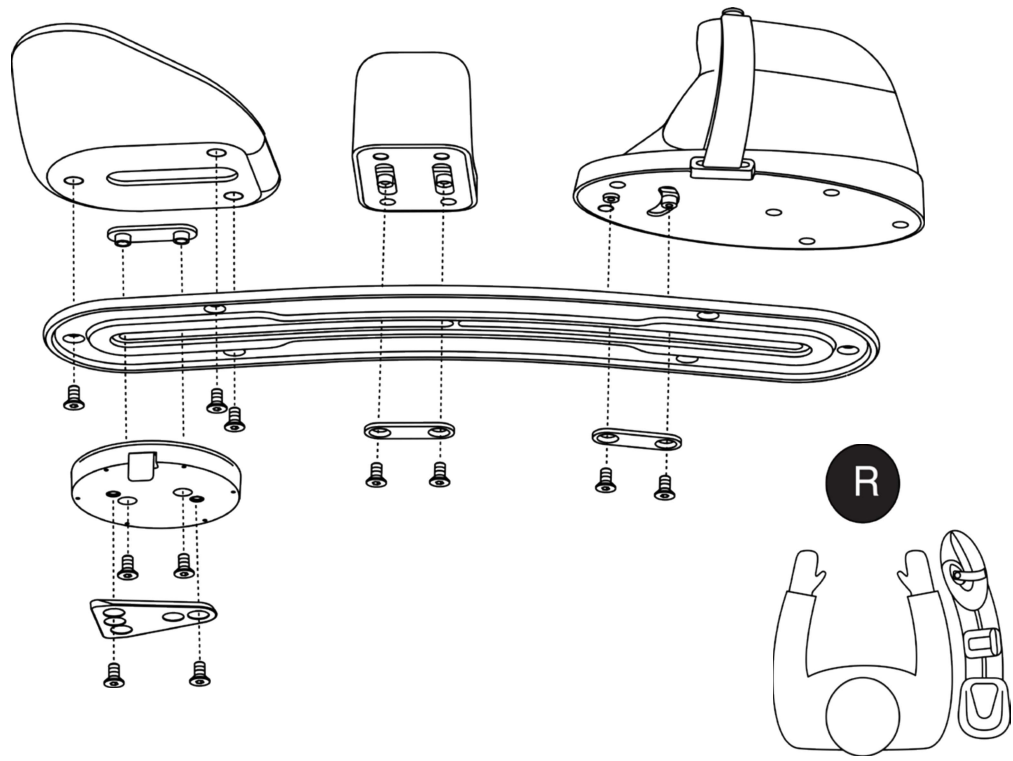
炎症が起こっている部分がないかどうかチェックします。

3. 位置

使用者の上半身および肩が正しい位置にあるかどうか確認します。

4. 追加

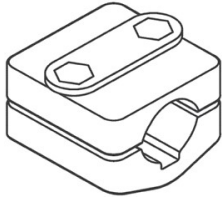
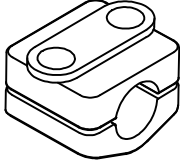
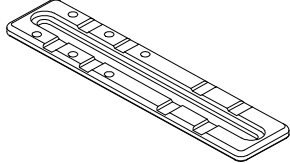
車椅子を傾けたり、折り畳んだり、揺らしたり等の動きを一通り行って、干渉がないかどうかチェックし、必要な場合、アームサポートを調節します。



ダイナミックアームサポート

使用法: 取り付け金具

ART NOS.: AS118, AS119, AS120

		
AS118	AS119	AS120
アームレスト取り付けクラ ンプ 直径22/25mmの円形アームレ スト管と互換	アームレスト取り付けクラ ンプ 直径19mmの円形アームレ スト管と互換	アームレスト取り付けプレ ート 平面アームレストと互換

⚠警告 本製品の取り付けと調整は、資格を有するリハビリ技術者が行う必要があります。

⚠警告 アームサポートを取り付ける際、クイックリリースアダプタープレートにアームサポートが固定されたことを確認してください。「カチツ」という音が聞こえるはずです。

⚠警告 本製品の使用に関連して重大な事故が発生した場合は、製造元 (Bodypoint, Inc.) および地元の所轄官庁に通報する必要があります。

安全チエツクと性能チエツク

使用者の安全を確保するため、本製品を定期的にチエツクし、正常に機能しているか、損耗の兆候はないかどうかを確認する必要があります。本製品が正常に機能しない場合、または部品に著しい損耗が見られる場合は、本製品の使用を中止し、サプライヤーに連絡してBodypoint®による正規の修理または交換を依頼してください。いかなる状況でも、本製品に対して非正規の改造または修理を行うことは認められません。

保証

本製品には、本来の消費者による通常の使用中に発生した、製造上の欠陥および素材の欠陥に起因する不具合を対象とする期間限定保証が付属しています。保証請求に際しては、サプライヤーまたはBodypoint®にご連絡ください。Bodypoint®製品の詳しい情報、および米国外の代理店に関する情報は、www.bodypoint.comをご覧ください。



Bodypoint®

558 1st Avenue South
Suite 300
Seattle, WA 98104, USA



Bodypoint Europe BV
Kerkstraat 29
7396 PG Terwolde, NL



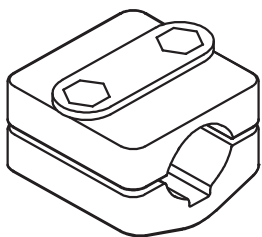
206.405.4555
800.547.5715



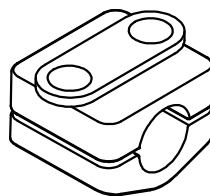
www.bodypoint.com



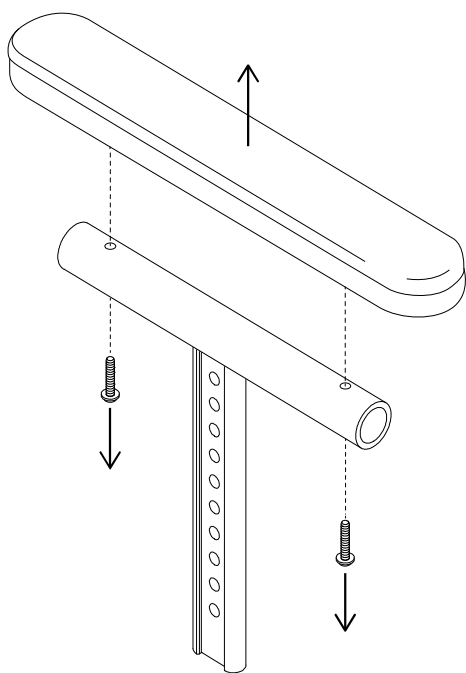
AS118



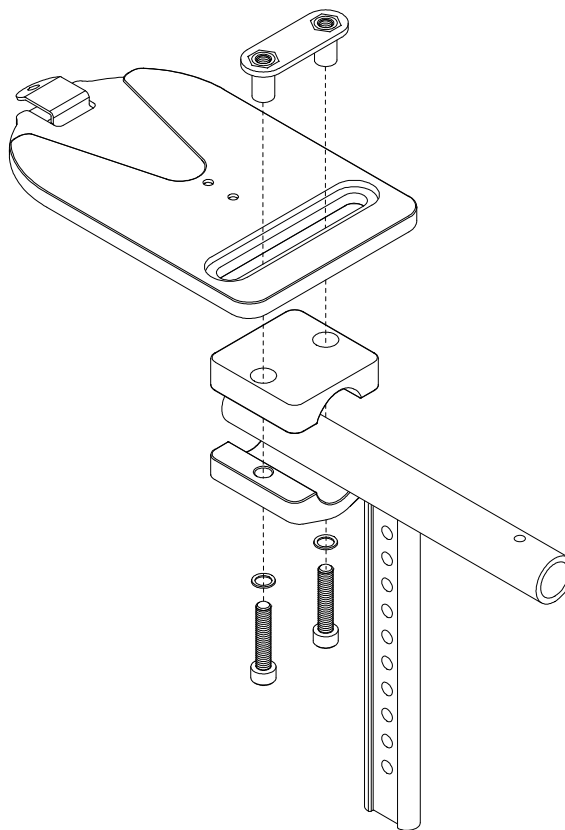
AS119



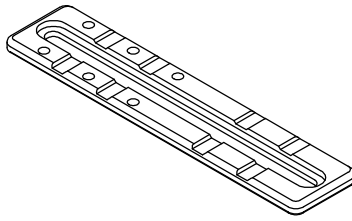
1



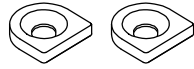
2



AS120



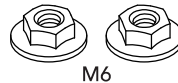
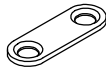
M6x20m



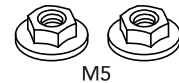
M6x35mm



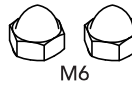
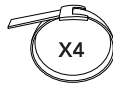
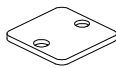
M5x35mm



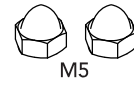
M6



M5



M6



M5



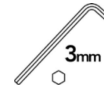
10mm



8mm

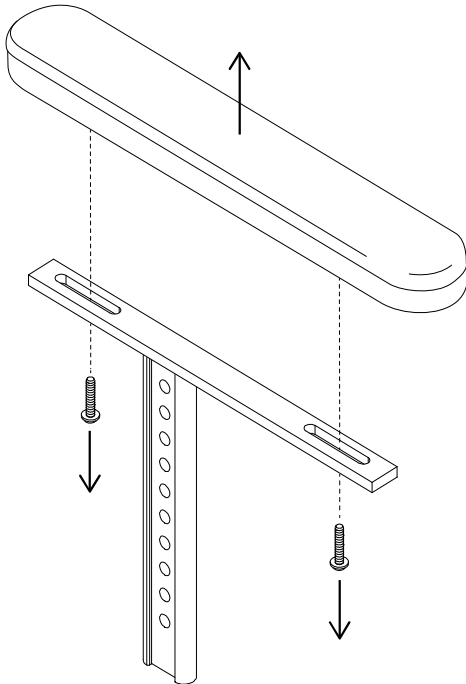


4mm

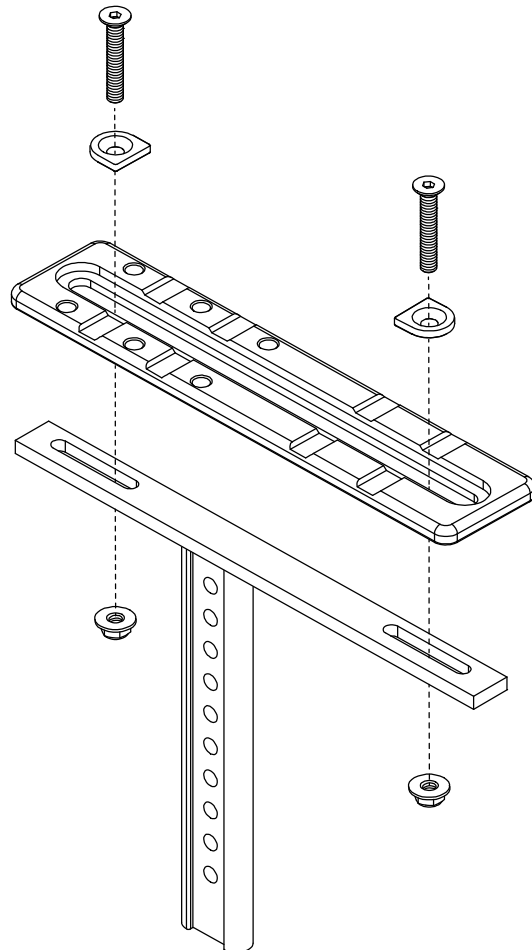


3mm

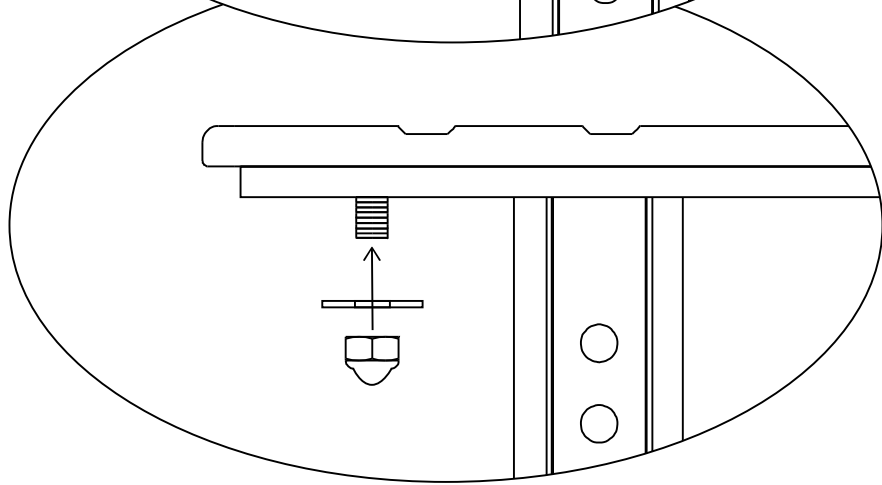
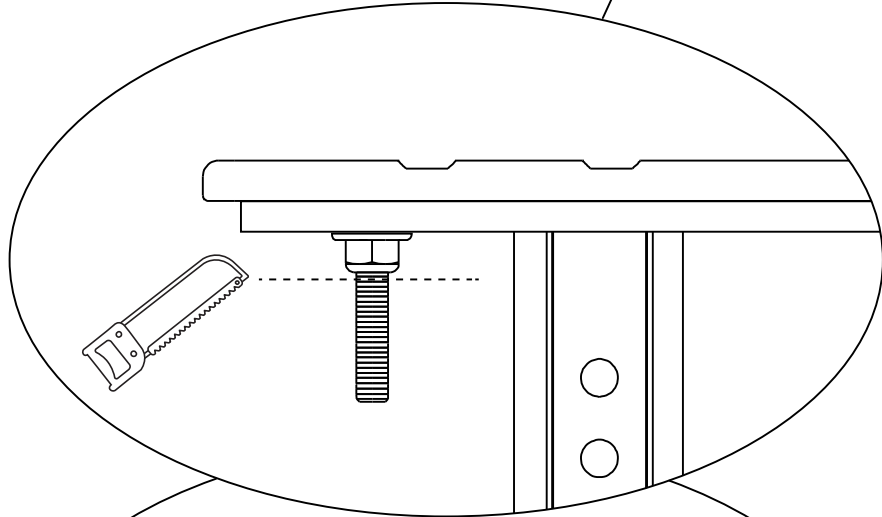
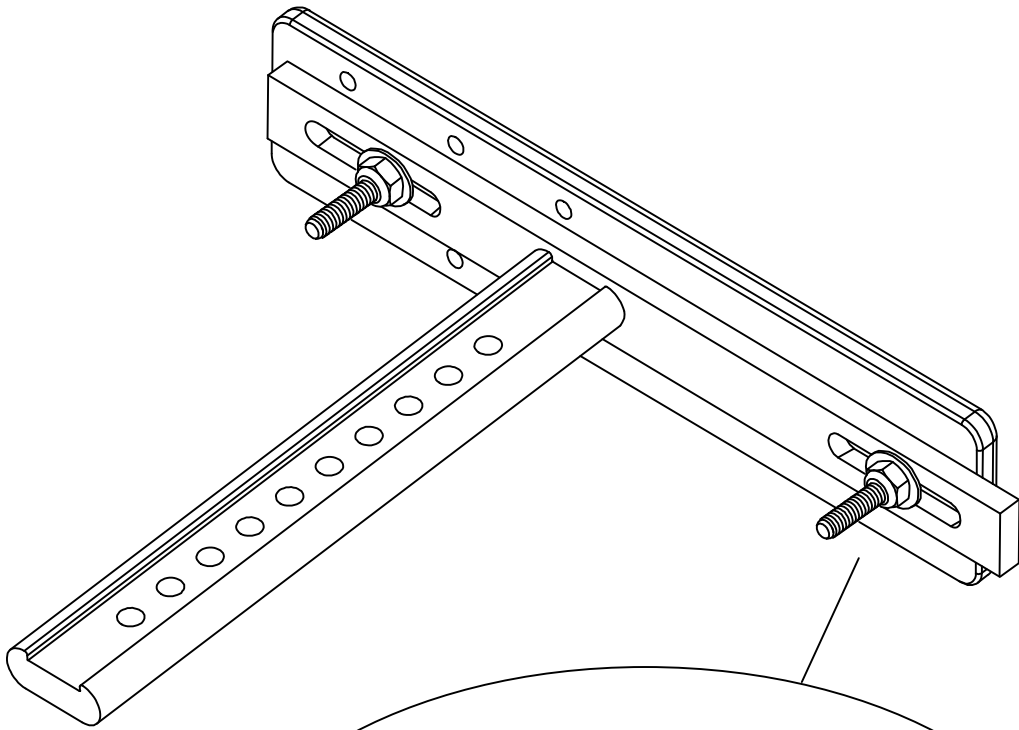
1



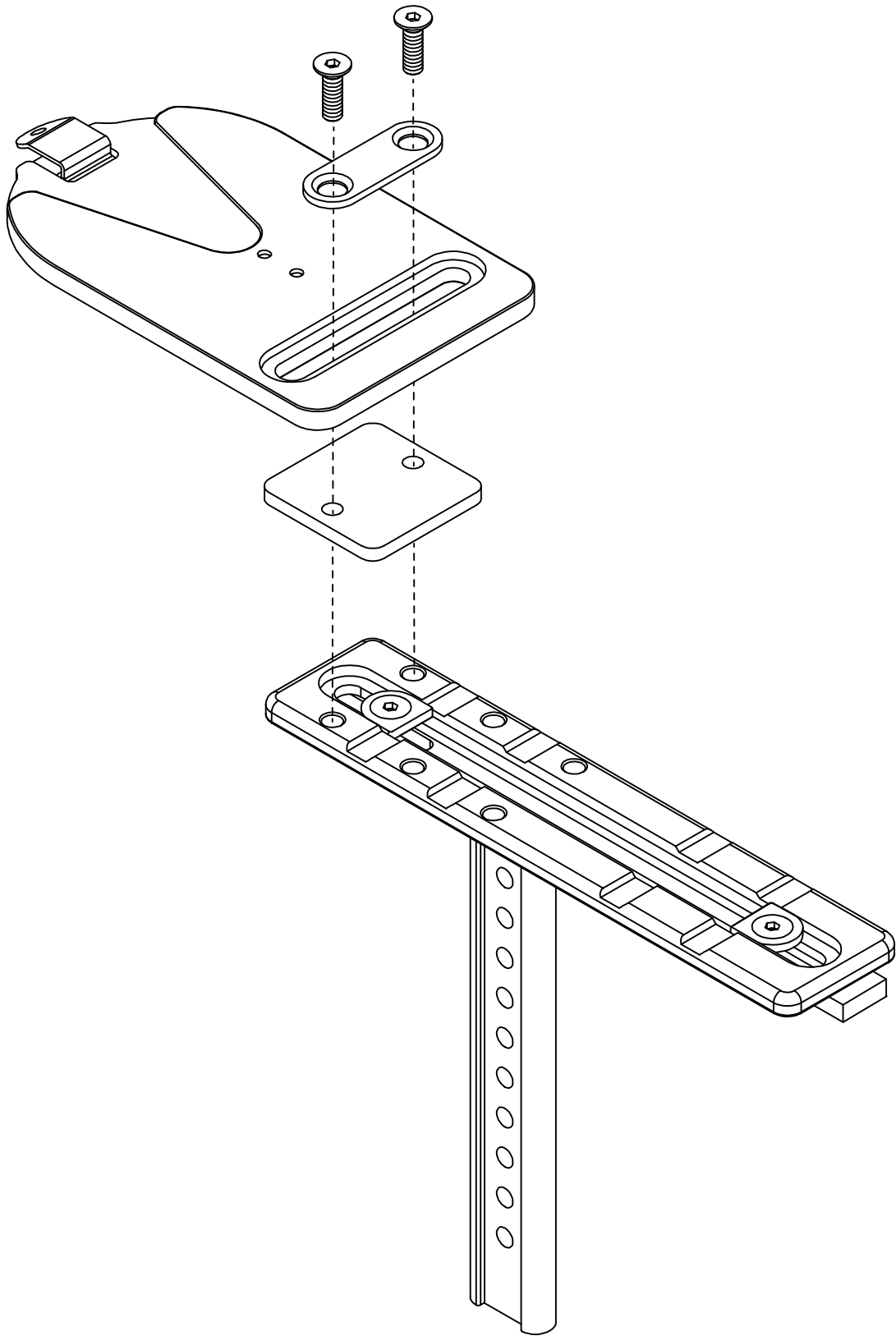
2

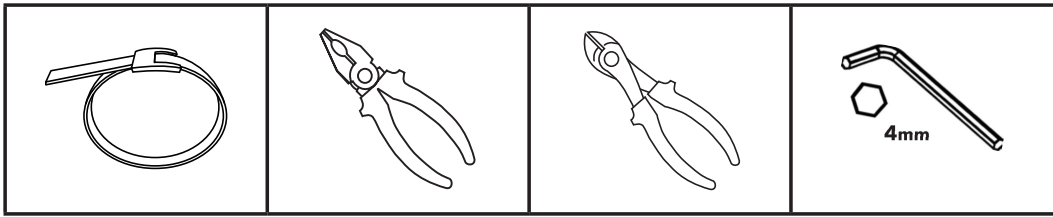


3

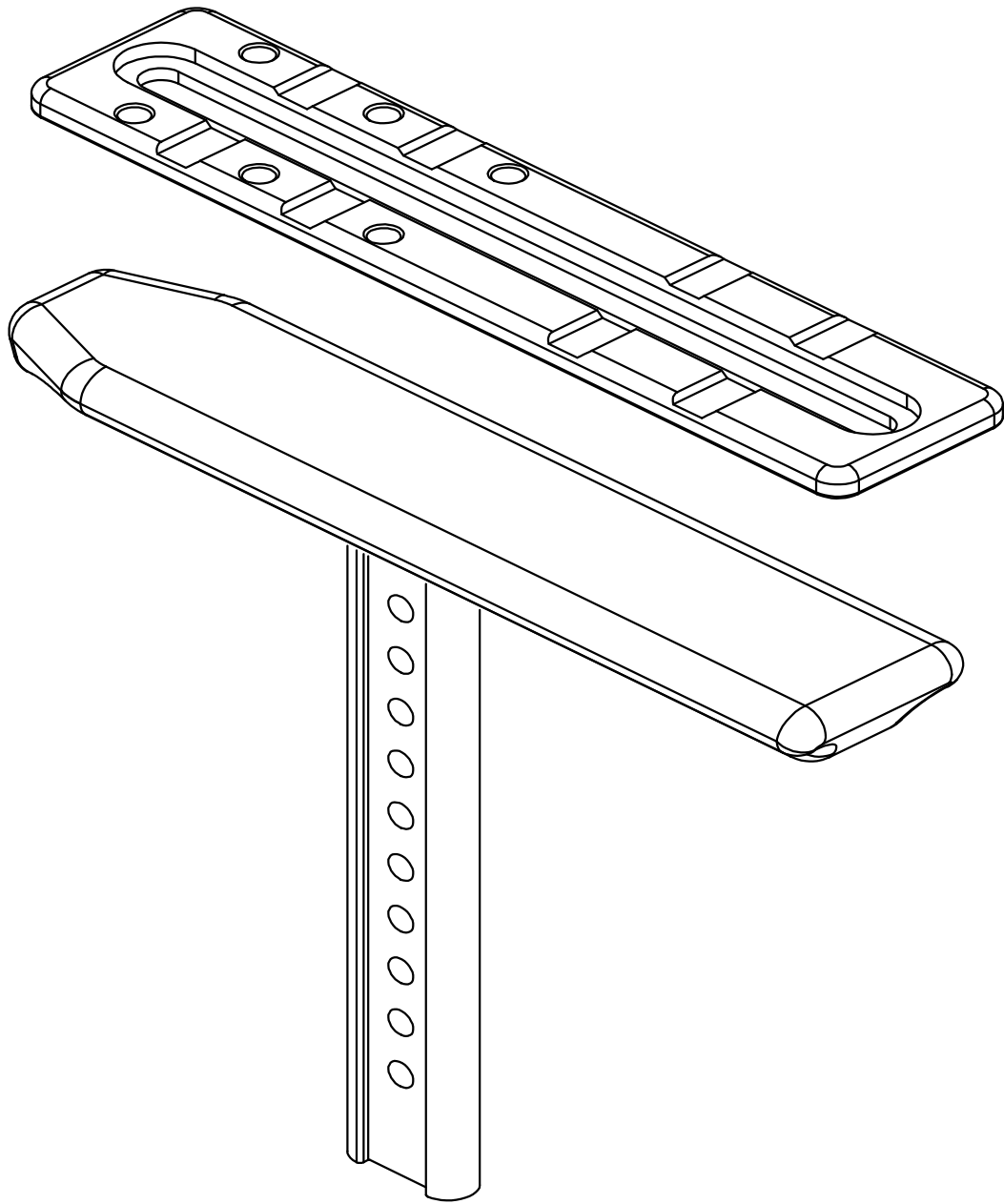


4

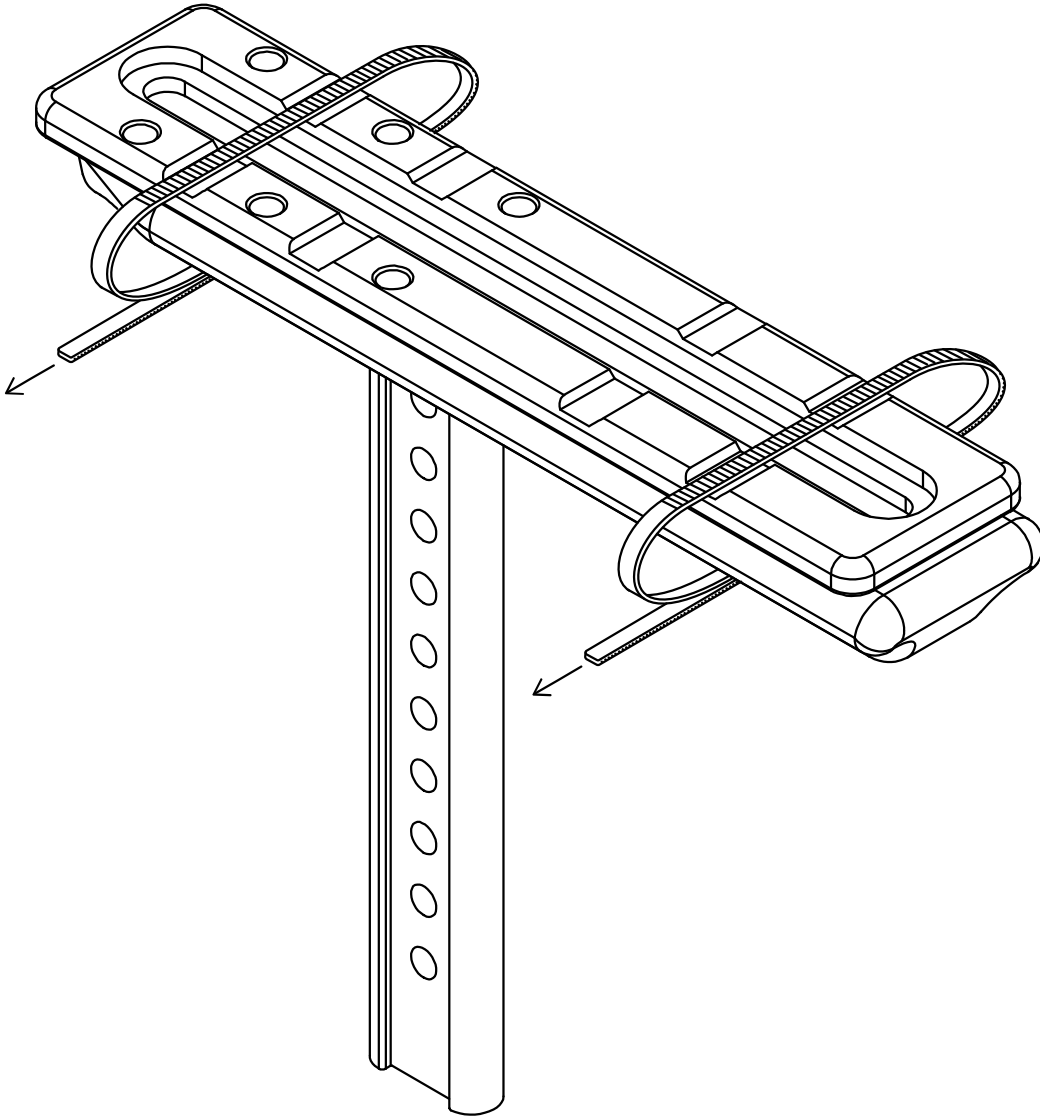




1



2



3

